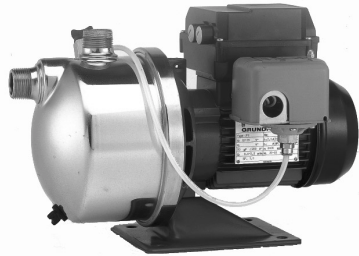


JPS Stainless Steel Shallow Well Jet Pumps

Submittal Data

3400 RPM

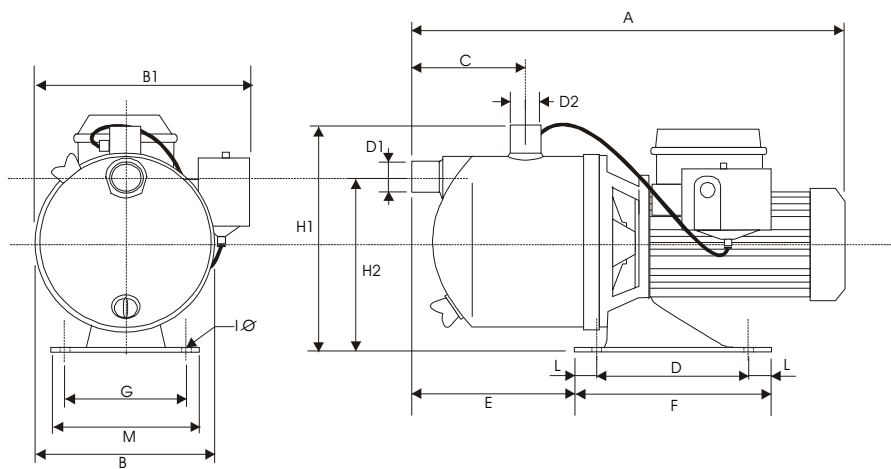
60 Hertz



JOB or CUSTOMER:	
ENGINEER:	
CONTRACTOR:	
SUBMITTED BY:	DATE:
APPROVED BY:	DATE:
ORDER NO:	DATE:
SPECIFICATION REF:	

QUANTITY	TAG NO.	MODEL NO.	GPM	FEET	VOLT	PHASE	COMMENT

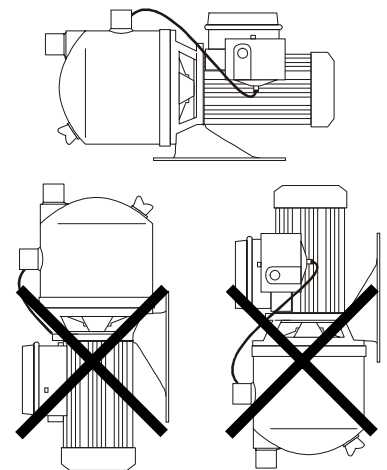
Dimensions



Technical Data

FLOW RANGE: 2.6 - 30 GPM
MOTOR: I.E.C
MAX. FLUID TEMPERATURE: 95°F
DEPTH TO WATER (LIFT): to 25 ft
MAX. WORKING PRESSURE: 110 psig

Mounting Position



Electrical Data, Dimensions, and Weights:

Pump Type	Motor				D1 Suct. NPT	D2 Disch. NPT	Dimension (inches)														Ship Wt. (Lbs)	Ship Vol. (Cu Ft.)
	HP	S.F.	PH	Volts			A	B	B1	C	D	E	F	G	H1	H2	L	IØ				
JPS2	½	1.5	1	115 or 230	1"	1"	14.8	7.5	9.3	3.7	5.4	4.8	7.1	4.3	9.1	7.0	0.83	0.42	24.0	1.5		
JPS4	1	1.36	1	115 or 230	1"	1"	15.6	7.5	9.3	3.7	5.4	4.8	7.1	4.3	9.1	7.0	0.83	0.42	30.0	1.5		

Stainless Steel Jet Performance Chart

MODEL	HP	Depth To Water	Discharge Pressure (PSI)							Shut-off (PSI)	Pressure Switch Setting (PSI)
			20	30	35	40	45	50	55		
			Capacity (GPM)*								
JPS2	1/2	5	15	13	11	8	6	4	2	62	30-50
		10	14	12	10	7	5	3	1	59.5	
		15	13	11	9	6	4	2		57	
		20	10	10	8	5	3	1		54.5	
		25	8	8	7	4	2			52	
JPS4	1	5	30	27	22	17	14	10	7	68	30-50
		10	26	23	21	16	13	9	6	65.5	
		15	22	21	20	15	12	8	5	63	
		20	18	17	16	14	11	7	4	60.5	
		25	14	13	13	12	11	6	3	58	

NOTES: *Capacities given are for near sea level installations.

Materials of Construction

DESCRIPTION	MATERIAL
Motor Stool	Cast Iron
Shaft Seal	Carbon/Ceramic/NBR
O-Rings & Gaskets	NBR
Base Plate	Steel
Pump Housing (Cap)	Stainless Steel AISI304
Impeller	Technopolymer A
Tubing	Polyethylene
Seal Plate	Stainless Steel AISI304
Ejector/Guide Vane	Technopolymer A

GRUNDFOS®



Leaders in Pump Technology

Grundfos Pumps Corporation • 3131 N. Business Park Avenue • Fresno, CA 93727

Customer Service Centers: Allentown, PA • Fresno, CA

Phone: (559) 292-8000 • Fax: (559) 291-1357

Canada: Oakville, Ontario • Mexico: Apodaca, N.L.



Visit our website at www.us.grundfos.com

L-JP-TL-004	2/00
PRINTED IN USA	