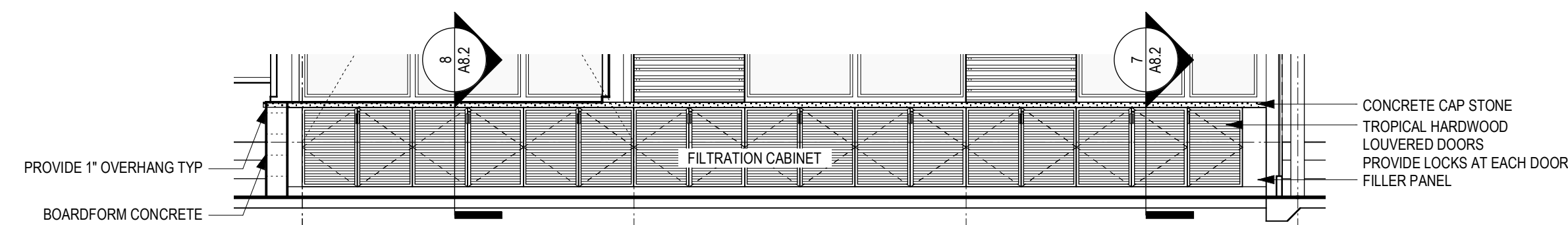
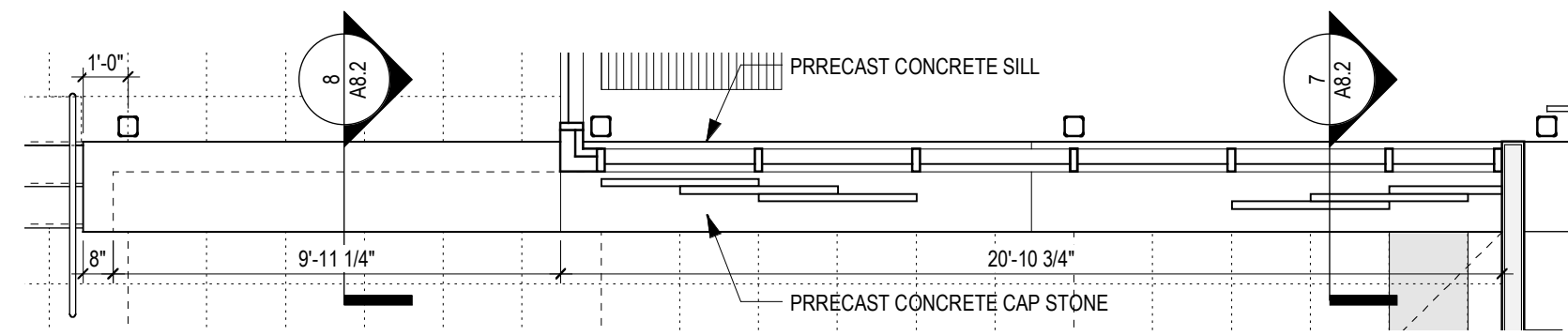


This work was performed by me or under my supervision and construction of this project will be under my observation (observation of construction as defined in section 10-115.2 of the rules and regulations of the Board of Professional Engineers, Architects and Surveyors of the State of Hawaii).

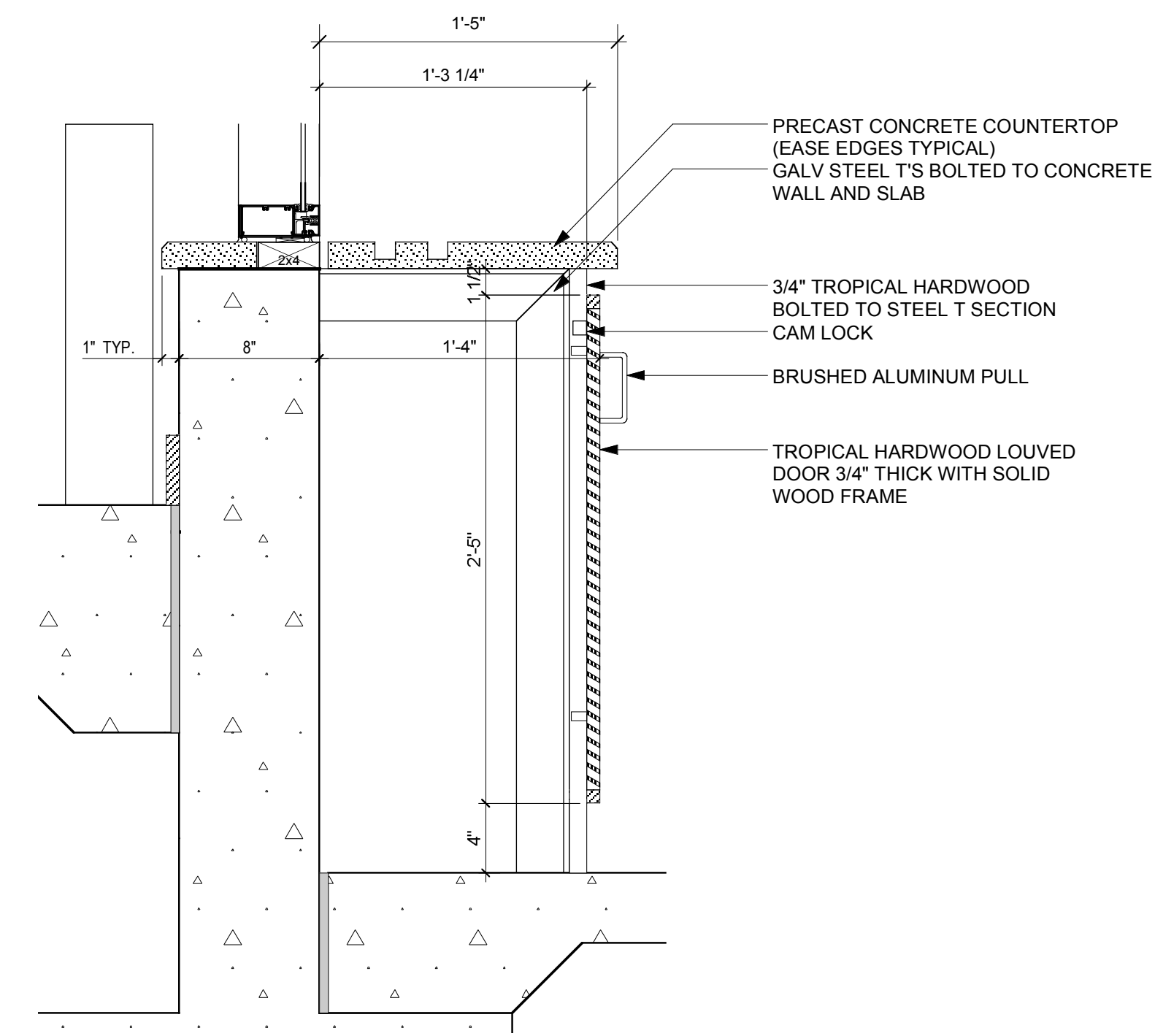
Duncan P. McClelland, AIA  
Architect License No. 13148, Expires 4/30/2010



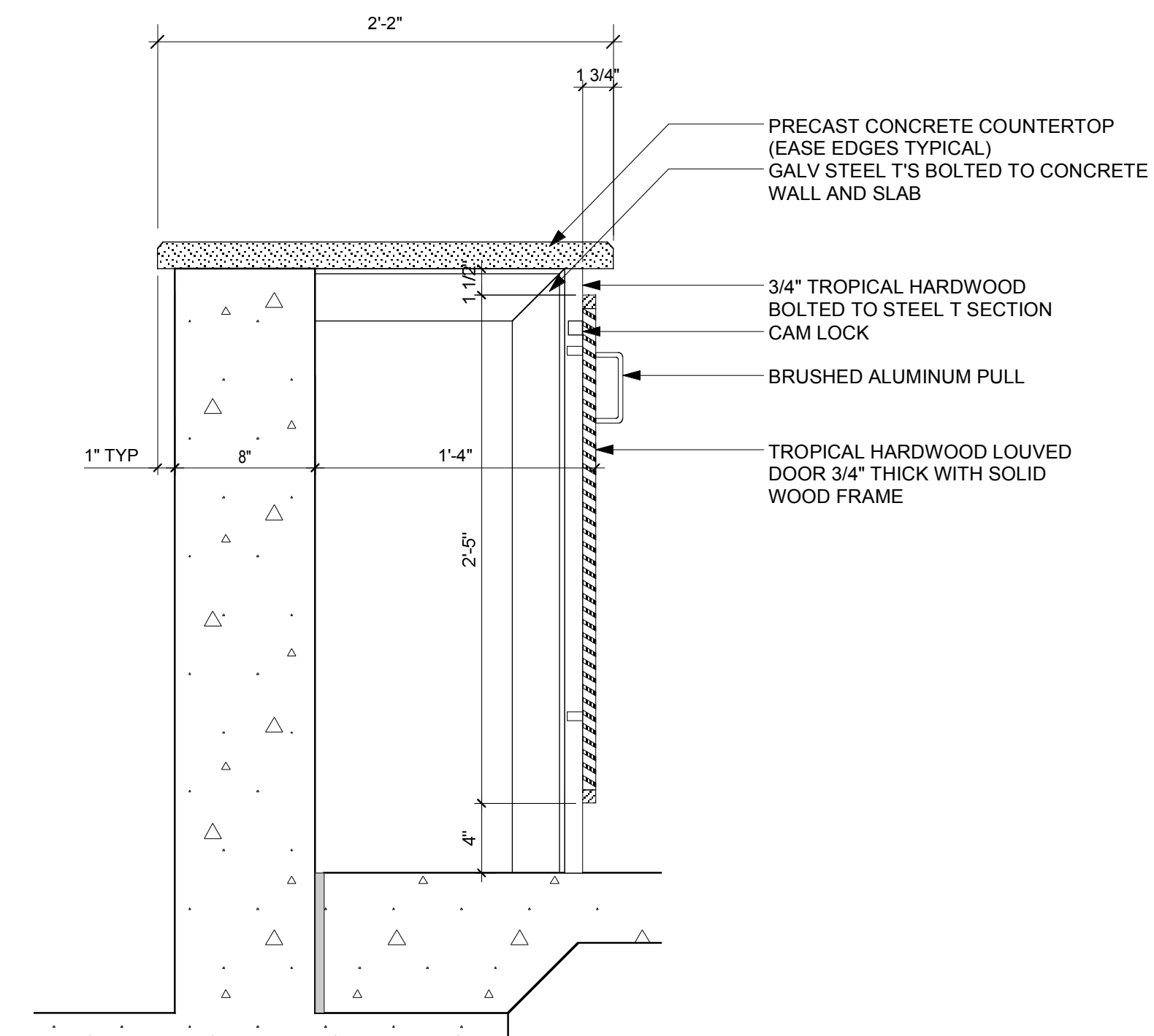
1 FILTRATION CABINET ELEVATION  
1/2"=1'-0"



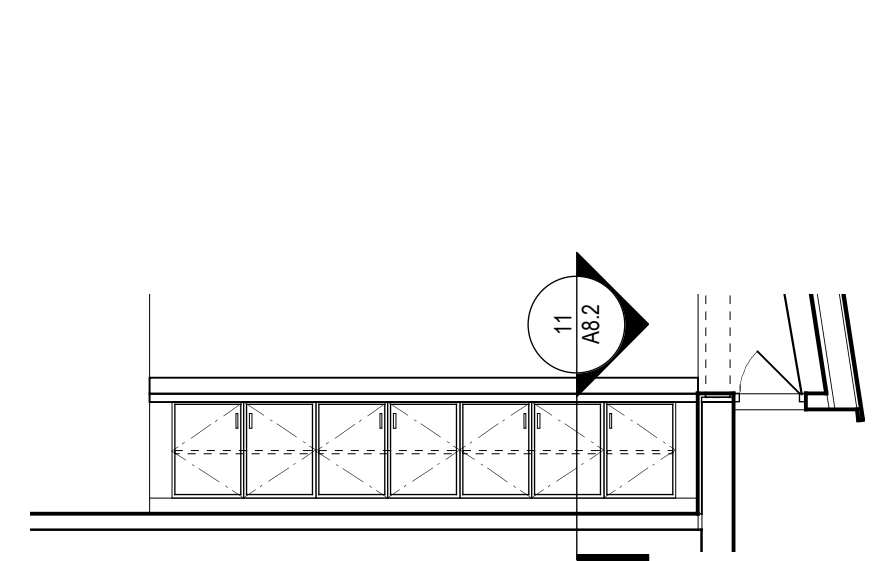
3 FILTRATION CABINET PLAN  
1/2"=1'-0"



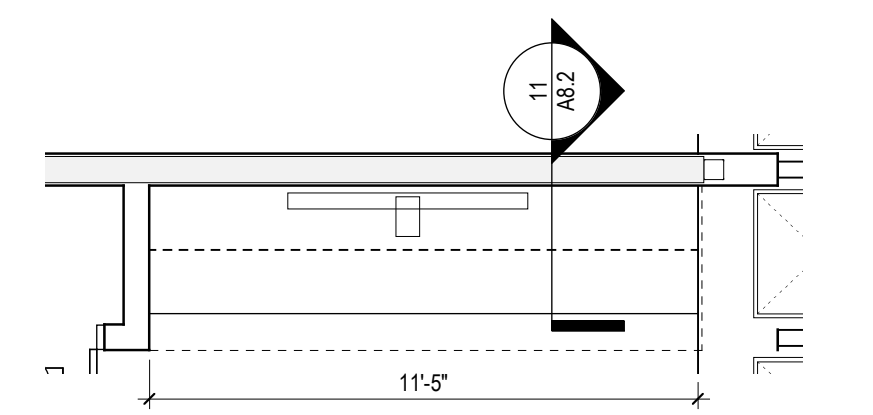
7 EXTERIOR CABINET SECTION  
1 1/2"=1'-0"



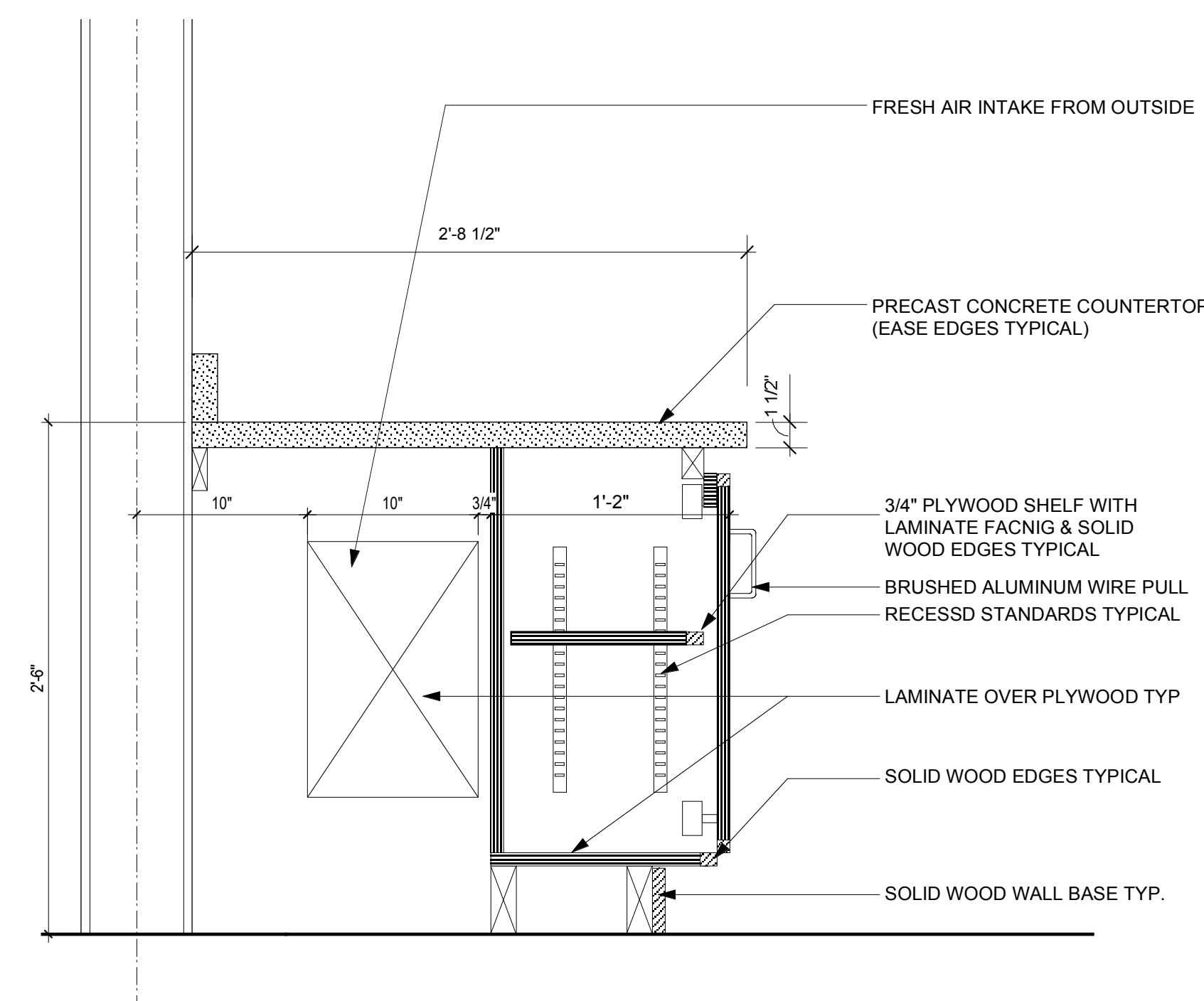
8 EXTERIOR CABINET SECTION  
1 1/2"=1'-0"



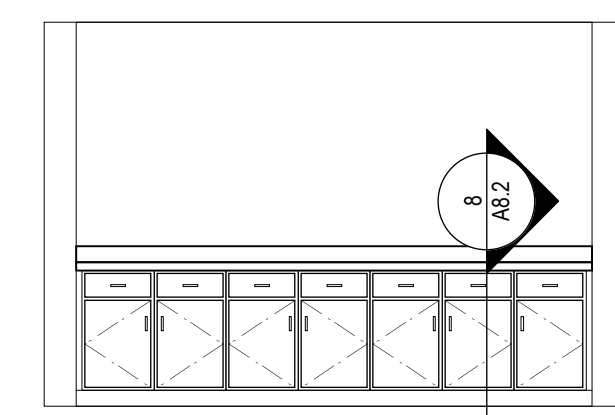
9 CONFERENCE ROOM CABINET ELEVATION  
1/2"=1'-0"



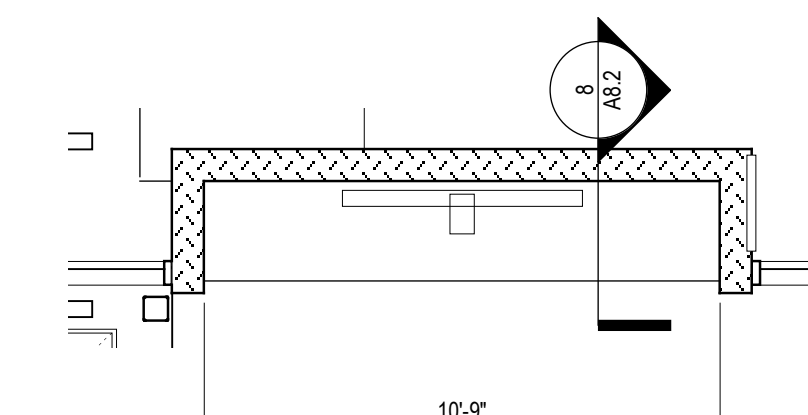
10 CONFERENCE ROOM CASEWORK PLAN  
1/2"=1'-0"



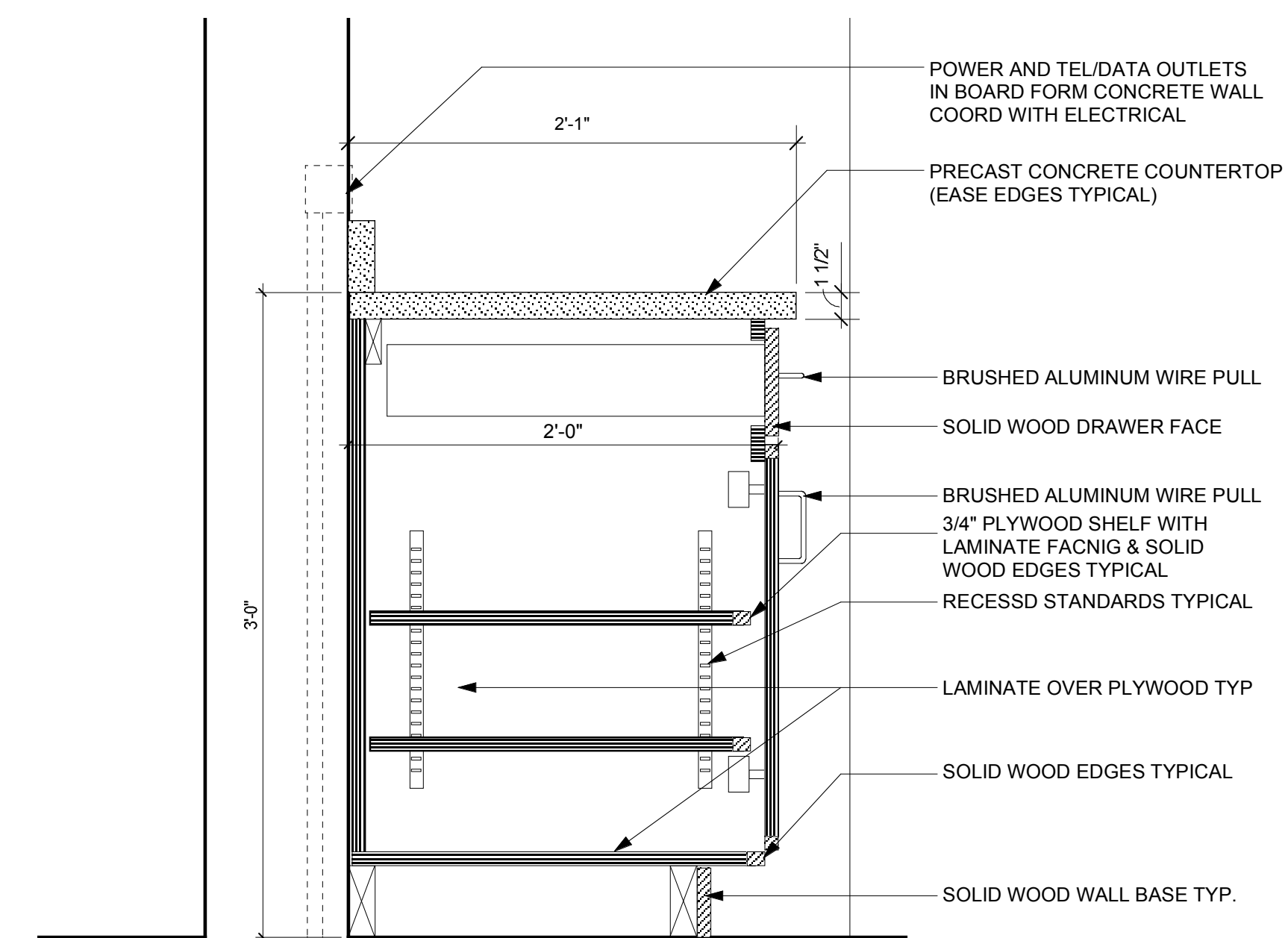
11 CONFERENCE ROOM CABINET SECTION  
1/2"=1'-0"



12 CONFERENCE ROOM CABINET ELEVATION  
1/2"=1'-0"

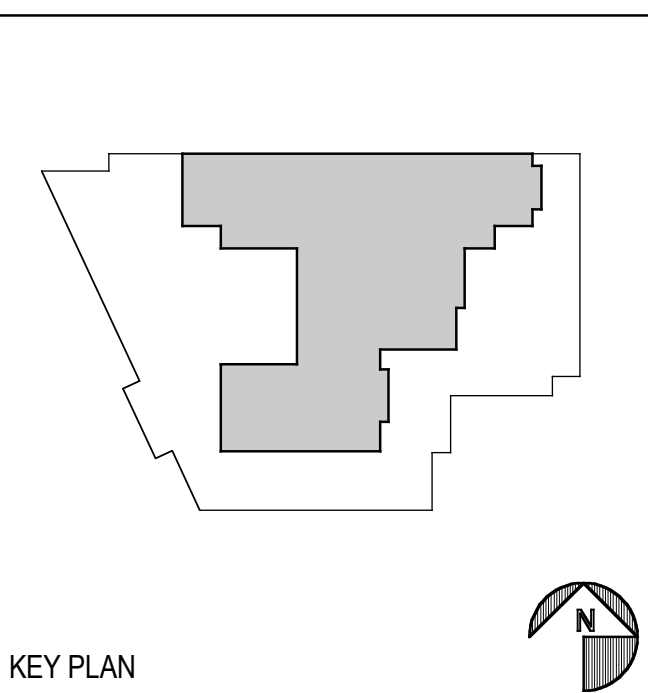


13 CONFERENCE ROOM CASEWORK PLAN  
1/2"=1'-0"



14 CONFERENCE ROOM CABINET SECTION  
1/2"=1'-0"

ADD. No.	Description of Revision	Date



**MILLWORK DETAILS**

Drawn by:	BF	Job Number:	2804.00
Checked by:	BF	Scale:	
Plot Date:	16 JAN 2009	Issue Date:	19 JAN 2009