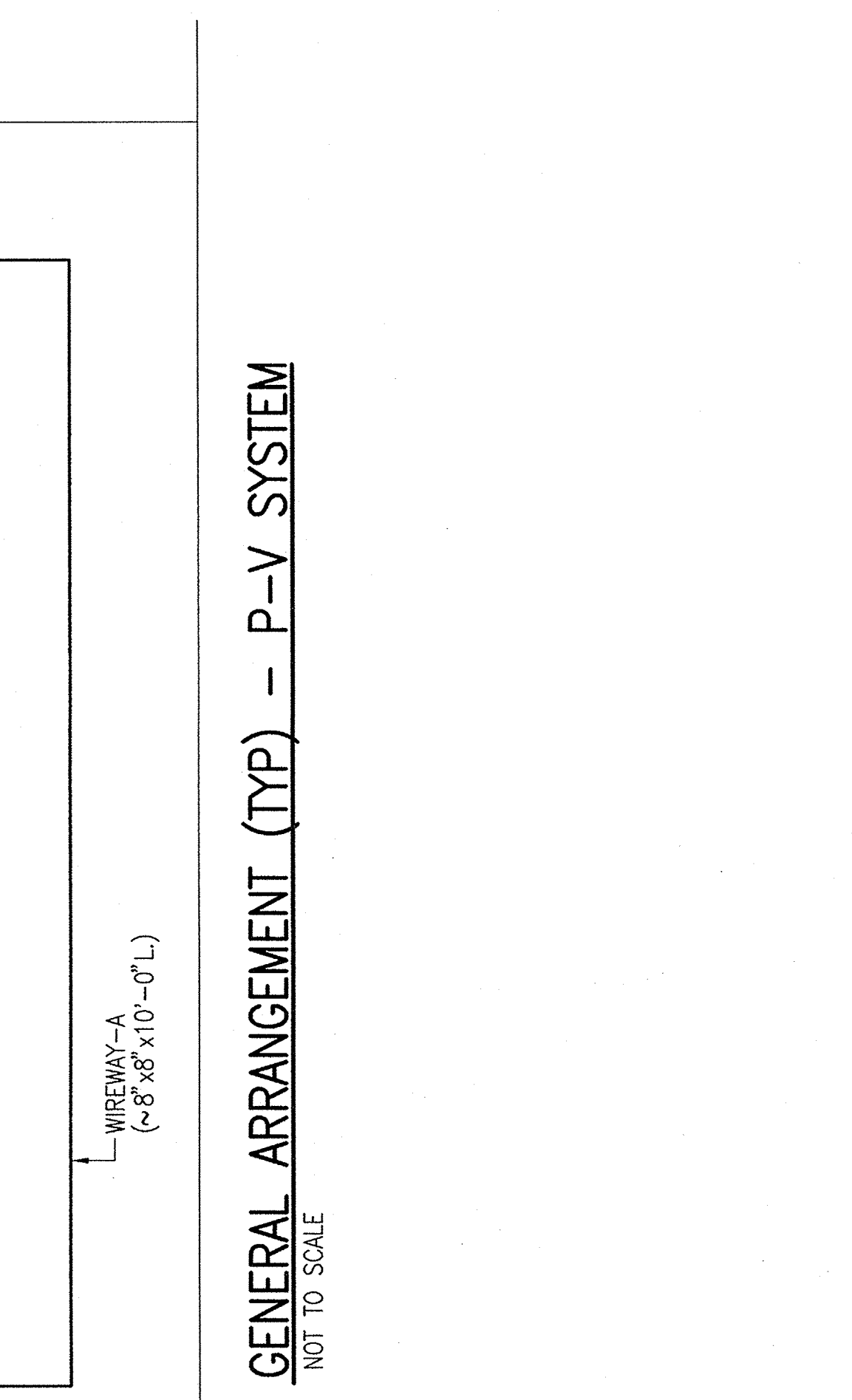


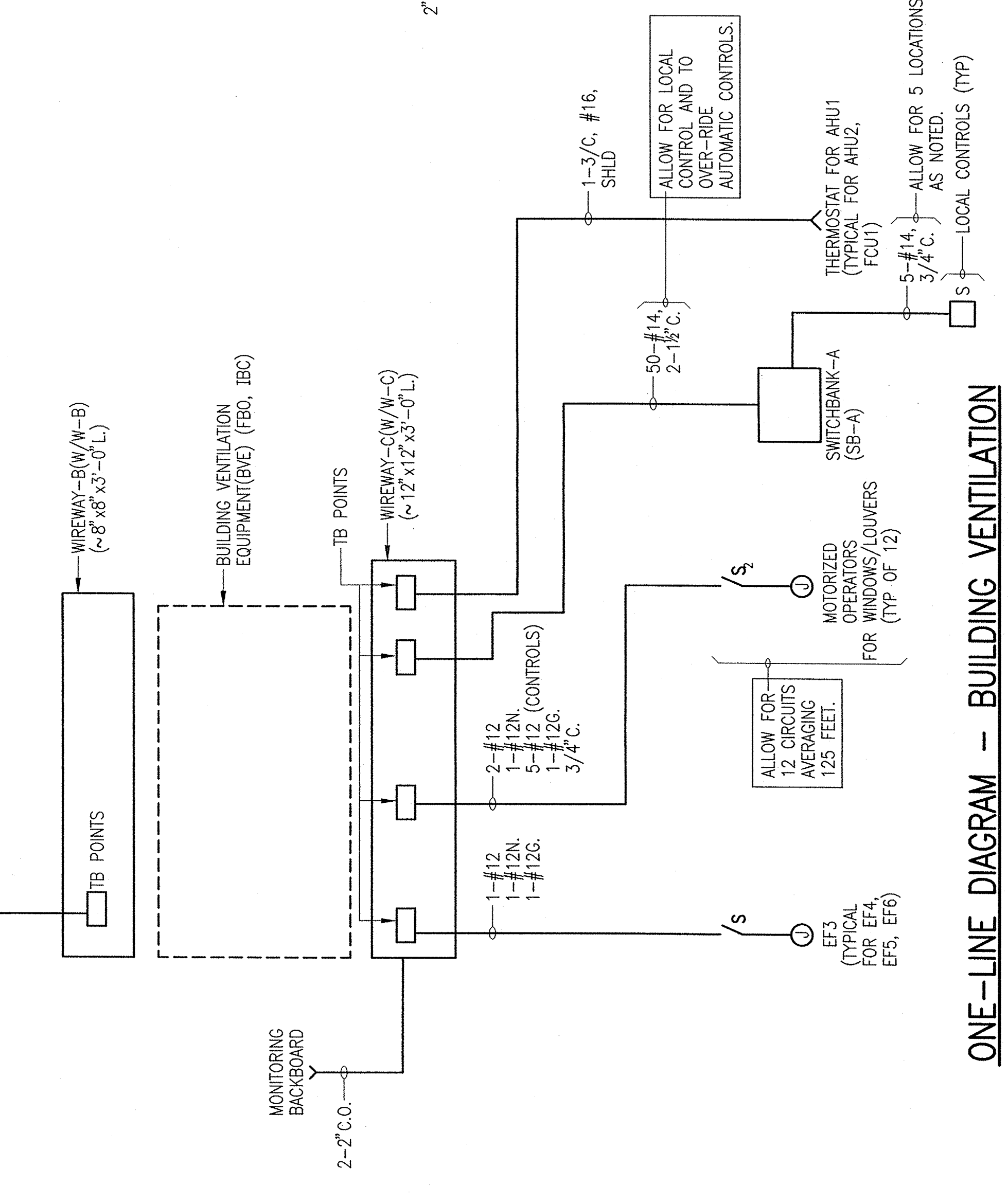
**ONE-LINE DIAGRAM - PHOTO-VOLTAIC (P-V) SYSTEM**

WIRE SIZE	LOC. / NETMETER	SERVICE	AMP	CR. / BR.	NO. / CIR. / BKE.	NO. / POLE / AMP	SERVICE	WIRE SIZE
#6	INVERTER-A	60	1	A	2	1	PFEB	#6
#6	INVERTER-B	60	1	B	4	1	PFEB	#6
#6	INVERTER-C	60	1	C	6	1	PFEB	#6
#6	INVERTER-A	60	1	A	8	1	PFEB	#6
#6	INVERTER-B	60	1	B	10	1	PFEB	#6
#6	INVERTER-C	60	1	C	12	1	PFEB	#6
#6	INVERTER-A	60	1	A	14	1	PFEB	#6
#6	INVERTER-B	60	1	B	16	1	PFEB	#6
#6	INVERTER-C	60	1	C	18	1	PFEB	#6



**ELECTRICAL PLAN - DISTRIBUTION/AIR CONDITIONING SYSTEM - BASEMENT**  
 1/8" = 1'-0"

**ELECTRICAL PLAN - DISTRIBUTION/AIR CONDITIONING SYSTEM - BASEMENT**  
 1/8" = 1'-0"



**ONE-LINE DIAGRAM - BUILDING VENTILATION**