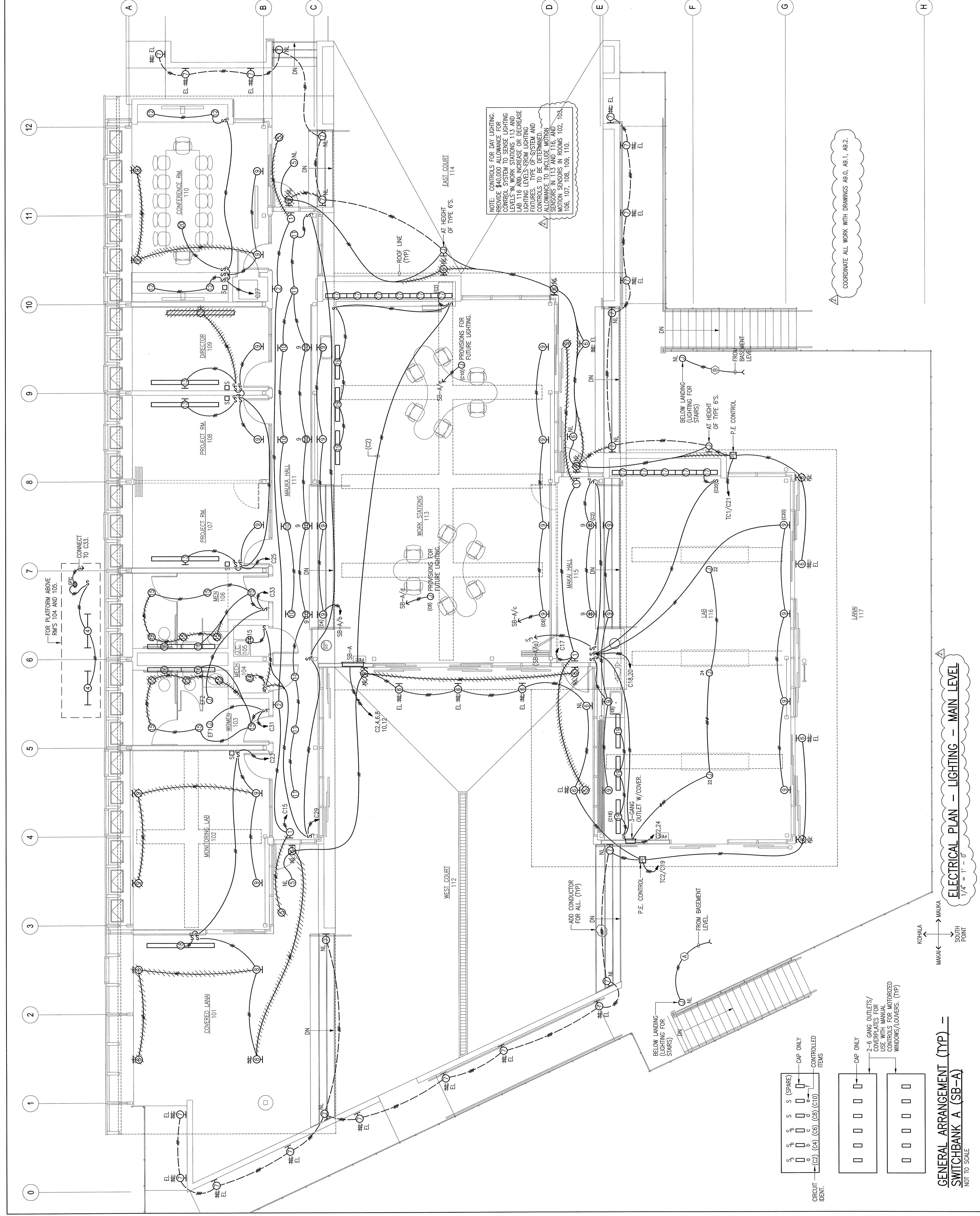


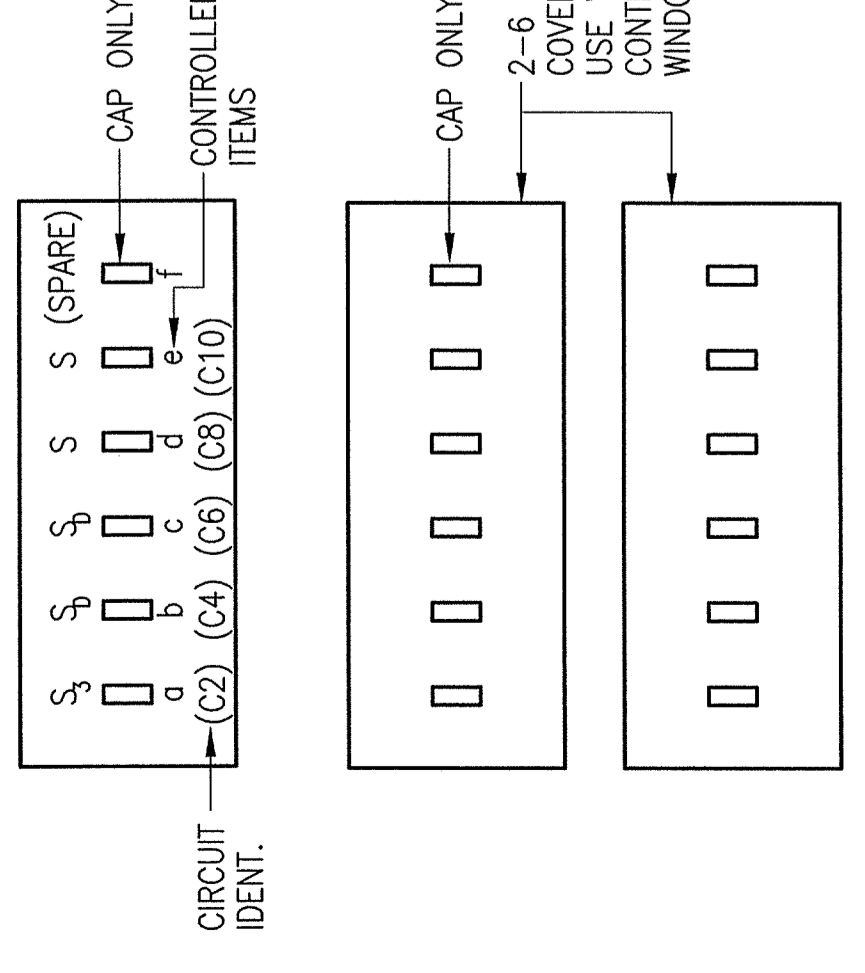
THIS WORK WAS PREPARED BY ME OR UNDER MY SUPERVISION AND WILL BE UNDER MY OBSERVATION.
WALLACE T. OKI, P.E., INC.
ELECTRICAL ENGINEERING
100 WEST 30TH STREET, SUITE 100
NEW YORK, NY 10005
H.O. NO. 8070 PRS-066 808.335-2308
WFO REG. NO. 82008149

ELECTRICAL WORK

Drawn by: Job Number: 2804.00
Checked by: Scale: AS NOTED
Plot Date: Issue Date: 17 OCT 08
PERMIT ISSUE



ELECTRICAL PLAN - LIGHTING - MAIN LEVEL
1/4" = 1'-0"



GENERAL ARRANGEMENT (TYP) - SWITCHBANK A (SB-A)
NOT TO SCALE