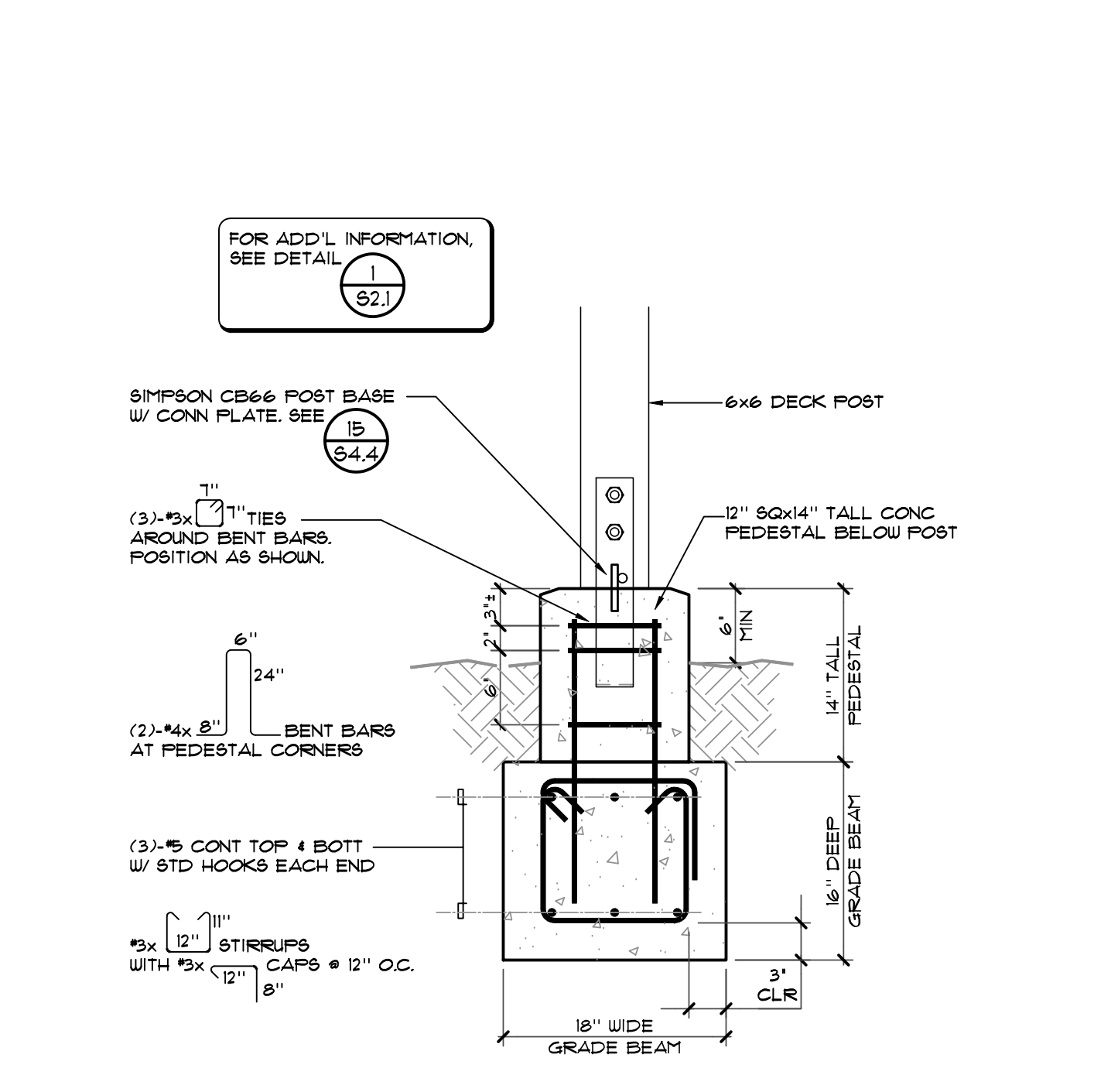
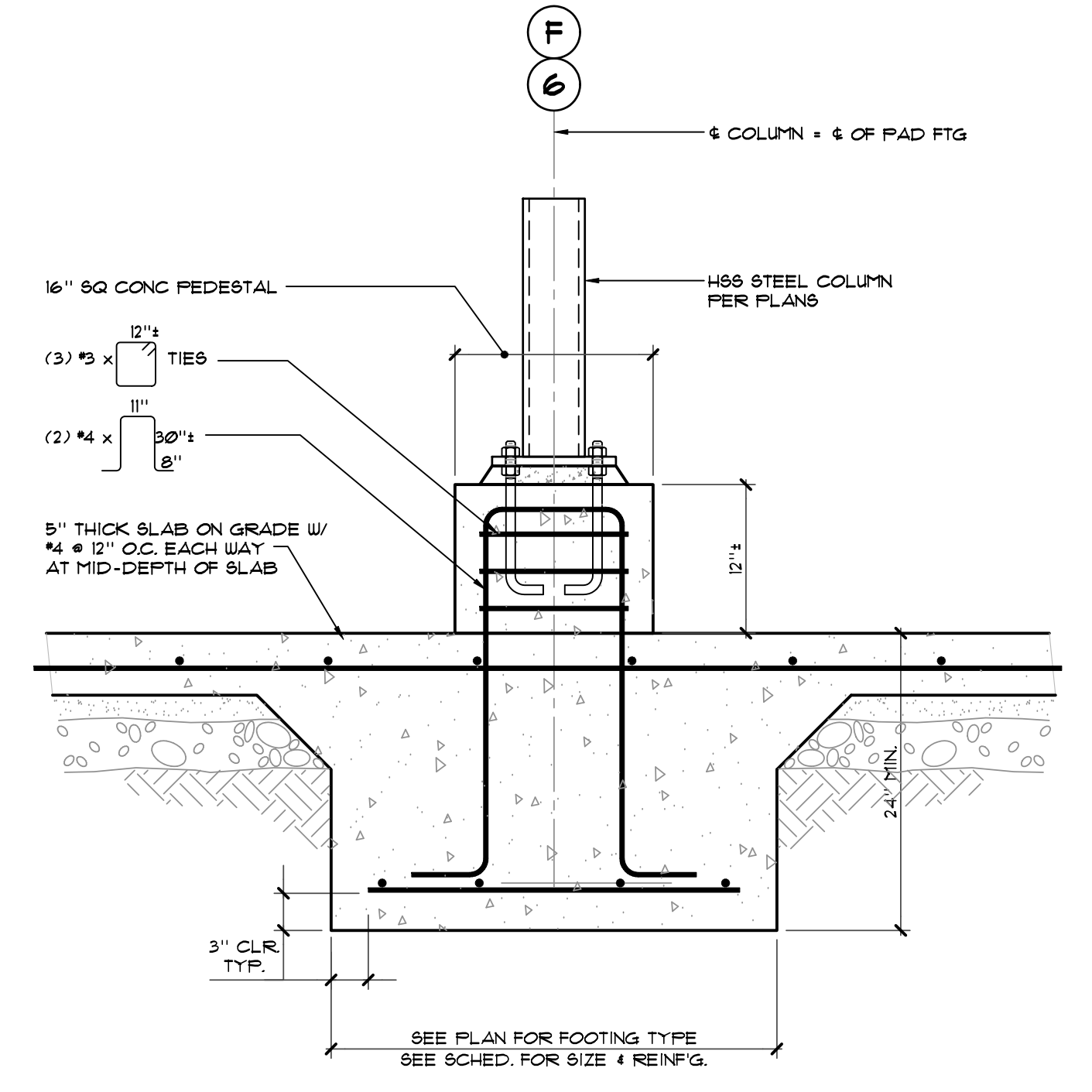


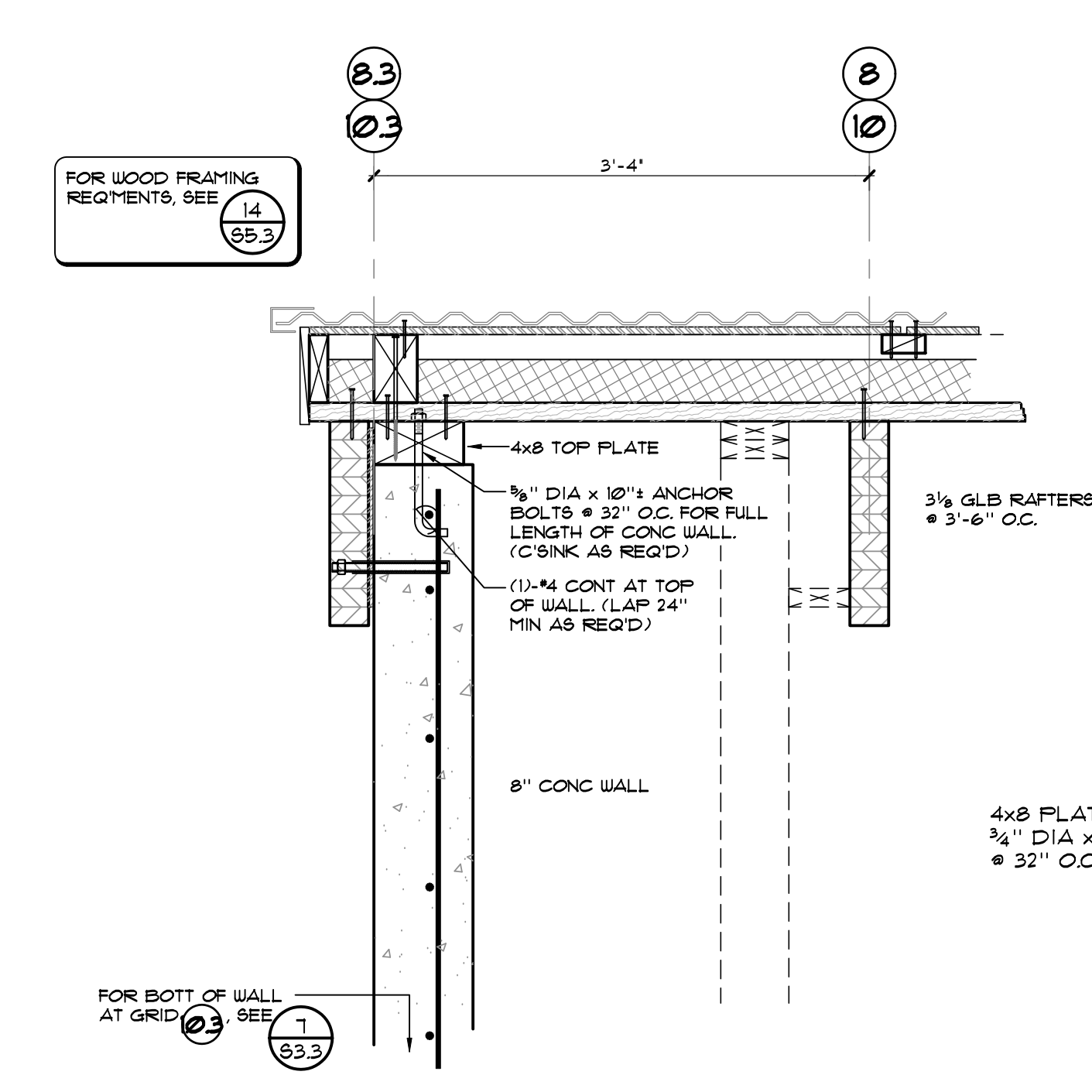
15 FOUNDATION DETAIL: CONCRETE PEDESTAL WHERE DECK POST OCCURS (WITHOUT X-BRACING)  
SCALE: 1" = 1'-0"



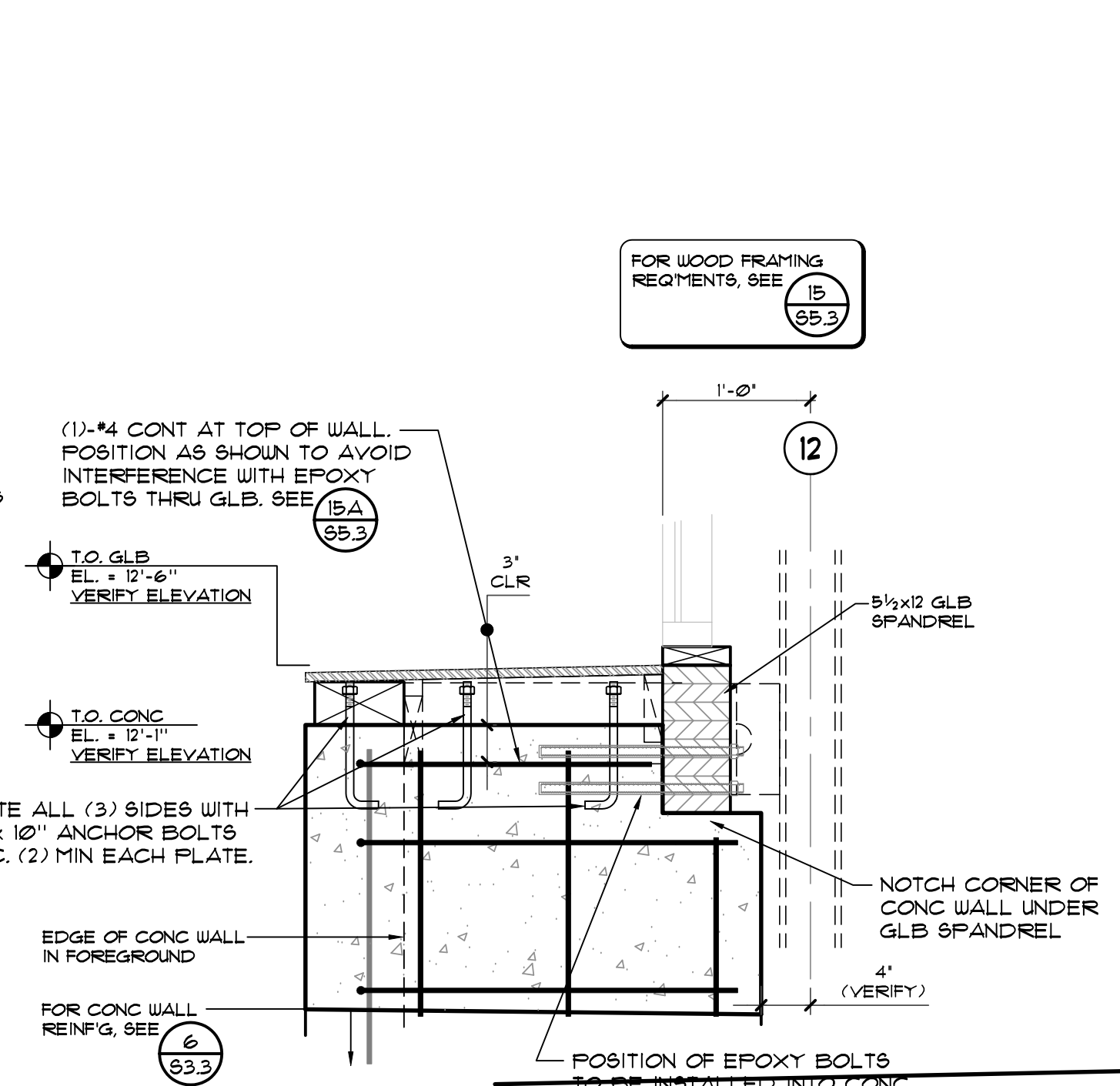
14 FOUNDATION DETAIL: CONCRETE GRADE BEAM & PEDESTAL WHERE DECK X-BRACING OCCURS  
SCALE: 1" = 1'-0"



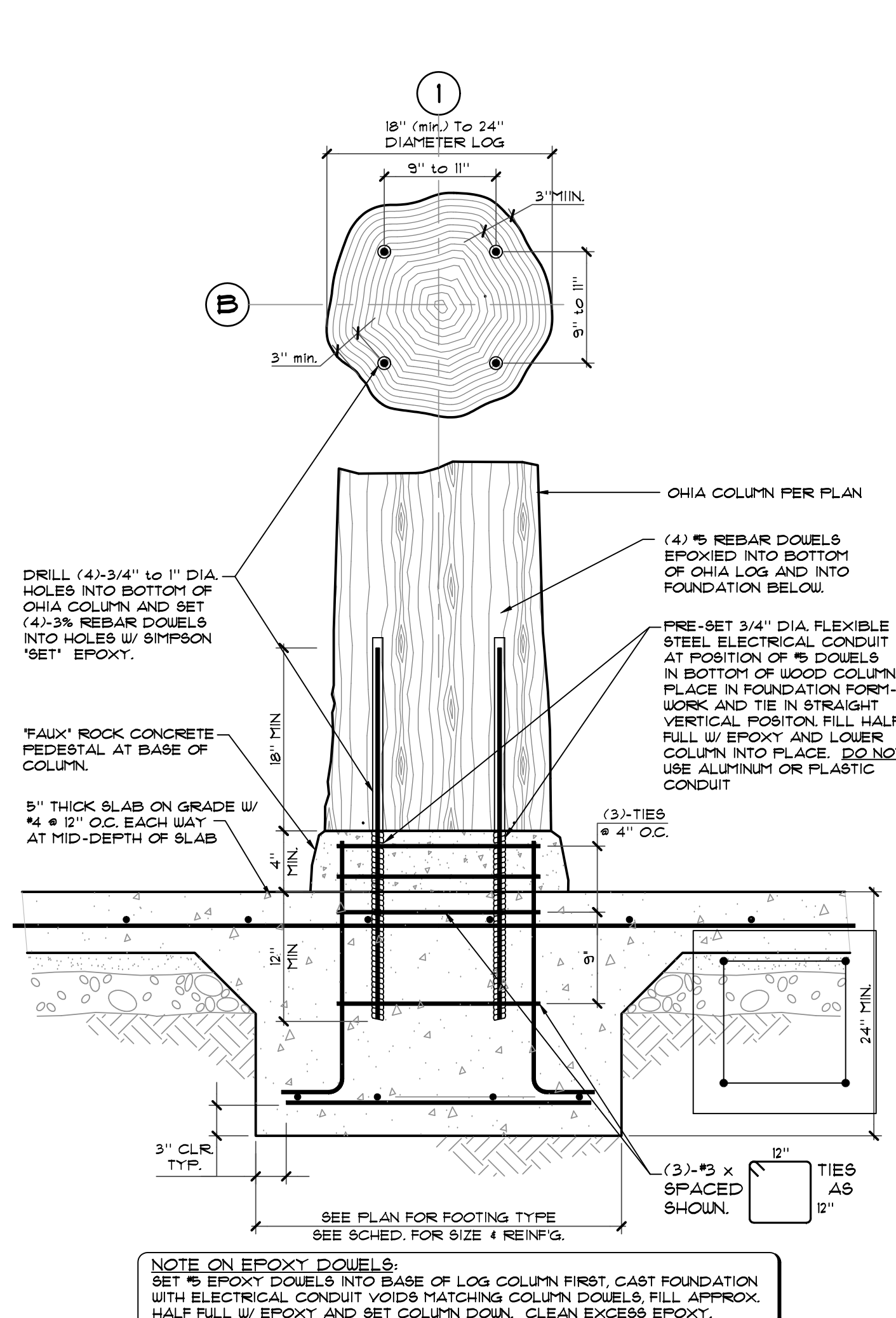
13 FOUNDATION DETAIL: CONCRETE WALL AND FOOTING  
SCALE: 1" = 1'-0"



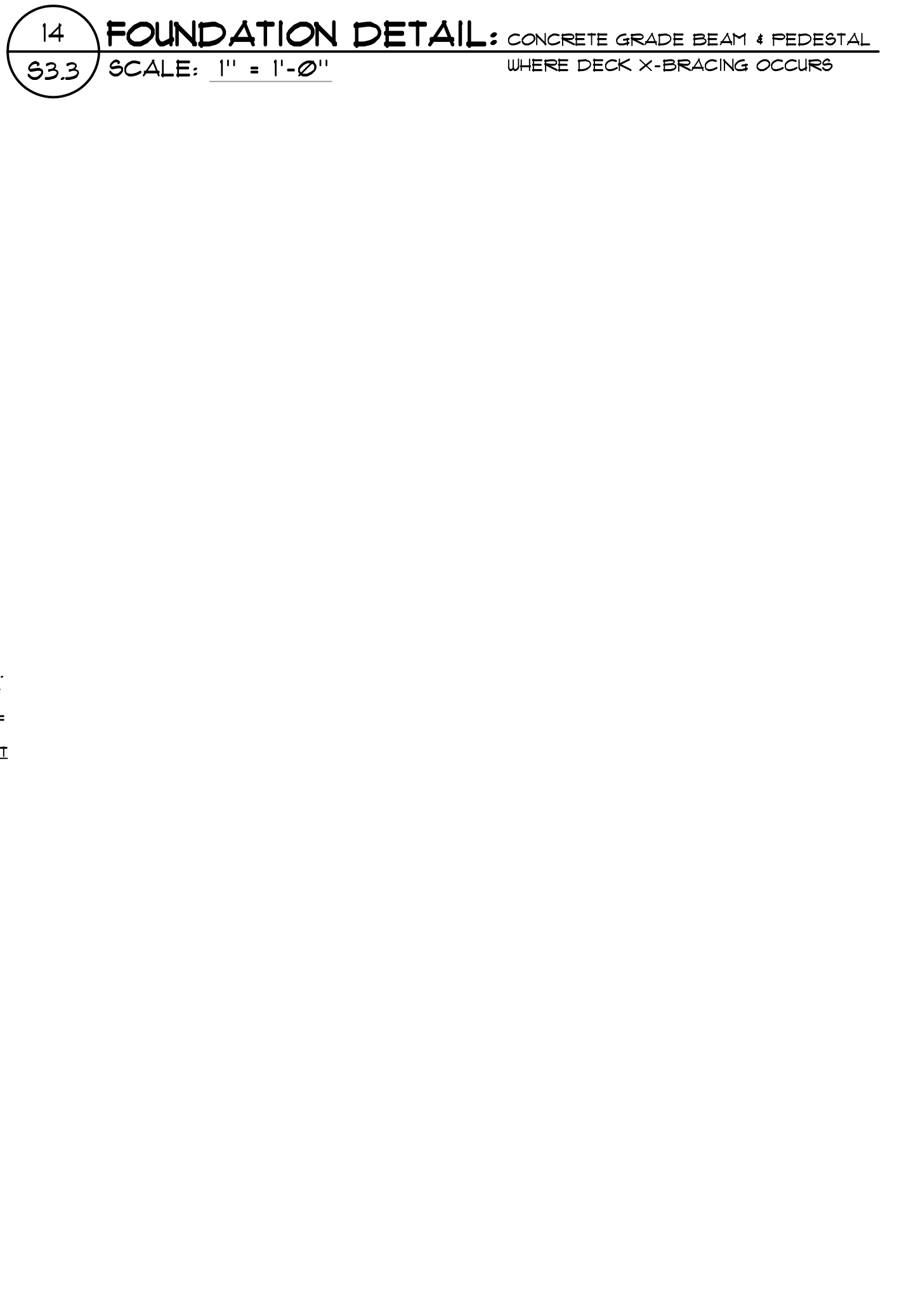
12 FRAMING DETAIL: CONCRETE WALL AT GRIDLINES 12/3 & 12/10  
SCALE: 1" = 1'-0"



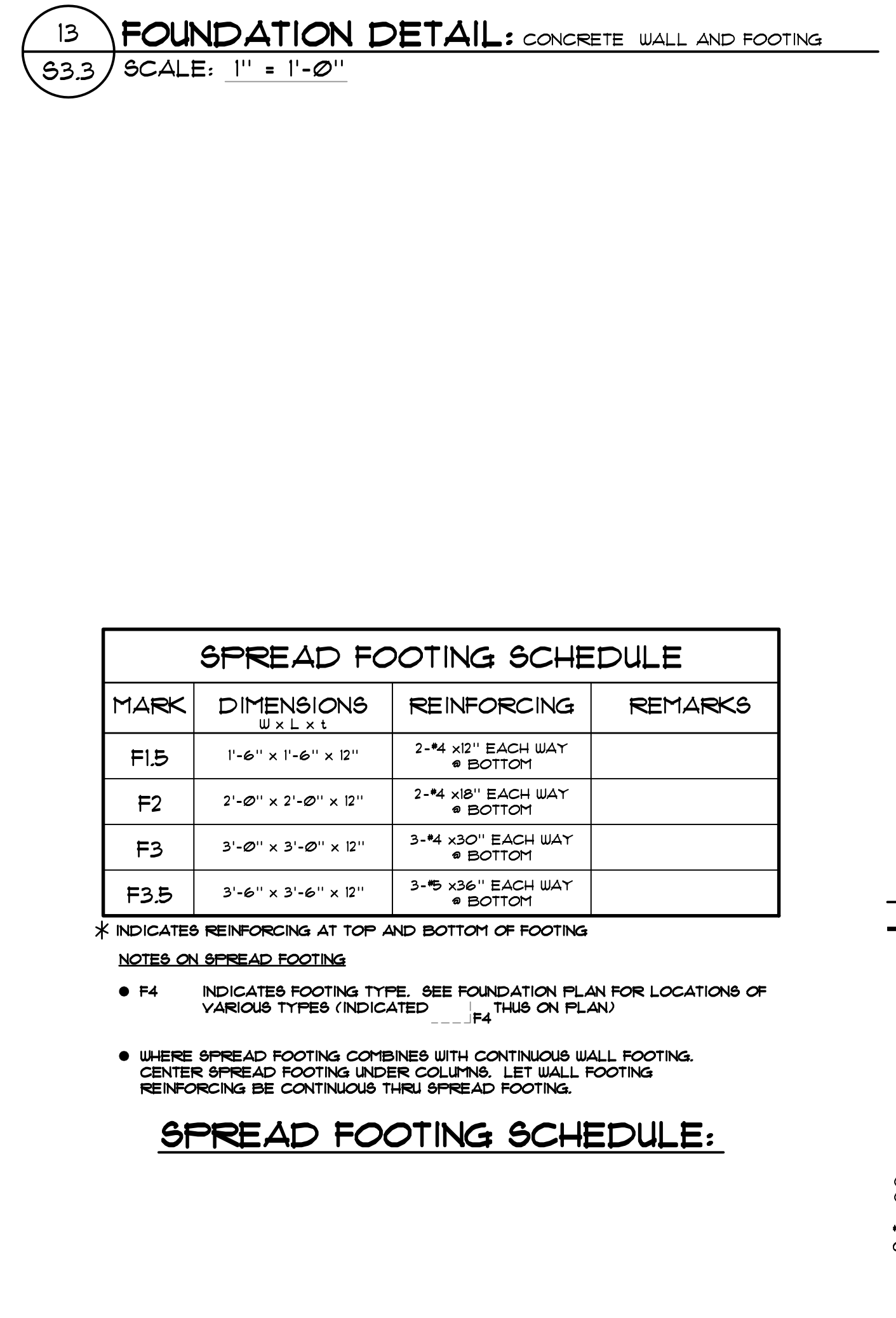
11 FRAMING DETAIL: TOP OF RETURN AT 8" CONCRETE WALL ADJACENT TO GRIDLINE 12  
SCALE: 1" = 1'-0"



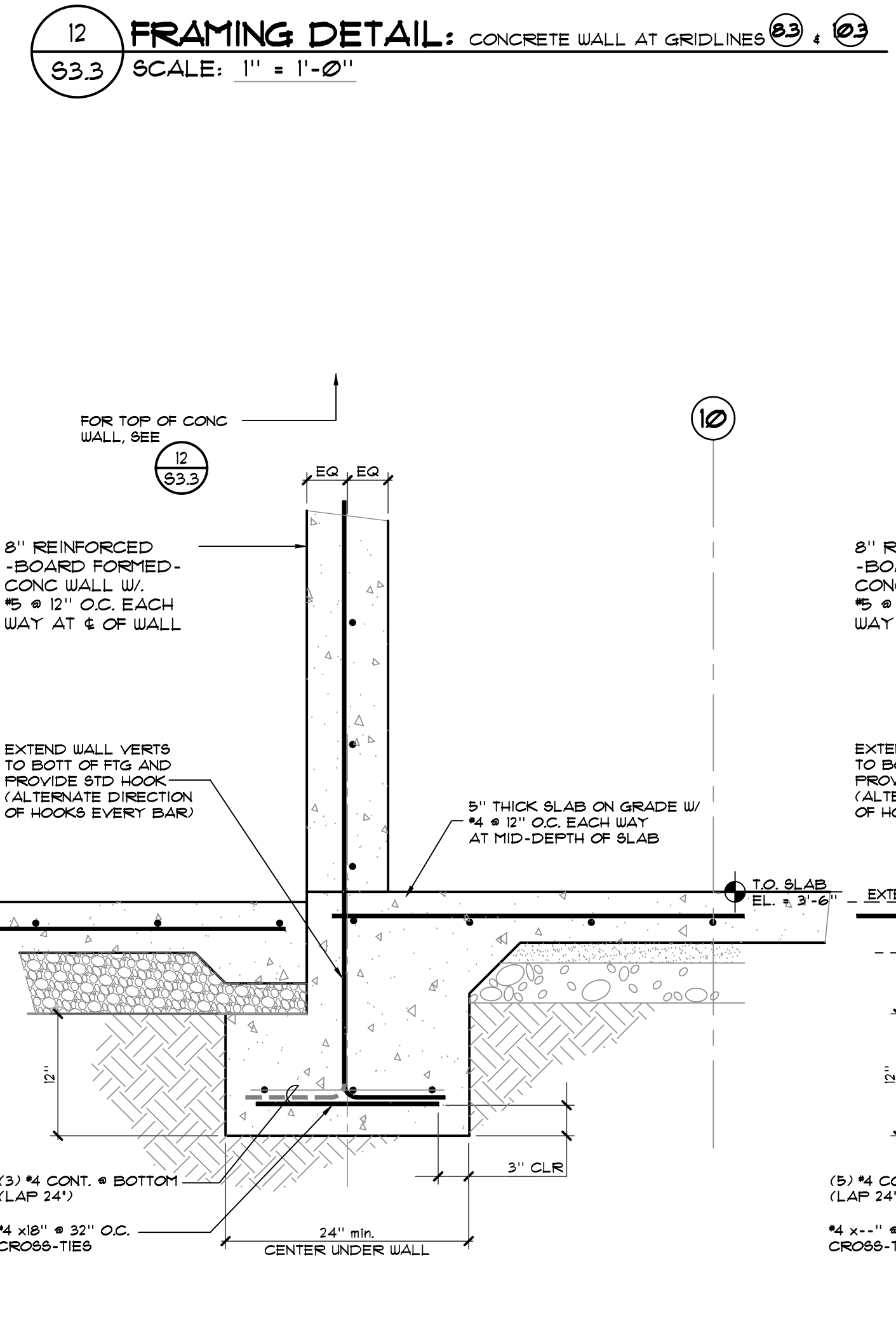
10 FOUNDATION DETAIL: PAD FOOTING AT OHIA COLUMN  
SCALE: 1" = 1'-0"



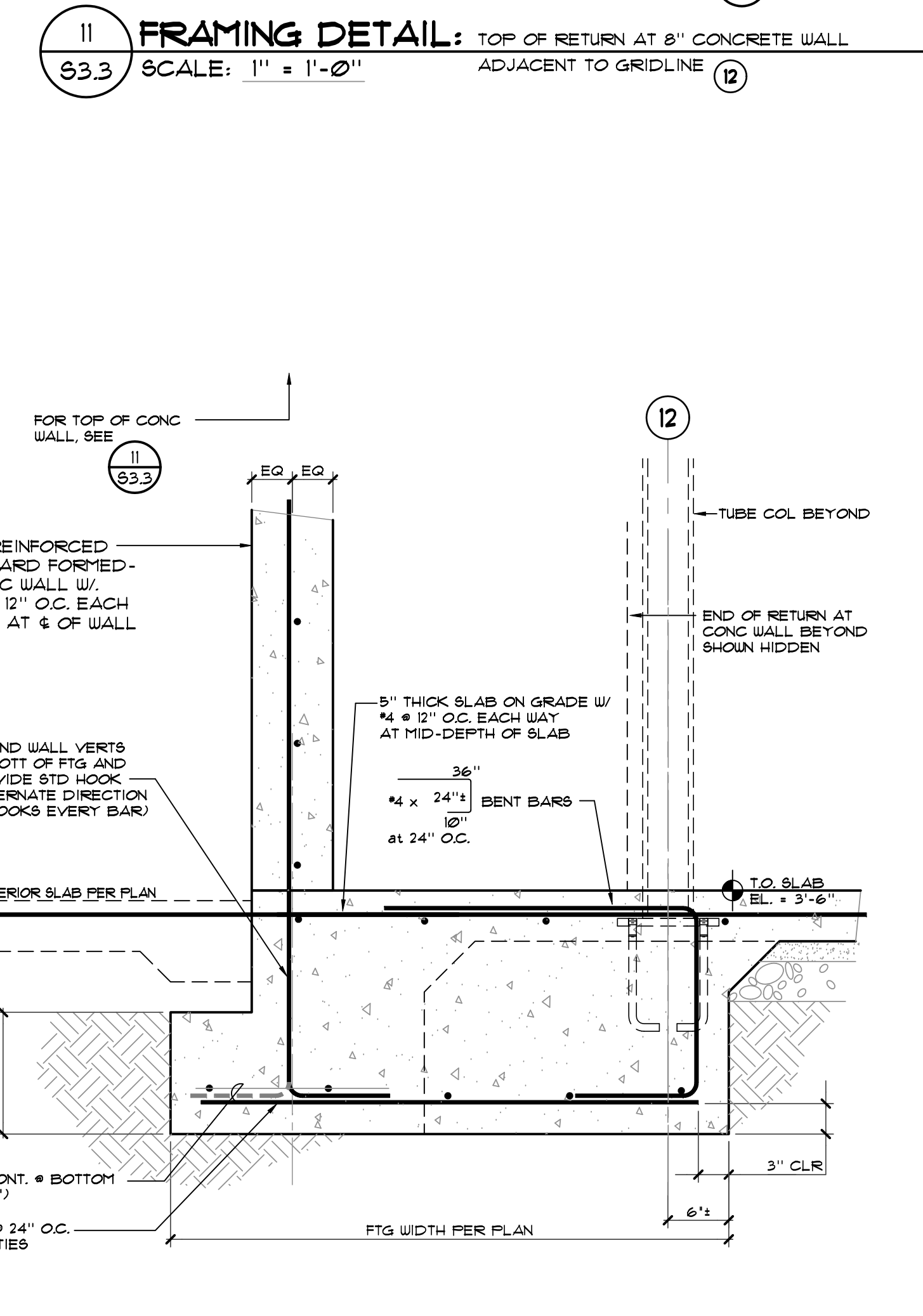
8 SPREAD FOOTING SCHEDULE  
SCALE: 1" = 1'-0"



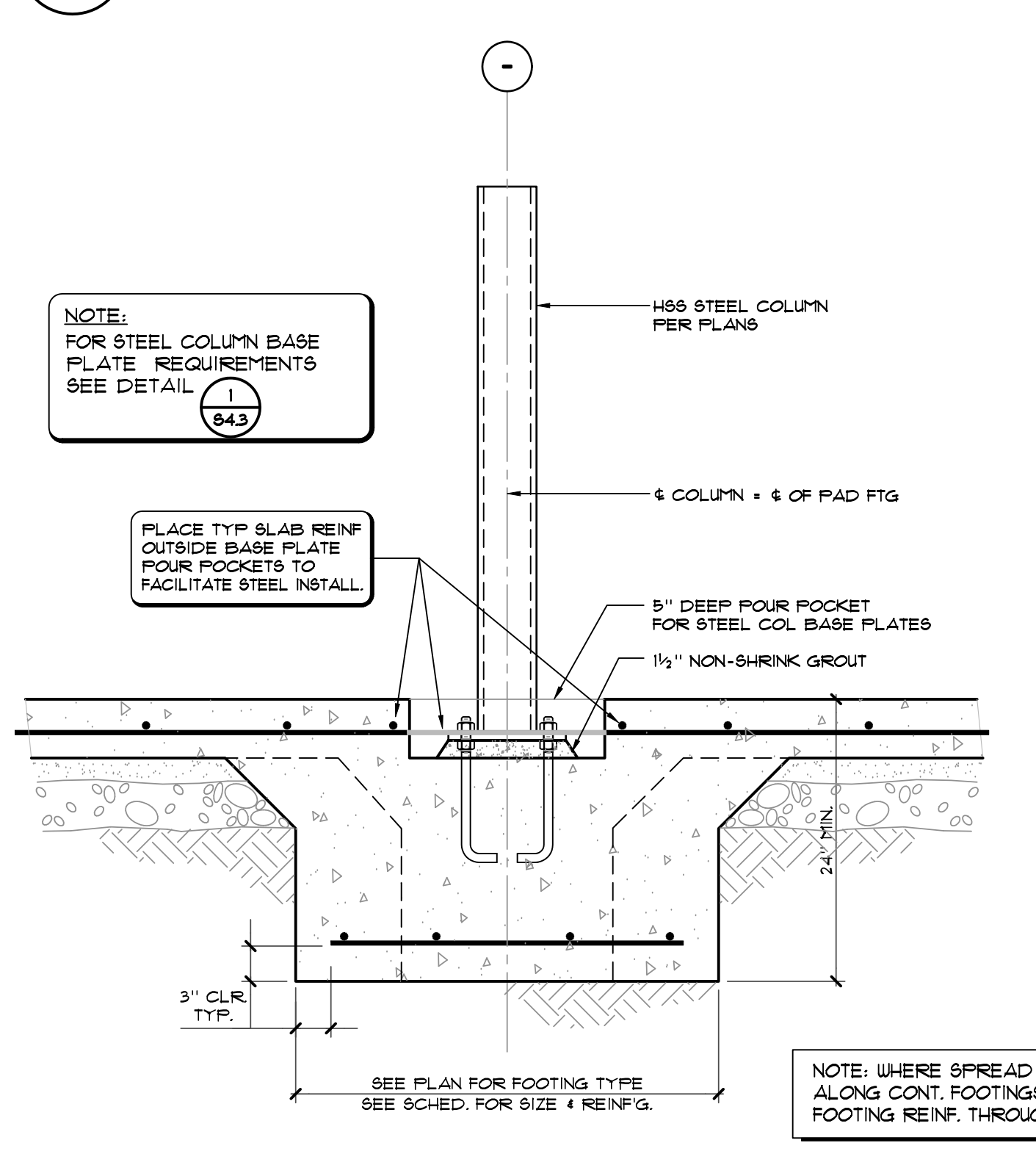
7 FOUNDATION DETAIL: CONCRETE WALL AND FOOTING  
SCALE: 1" = 1'-0"



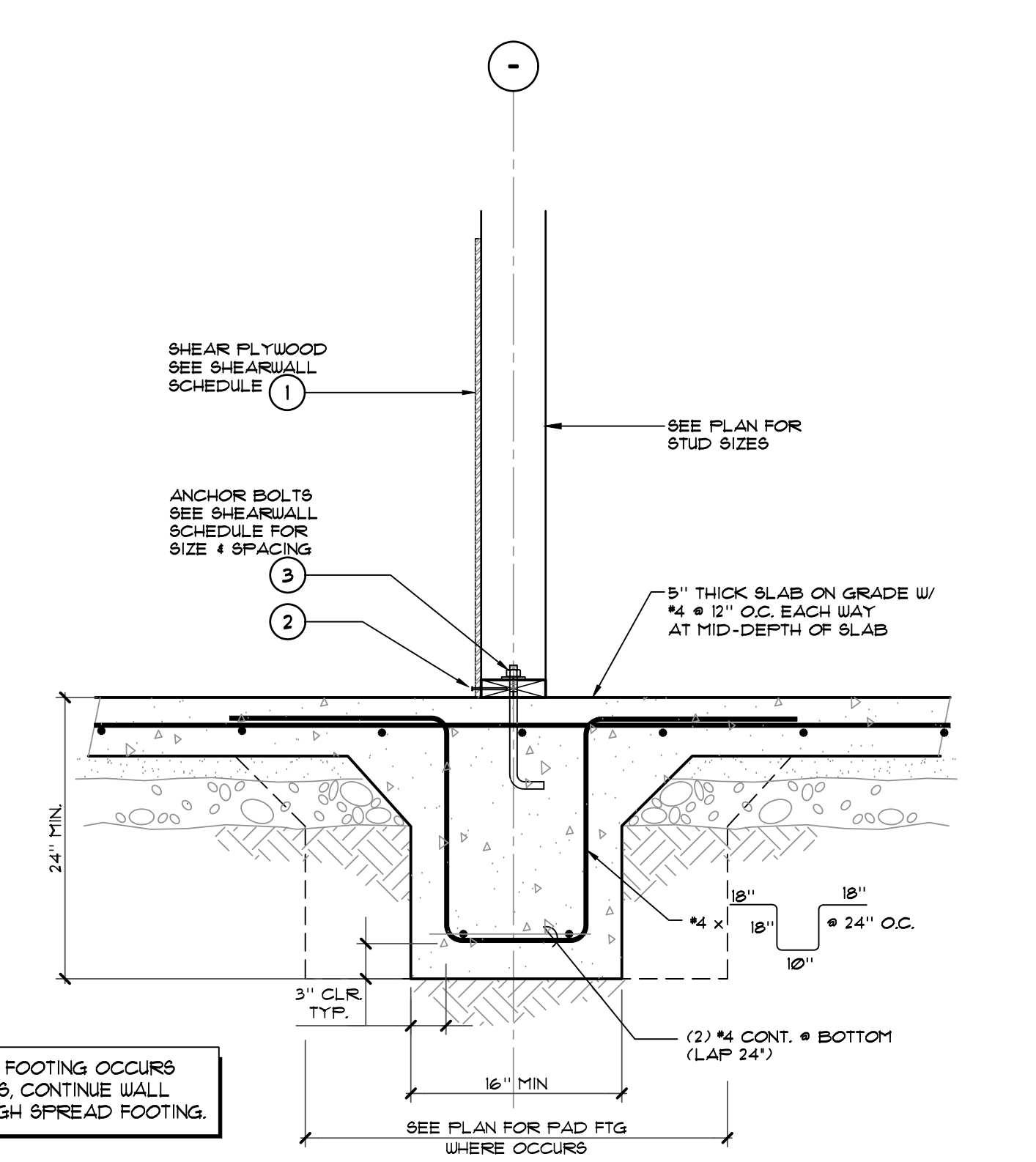
6 FOUNDATION DETAIL: CONCRETE WALL AND FOOTING  
SCALE: 1" = 1'-0"



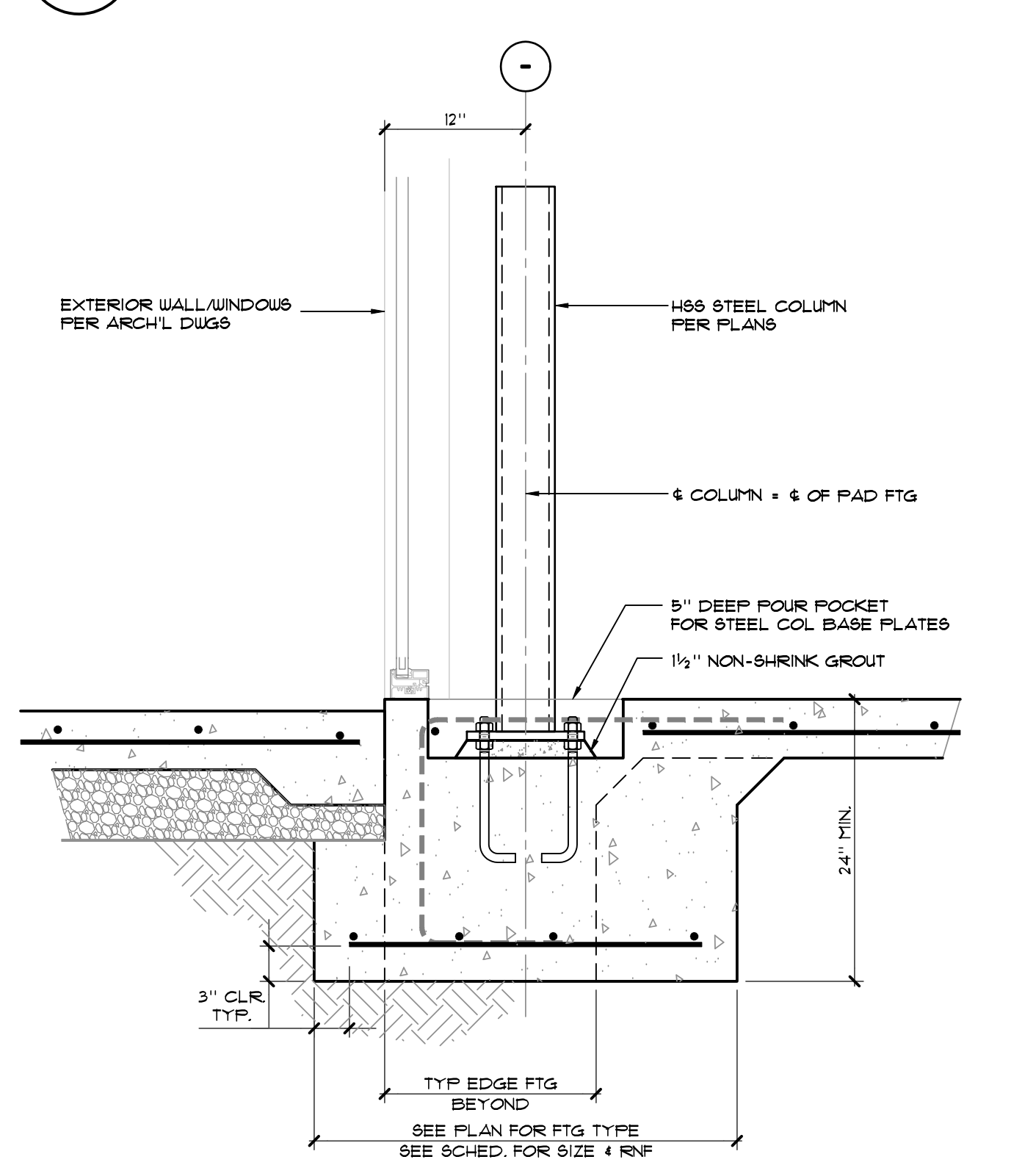
5 FOUNDATION DETAIL: PAD FOOTING AT STEEL COLUMN  
SCALE: 1" = 1'-0"



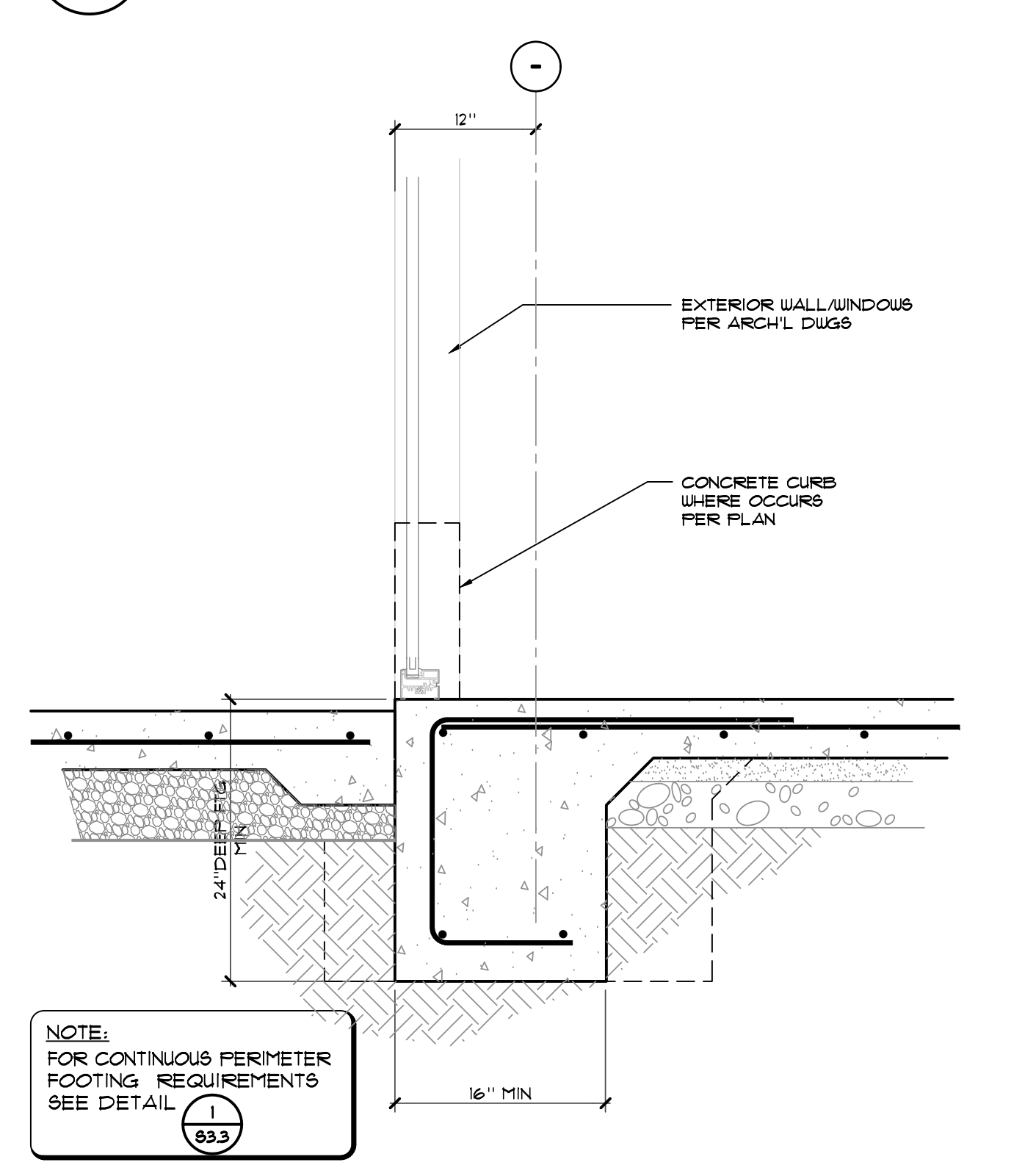
4 FOUNDATION DETAIL: CONTINUOUS INTERIOR FOOTING  
SCALE: 1" = 1'-0"



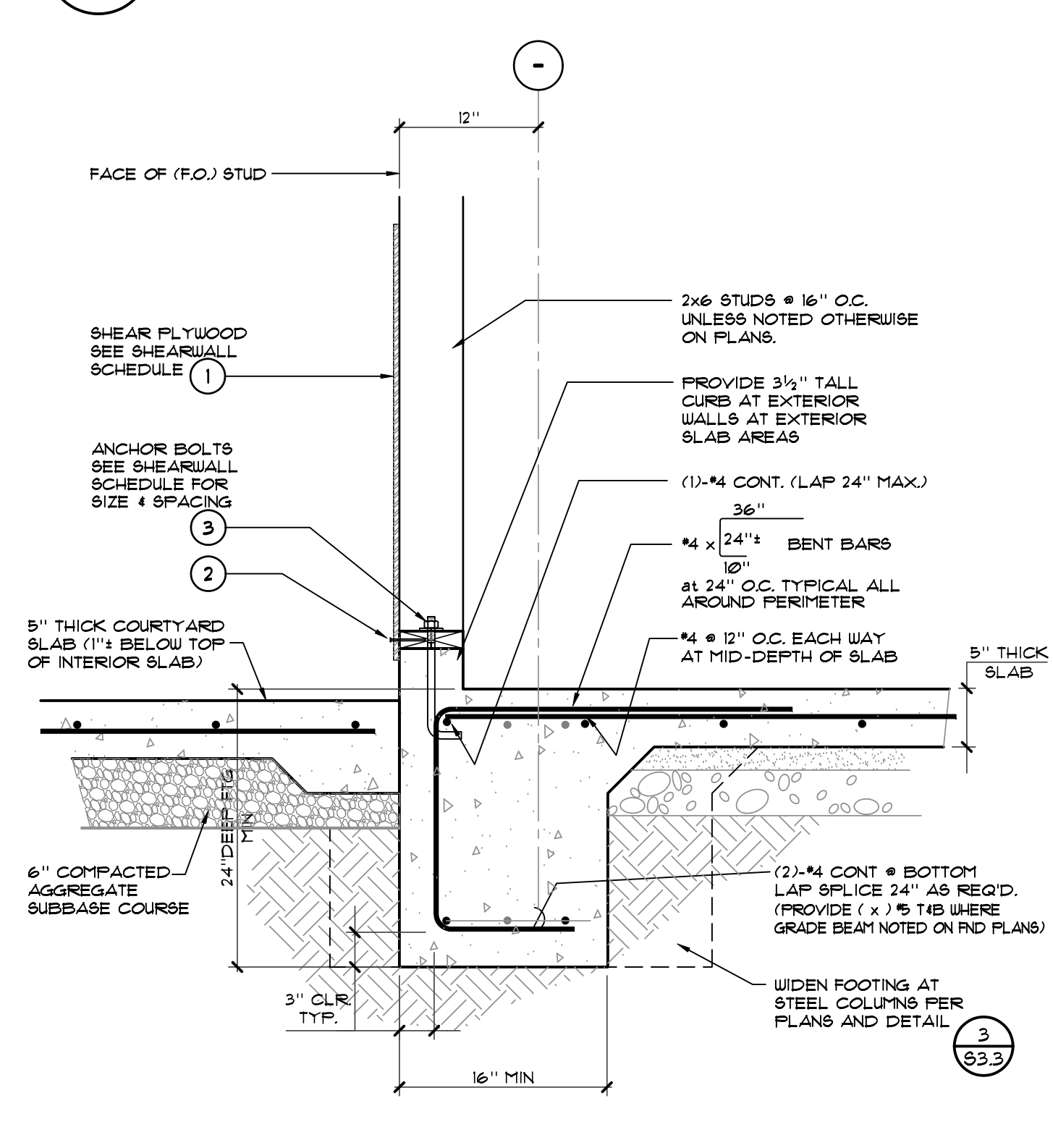
3 FOUNDATION DETAIL: SQUARE FOOTING AT EDGE COLUMN  
SCALE: 1" = 1'-0"



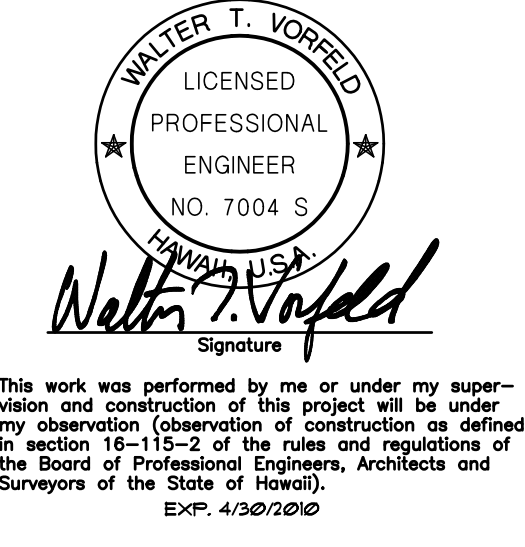
2 FOUNDATION DETAIL: TYPICAL SLAB EDGE DETAIL  
SCALE: 1" = 1'-0"



1 FOUNDATION DETAIL: TYPICAL SLAB EDGE DETAIL  
SCALE: 1" = 1'-0"



1 FOUNDATION DETAIL: TYPICAL SLAB EDGE DETAIL  
SCALE: 1" = 1'-0"



This work was performed by me or under my supervision and construction of this project will be under my observation (observation of construction as defined in section 16-115-2 of the rules and regulations of the Board of Professional Engineers, Architects and Surveyors of the State of Hawaii).  
Date: 4/20/09

PERMIT SET		1/19/09

**FOUNDATION DETAILS**

PERMIT SET 01-19-09

Drawn by: WTV, RD, KC Job Number: WVA-28012

Checked by: WTV, RD, KC Scale: AS NOTED

PERMIT SET Date: 01/19/2009

**S 3.3**