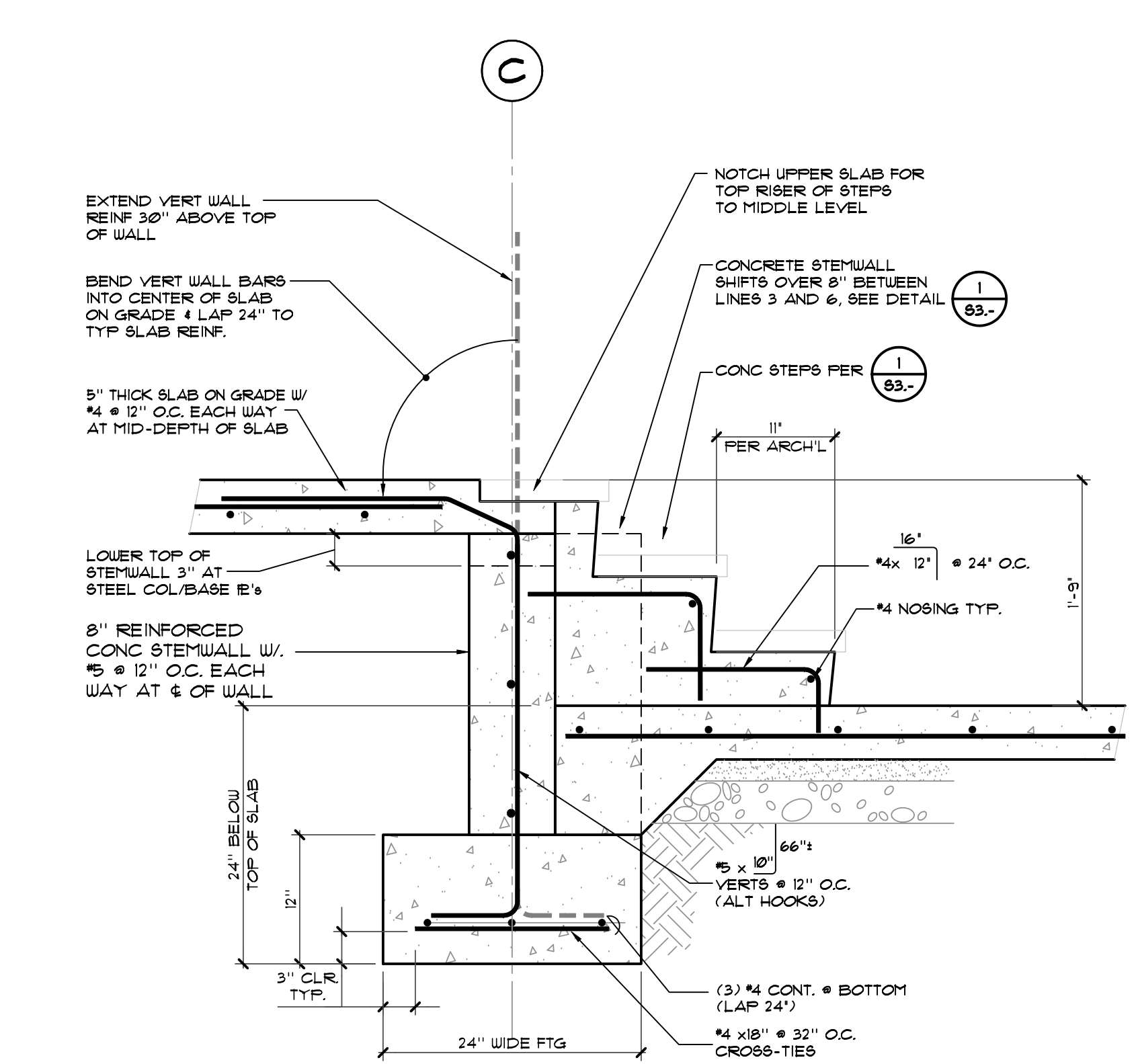
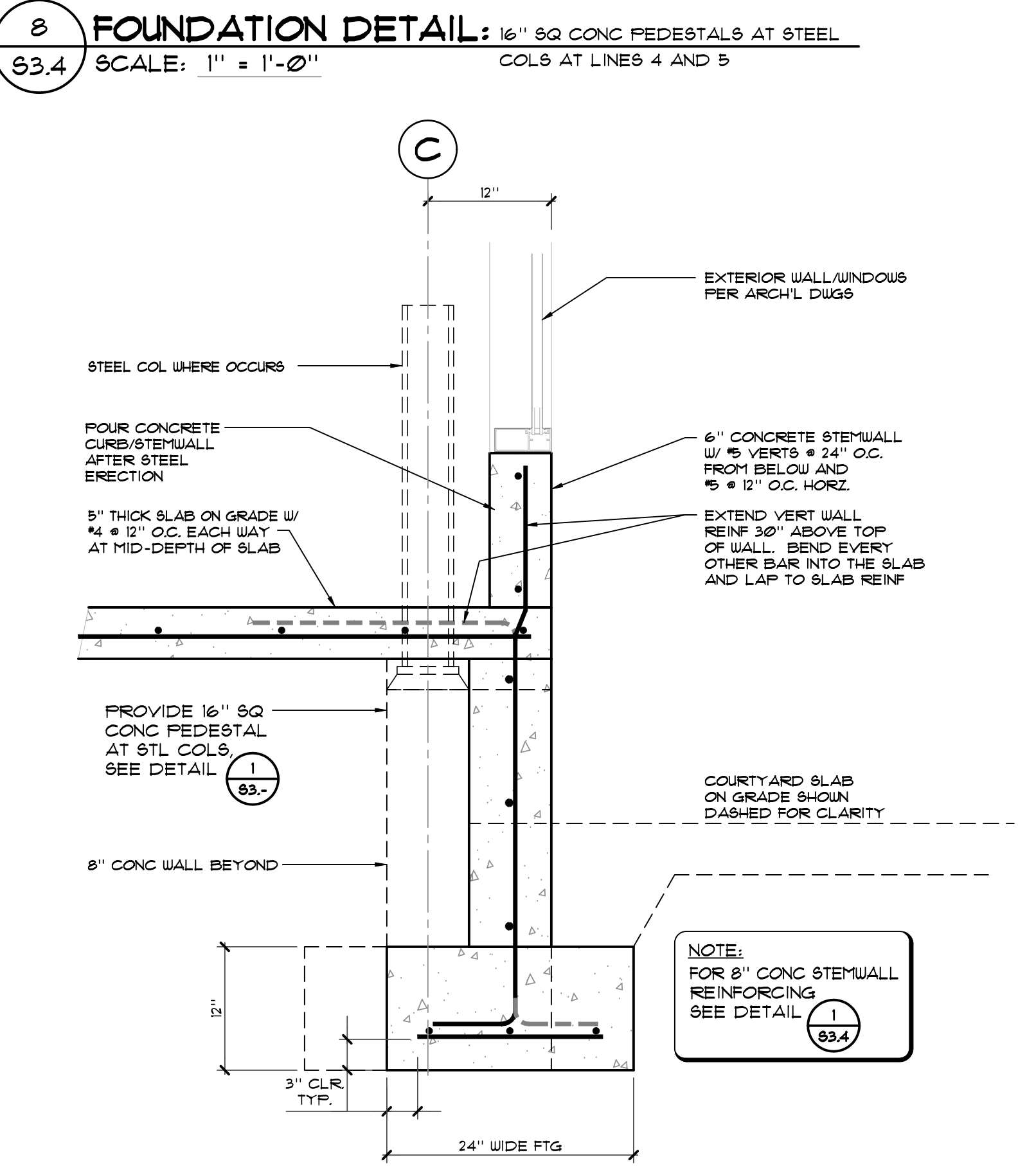
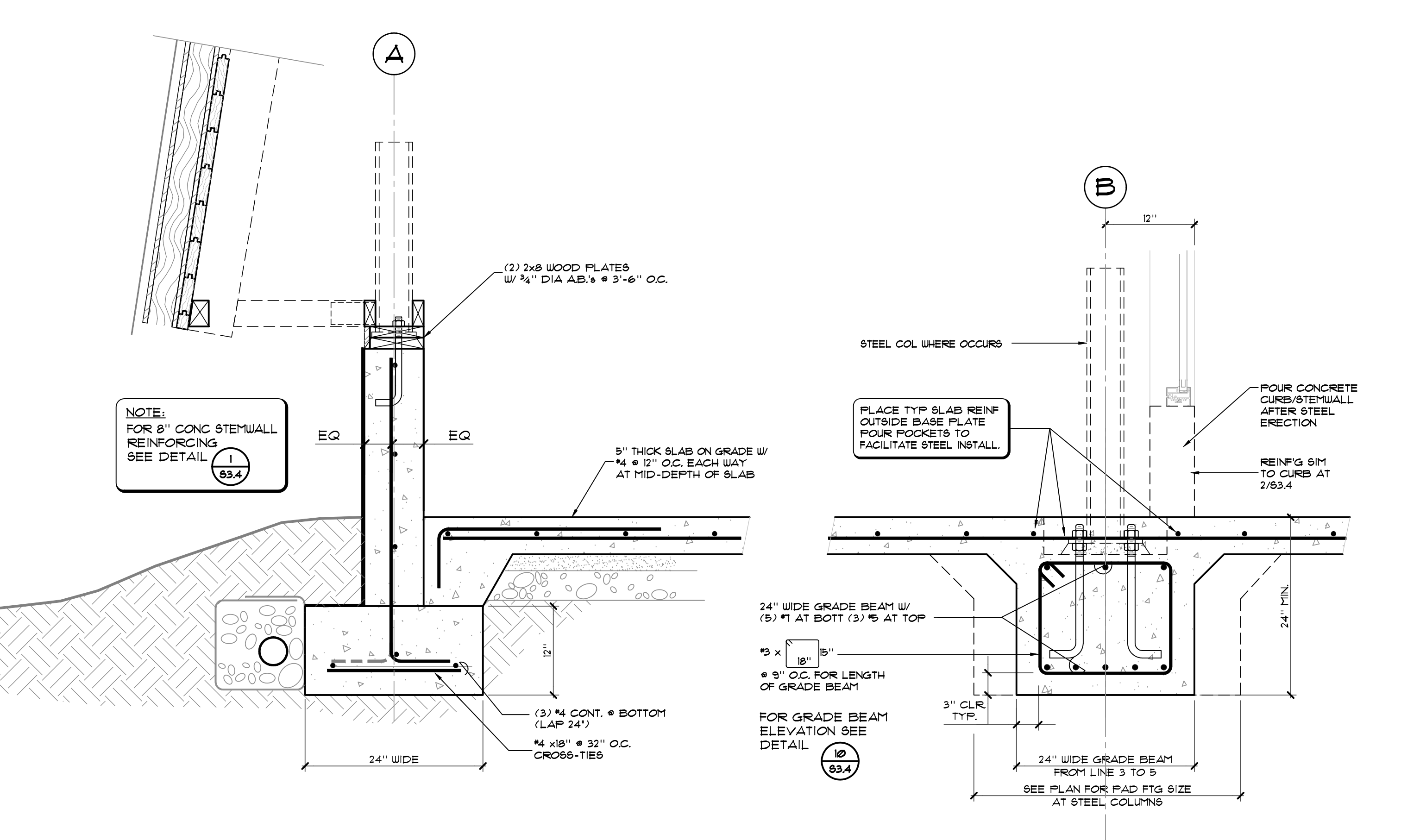
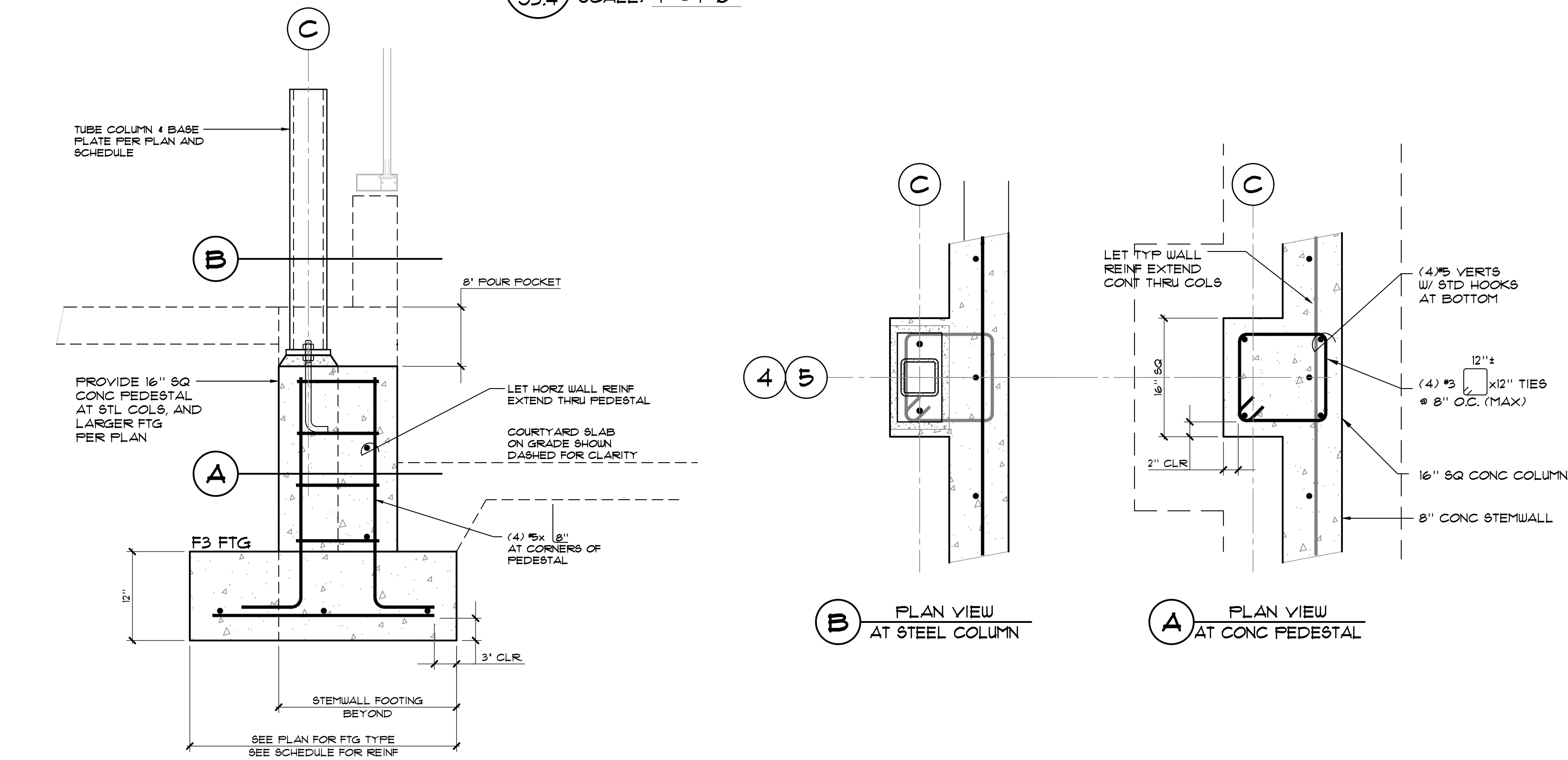
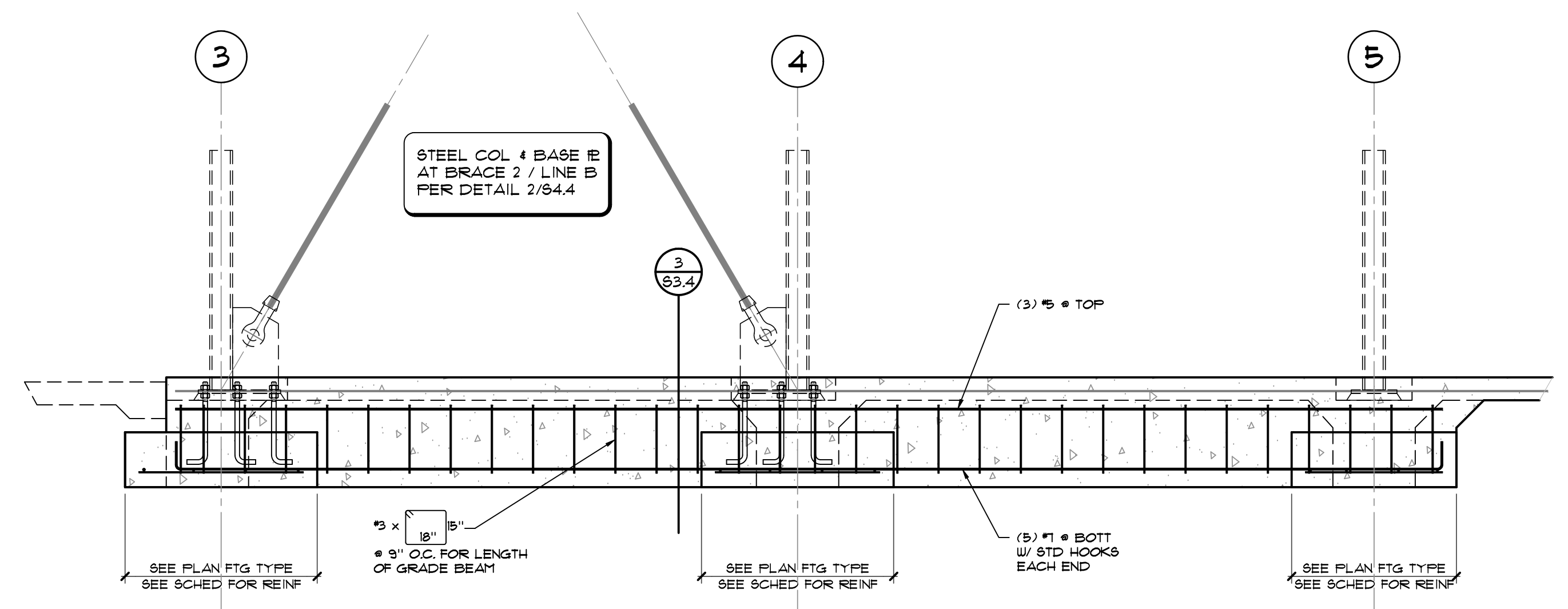
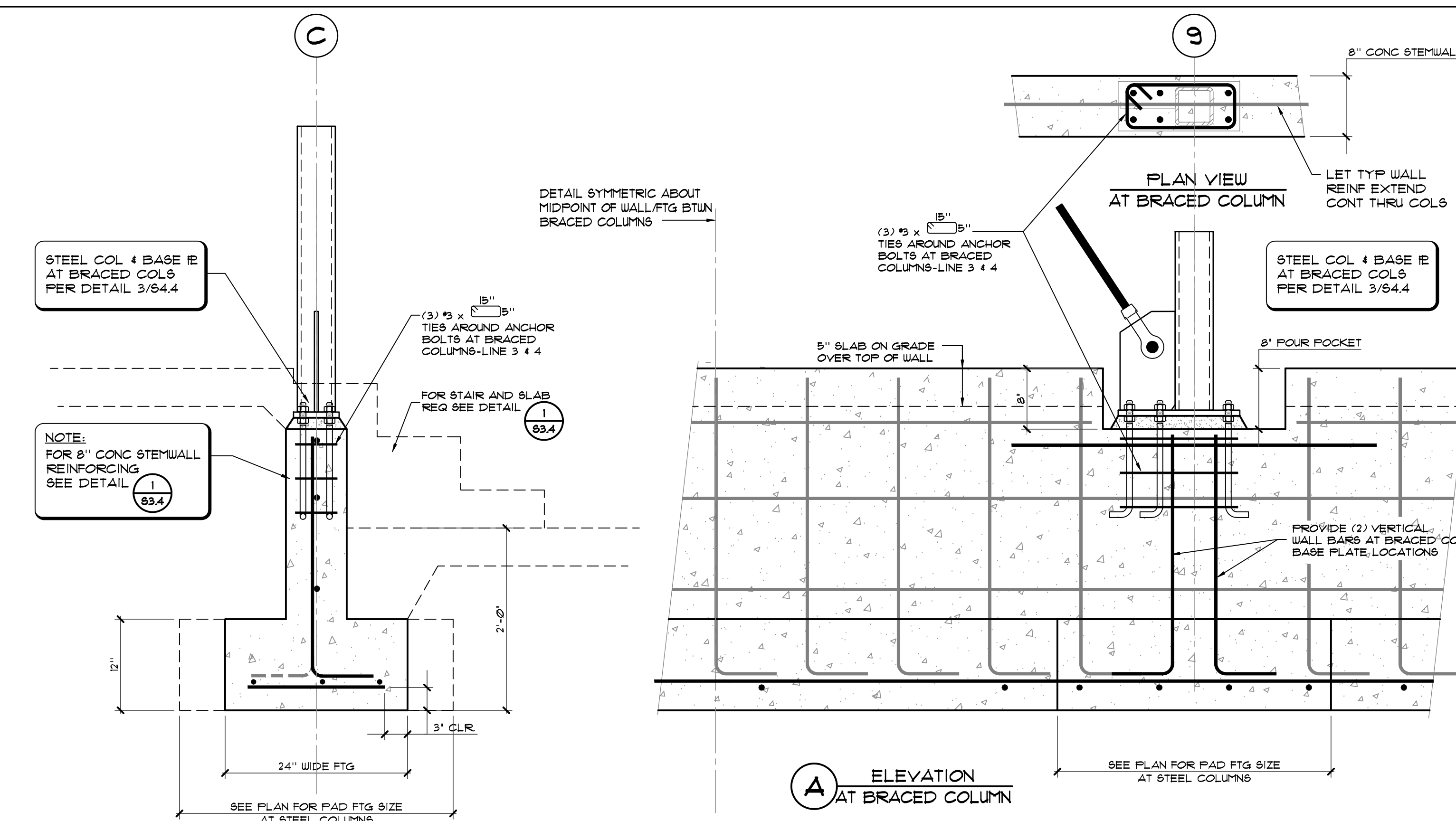
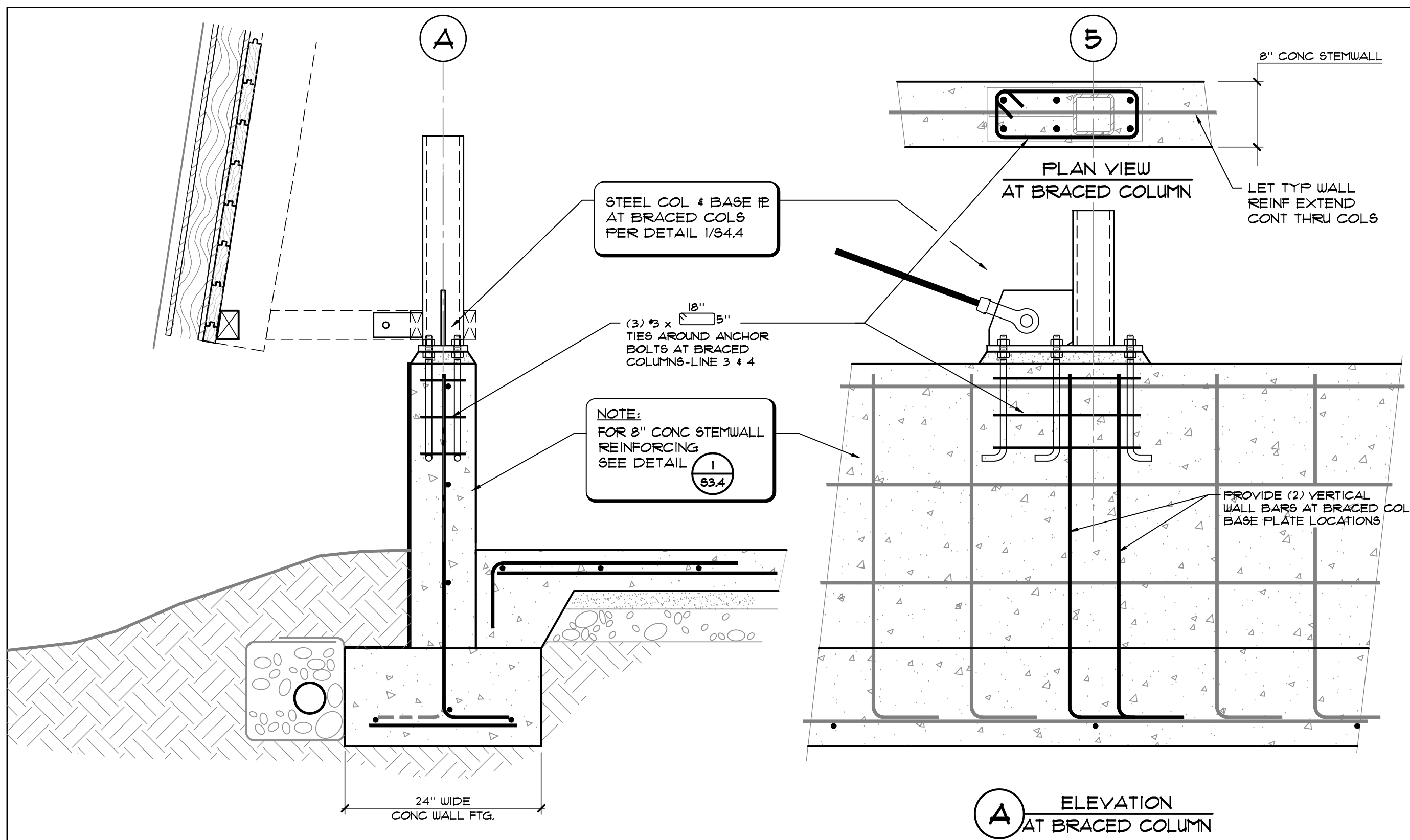


This work was performed by me or under my supervision and construction of this project will be under my observation (Observation of construction as defined in section 16-115-2 of the rules and regulations of the Board of Professional Engineers, Architects and Surveyors of the State of Hawaii).
Date: 4/20/2009



PERMIT SET	1/19/09

FOUNDATION DETAILS	
PERMIT SET	01-19-09
Drawn by: WTV, RD, KC	Job Number: WVA-28012
Checked by: WTV, RD, KC	Scale: AS NOTED
PERMIT SET	Date: 01/19/2009
S 3.4	