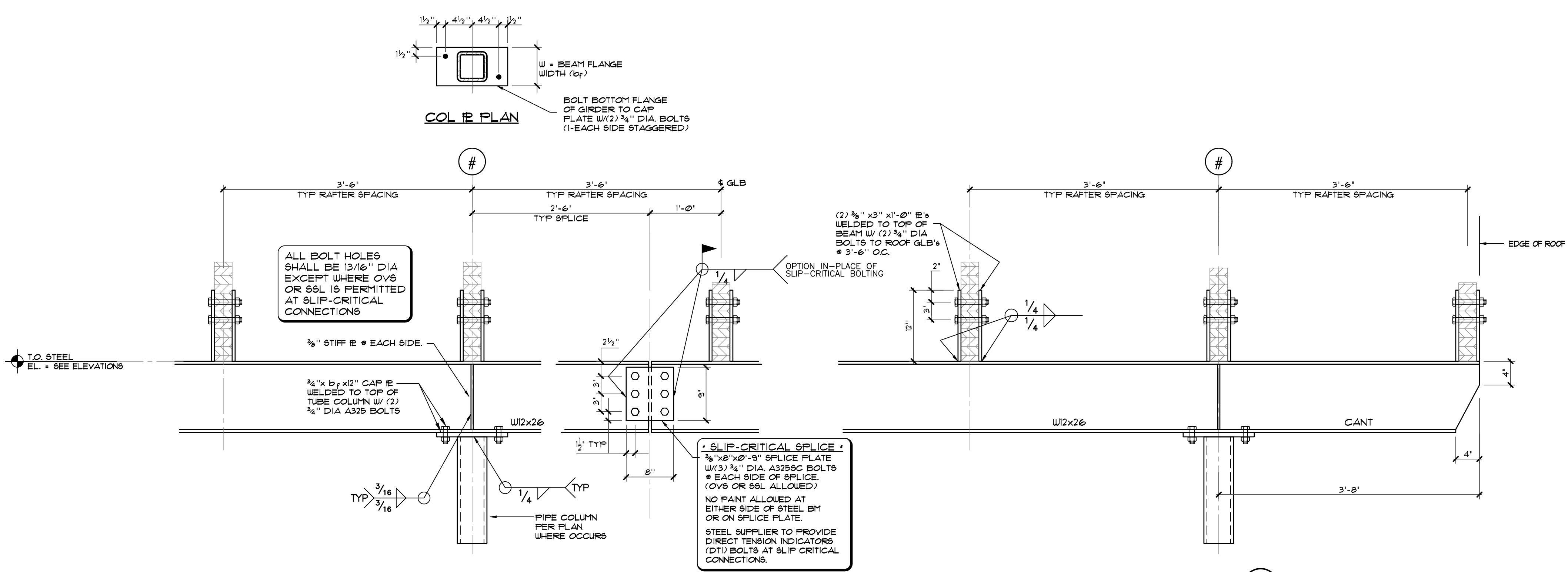
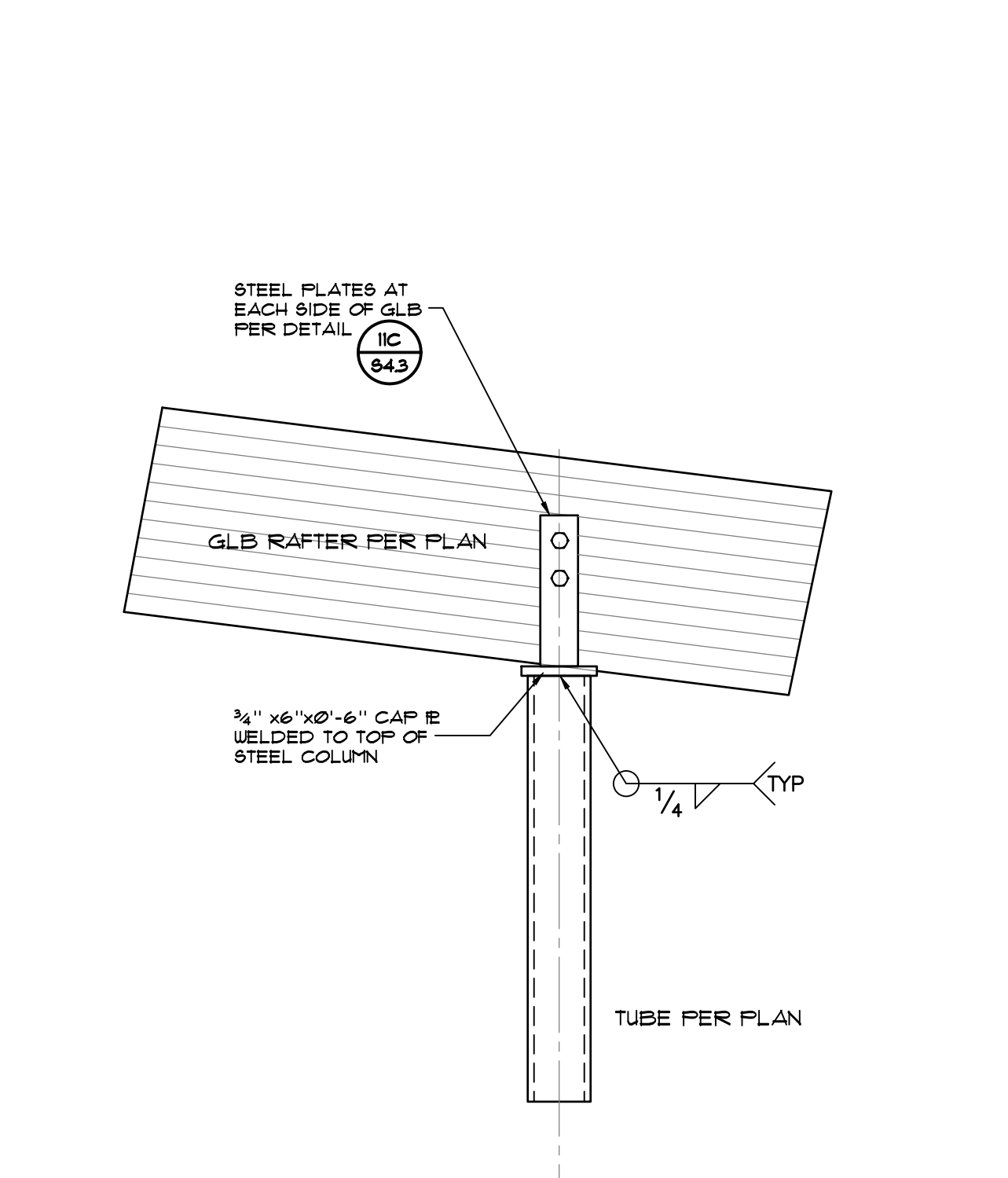
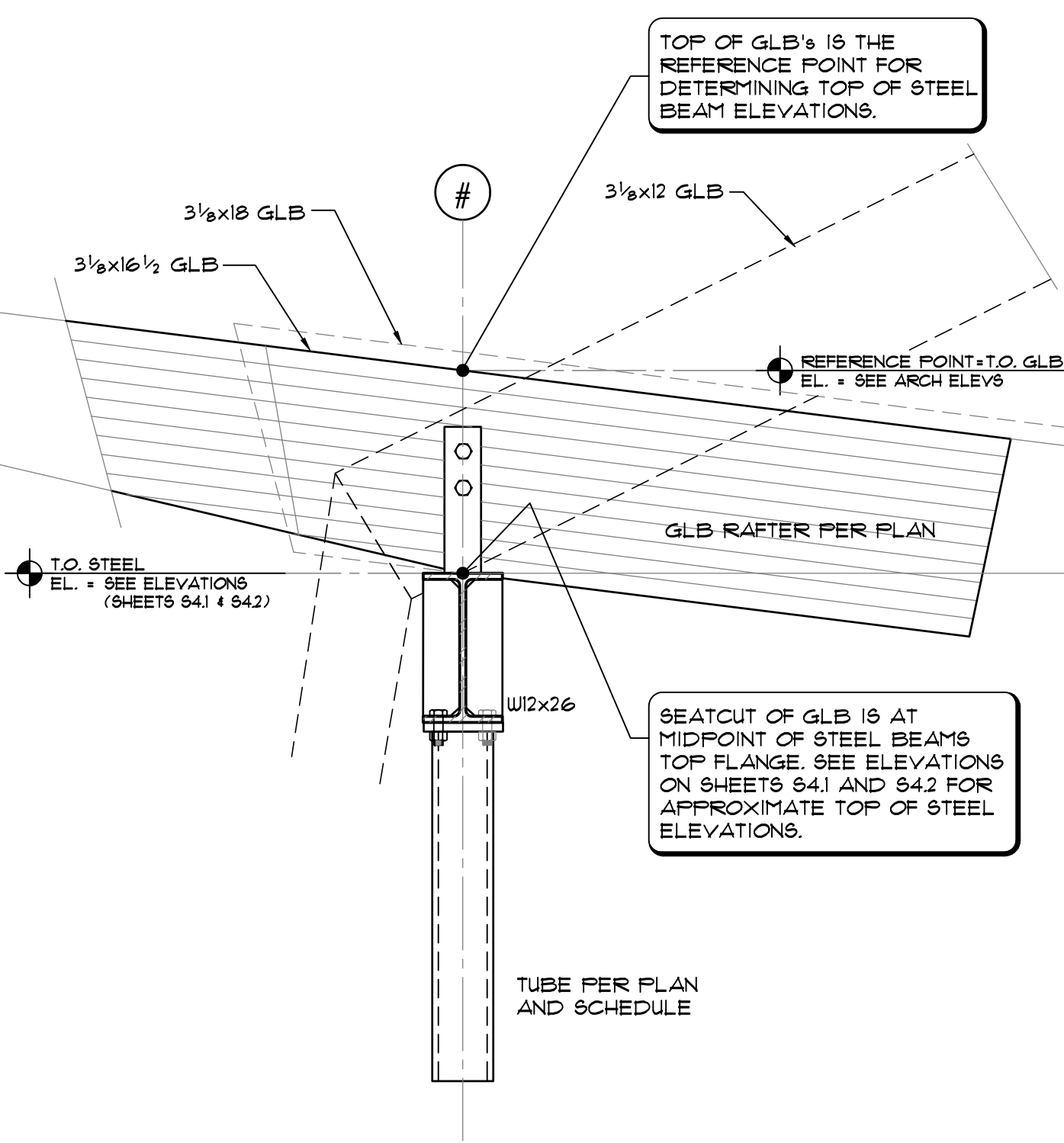


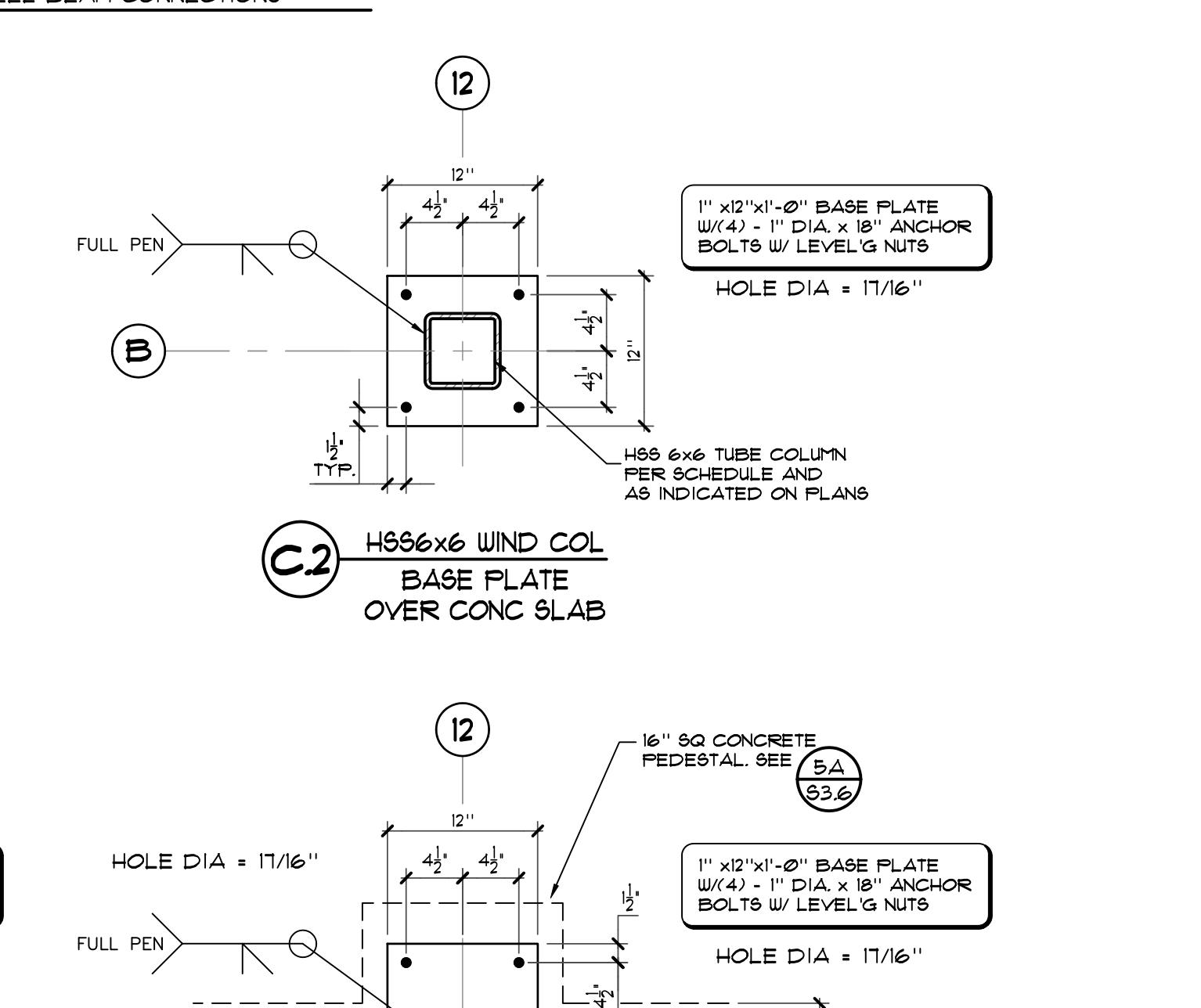
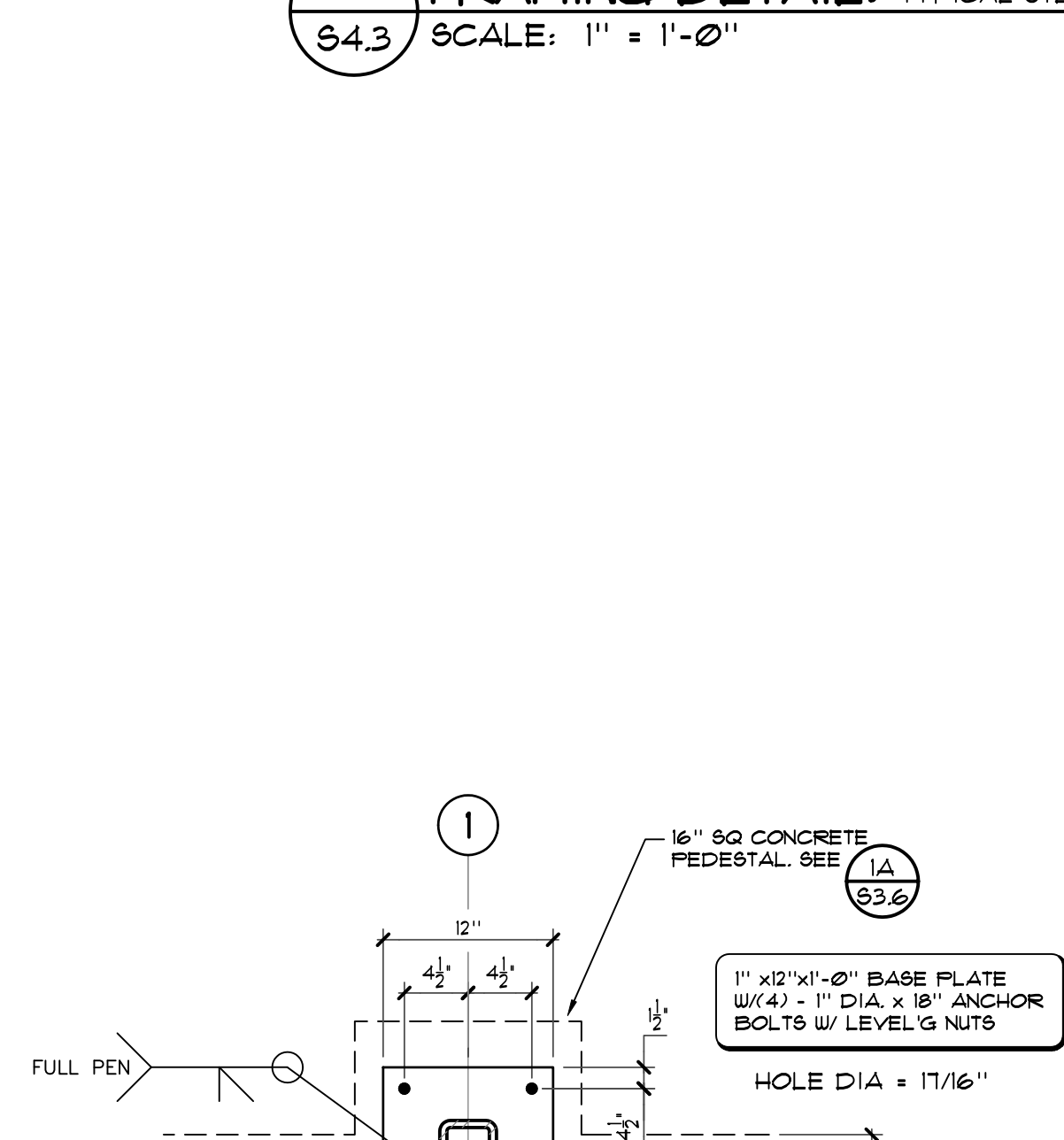
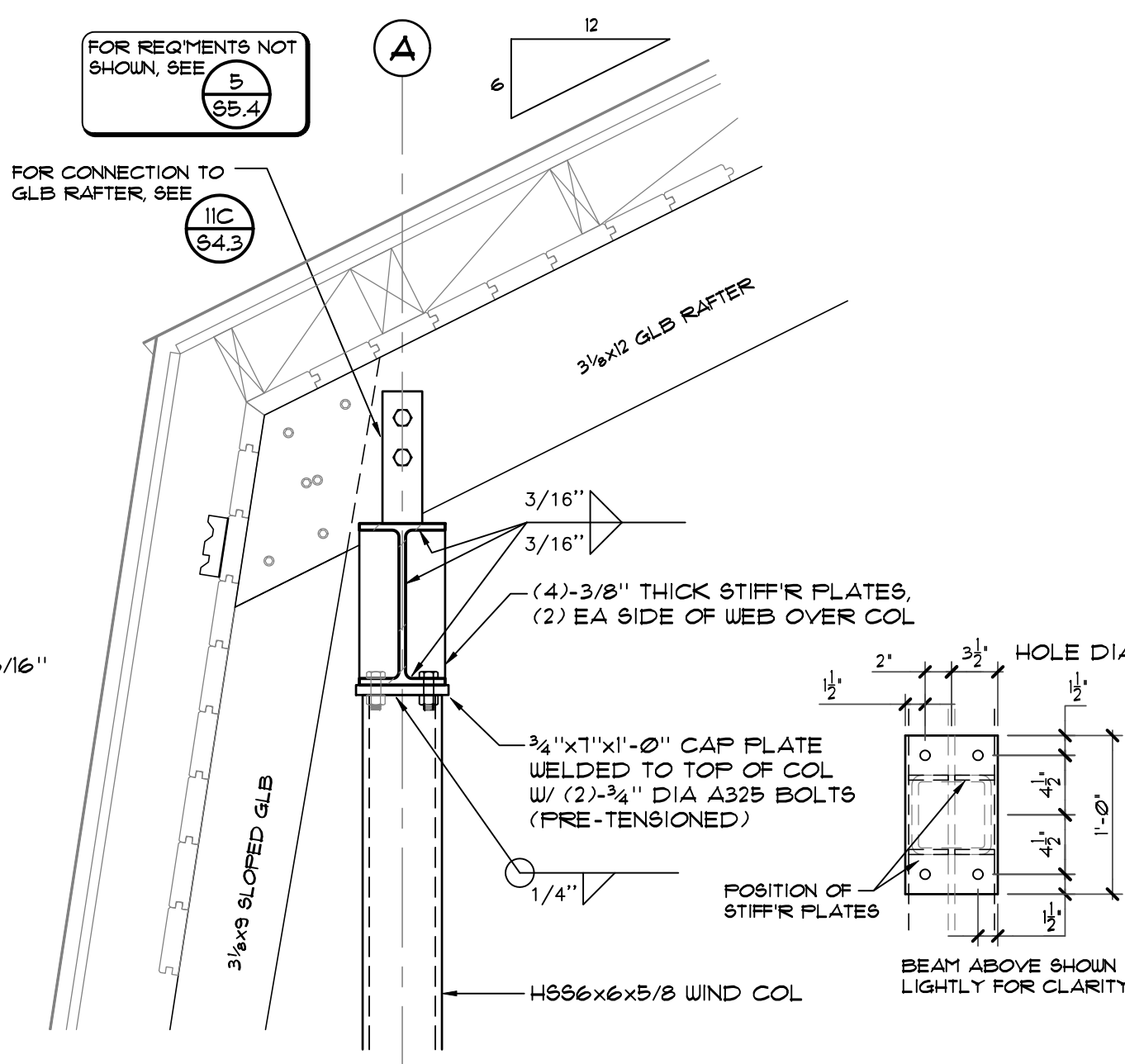
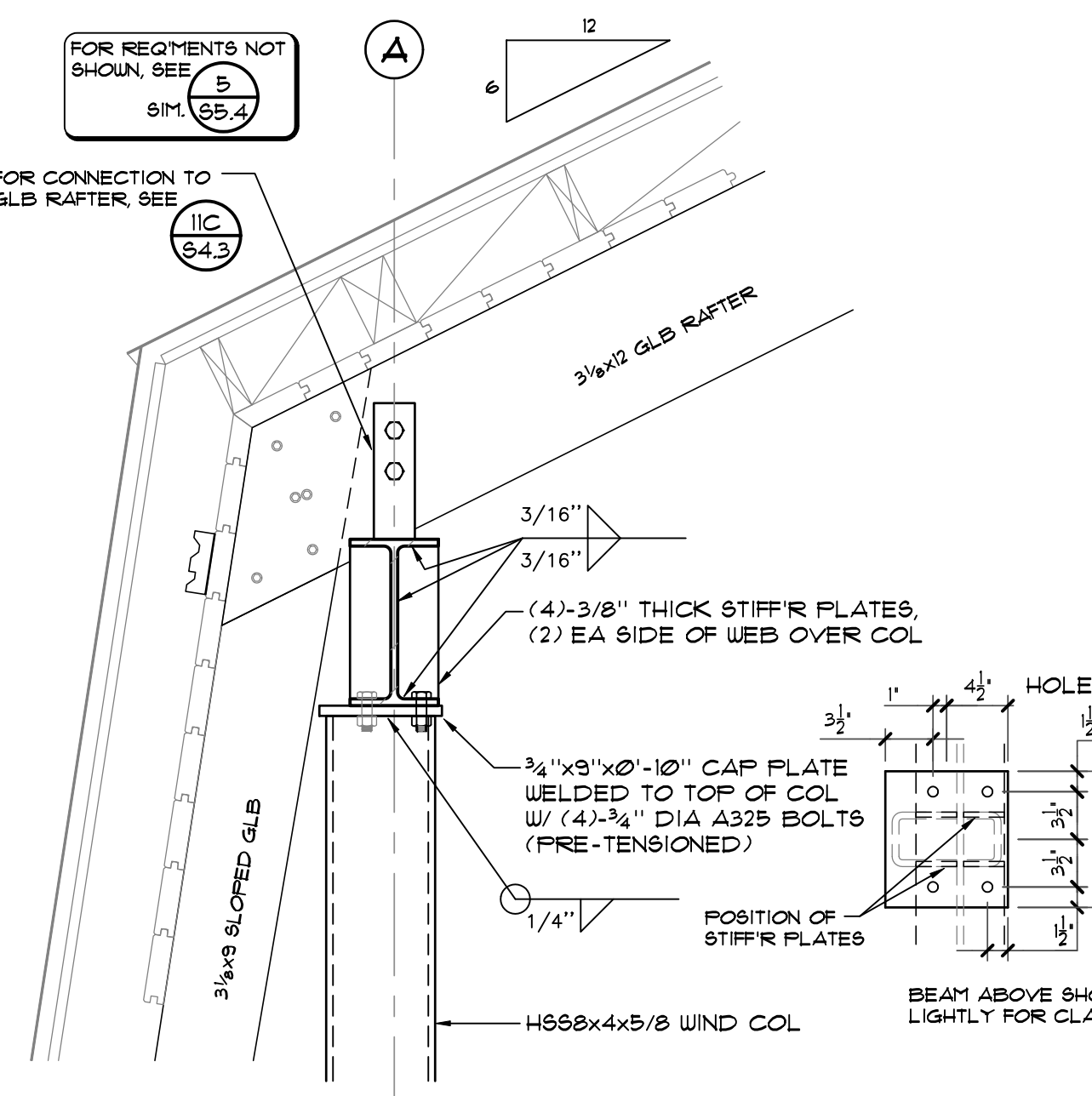
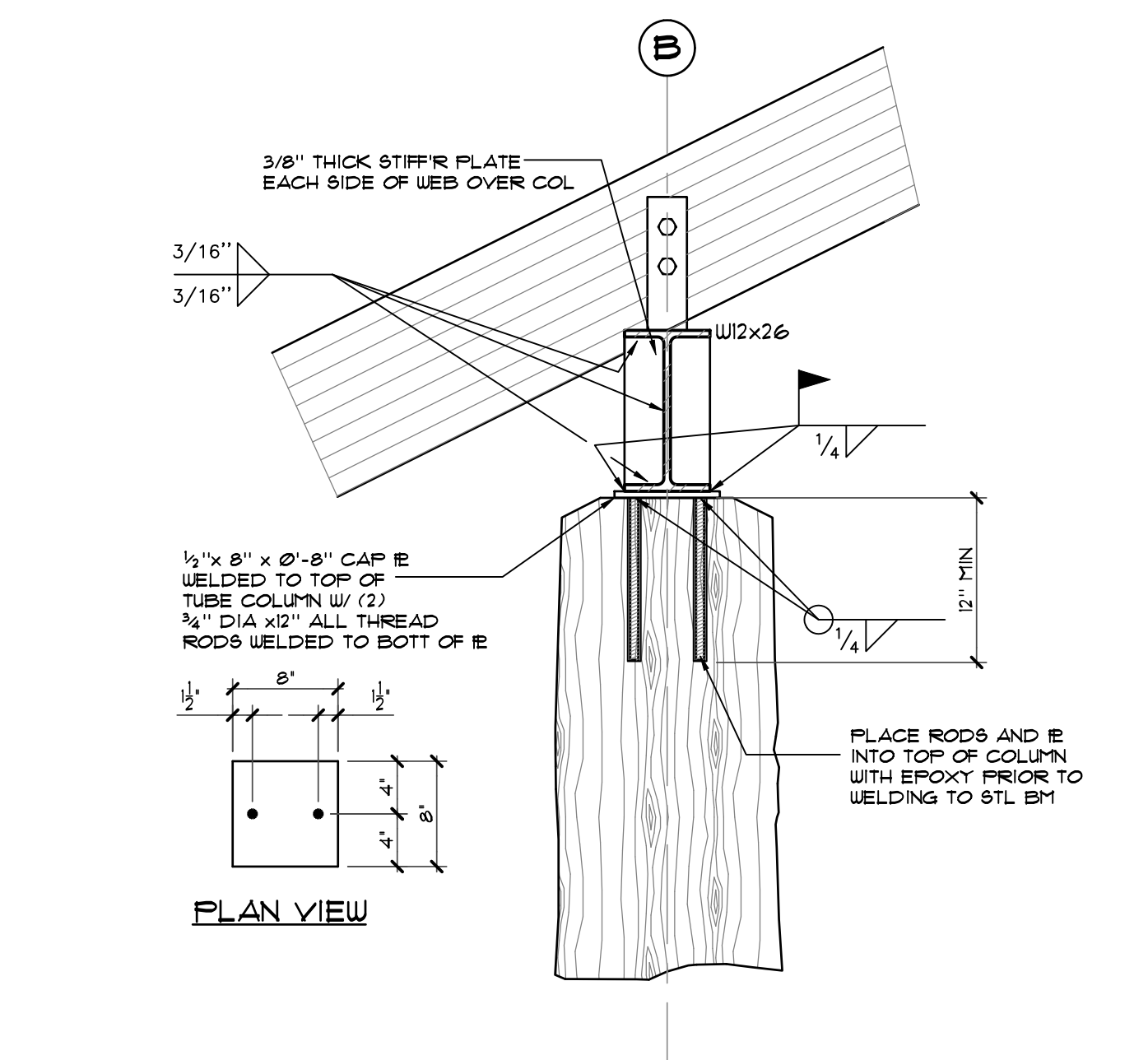
This work was performed by me or under my supervision and construction of this project will be under my observation (Observation of construction as defined in section 16-115-2 of the rules and regulations of the Board of Professional Engineers, Architects and Surveyors of the State of Hawaii).  
 Date: 4/20/2009



**15 FRAMING DETAIL: TOP OF STEEL BEAM ELEVATIONS**  
 SCALE: 1" = 1'-0"

**14 FRAMING DETAIL: STEEL COLUMN TO GLB RAFTER**  
 SCALE: 1" = 1'-0"

**11 FRAMING DETAIL: TYPICAL STEEL BEAM CONNECTIONS**  
 SCALE: 1" = 1'-0"



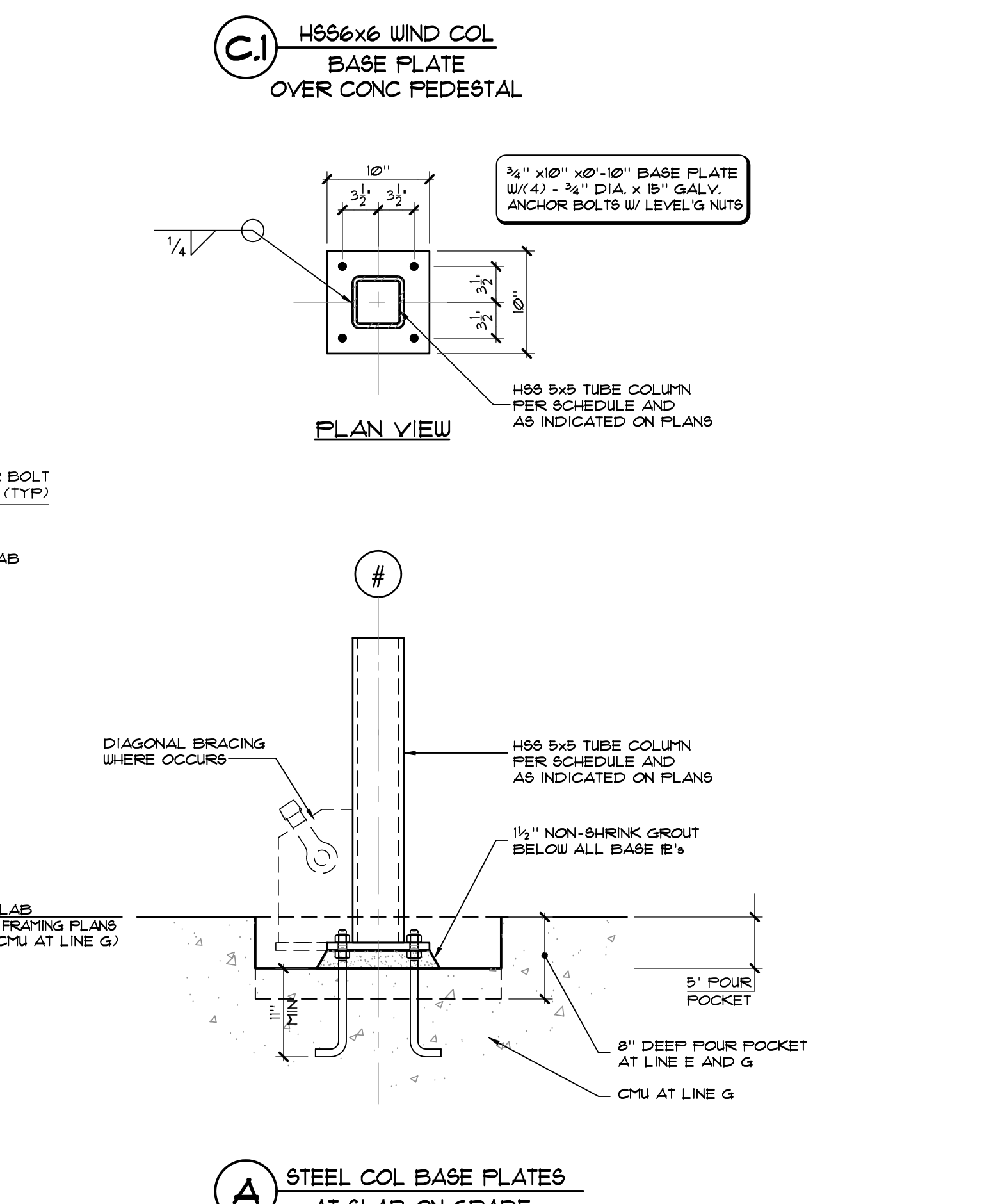
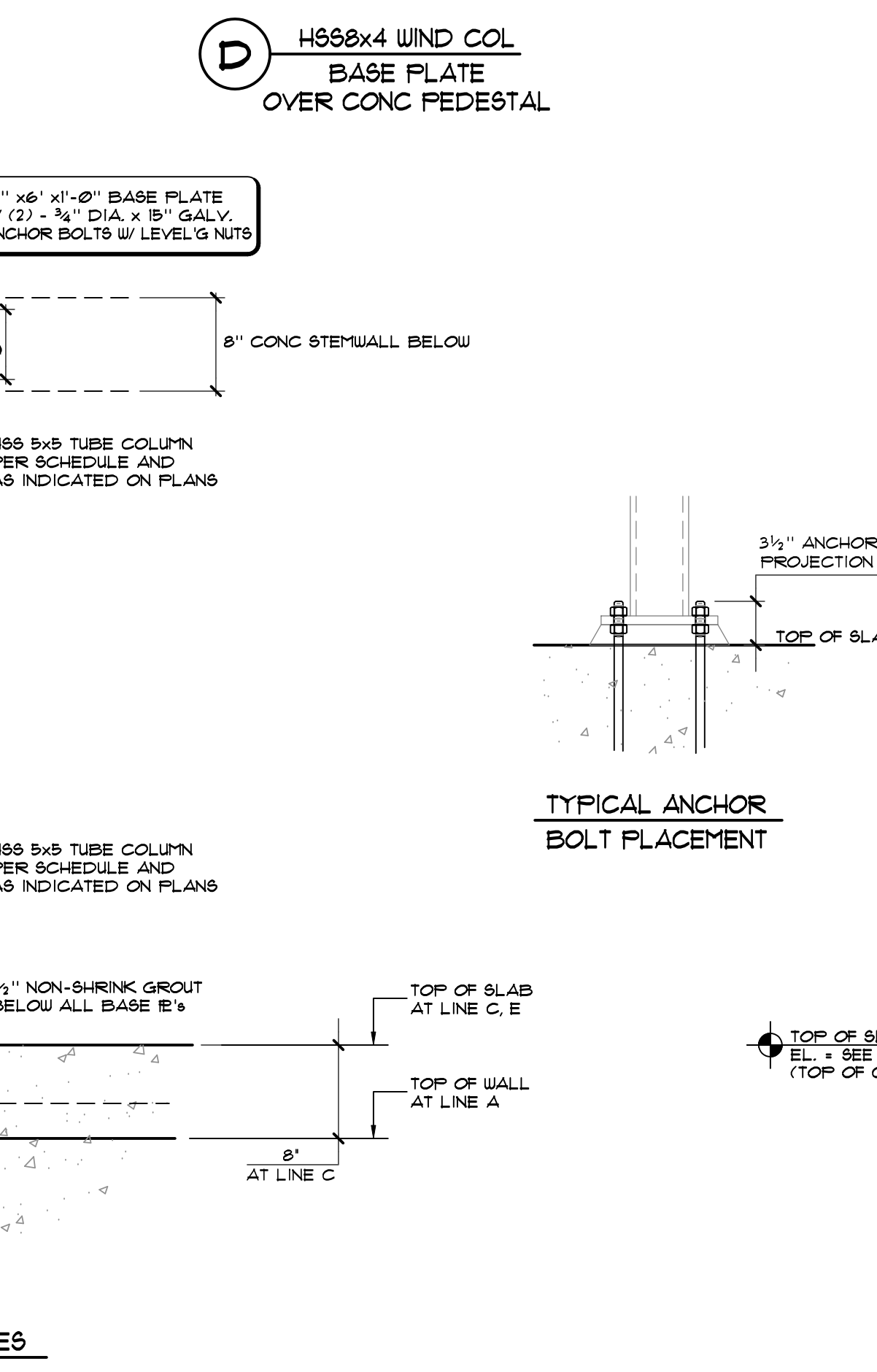
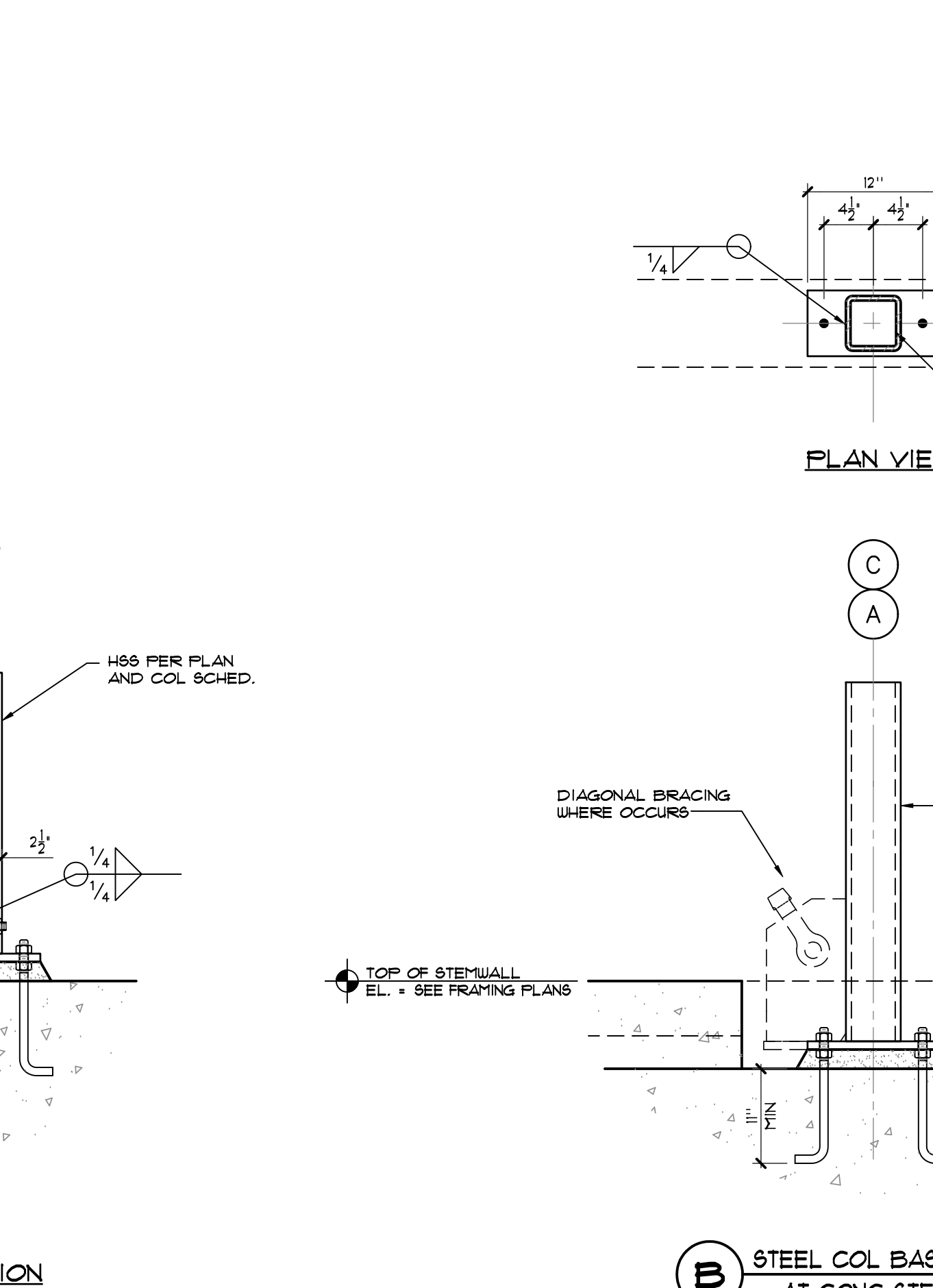
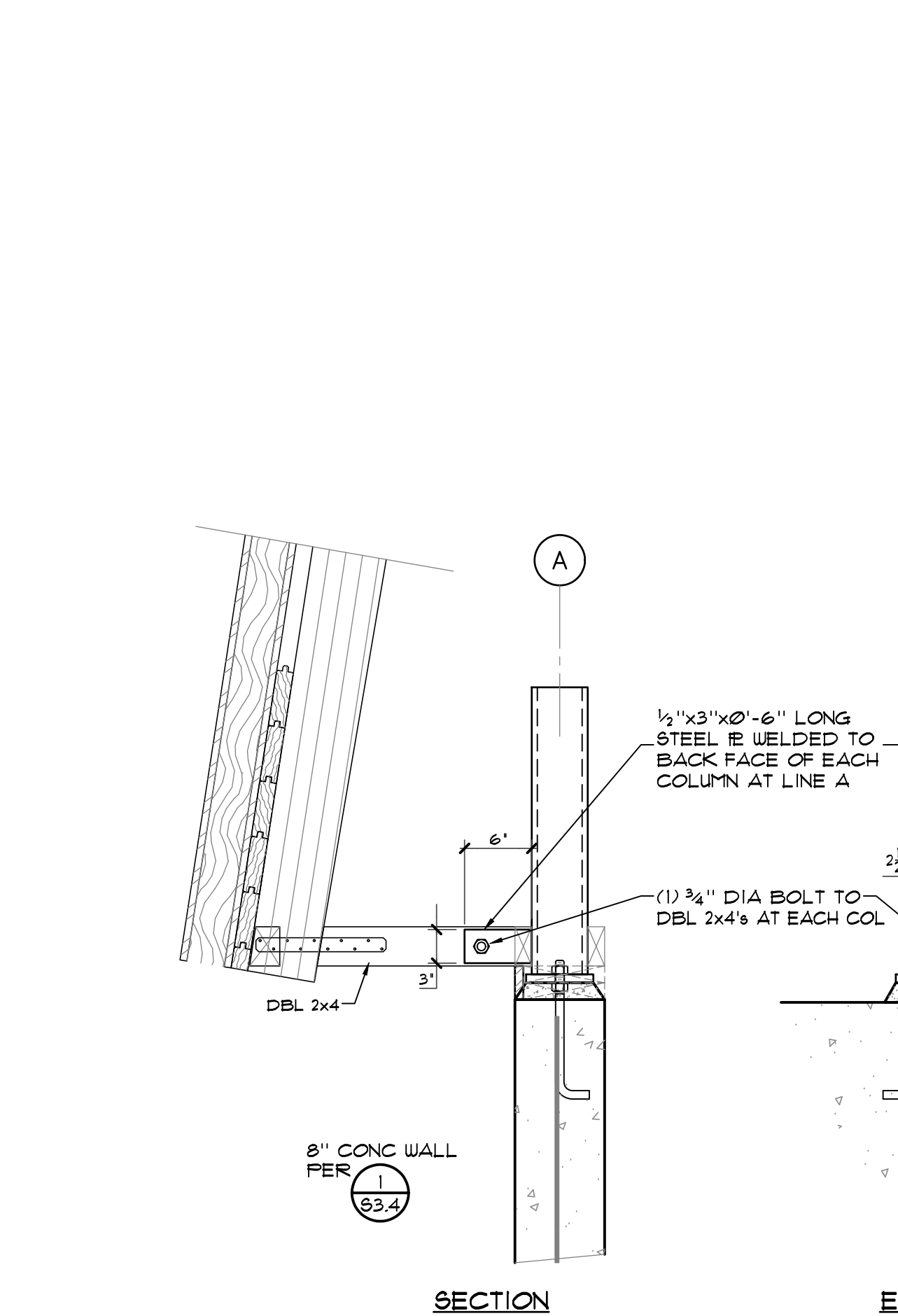
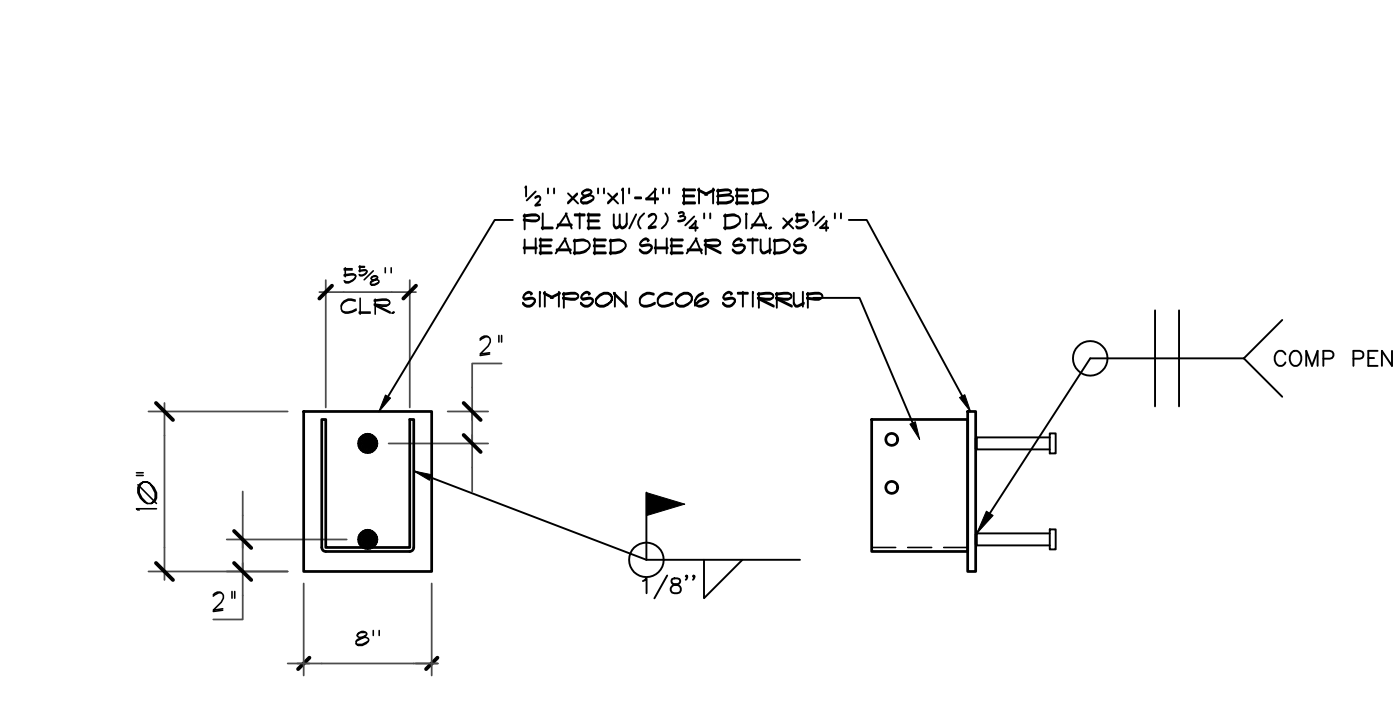
**10 FRAMING DETAIL: OHIA COLUMN CAP PLATE TO STEEL BEAM AT INTERSECTION OF GRIDLINES**  
 SCALE: 1" = 1'-0"

**9 FRAMING DETAIL: TOP OF HSS6x6x5/8 WIND COLUMN AT INTERSECTION OF GRIDLINES**  
 SCALE: 1" = 1'-0"

**8 FRAMING DETAIL: TOP OF HSS6x6x5/8 WIND COLUMN AT INTERSECTION OF GRIDLINES**  
 SCALE: 1" = 1'-0"

**12 HSS6x4 WIND COL. BASE PLATE OVER CONG. PEDESTAL**

**12 HSS6x6 WIND COL. BASE PLATE OVER CONG. PEDESTAL**



PERMIT SET	1/19/09

**STEEL FRAMING DETAILS**

PERMIT SET 01-19-09

Drawn by: WTV, RD, KC Job Number: WVA-28012  
 Checked by: WTV, RD, KC Scale: AS NOTED

PERMIT SET Date: 01/19/2009

**S 4.3**