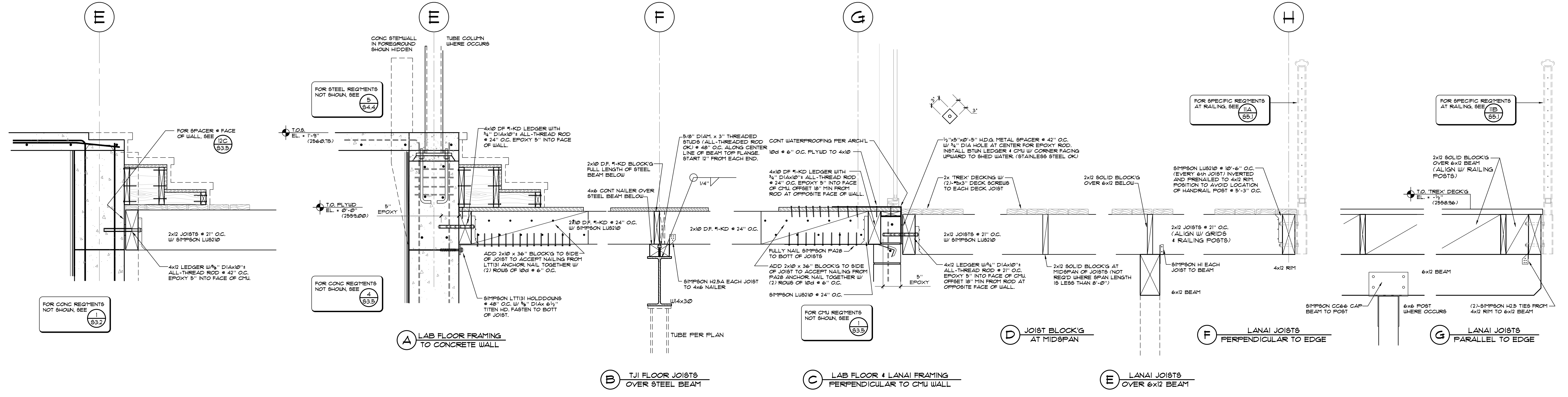
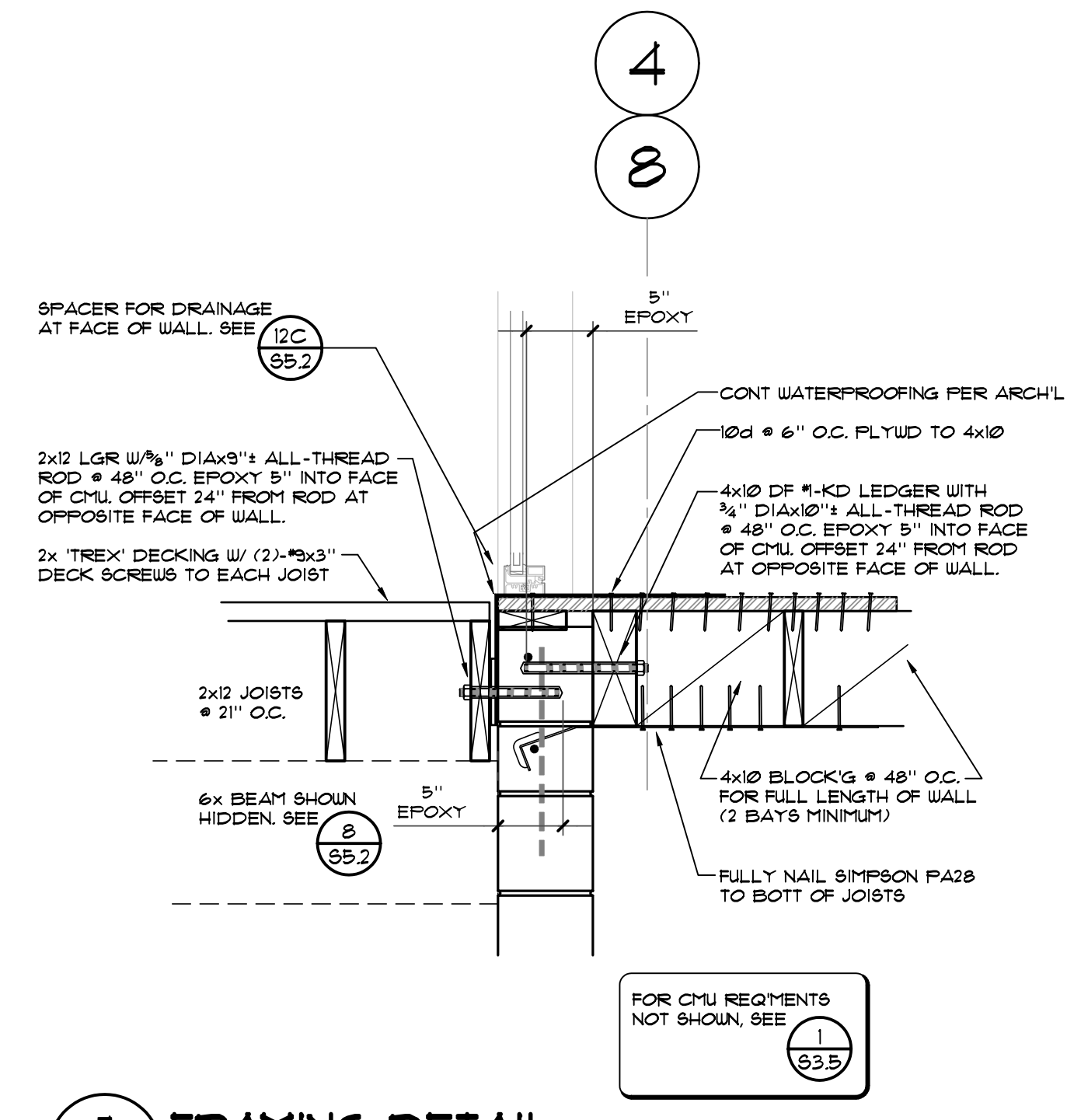
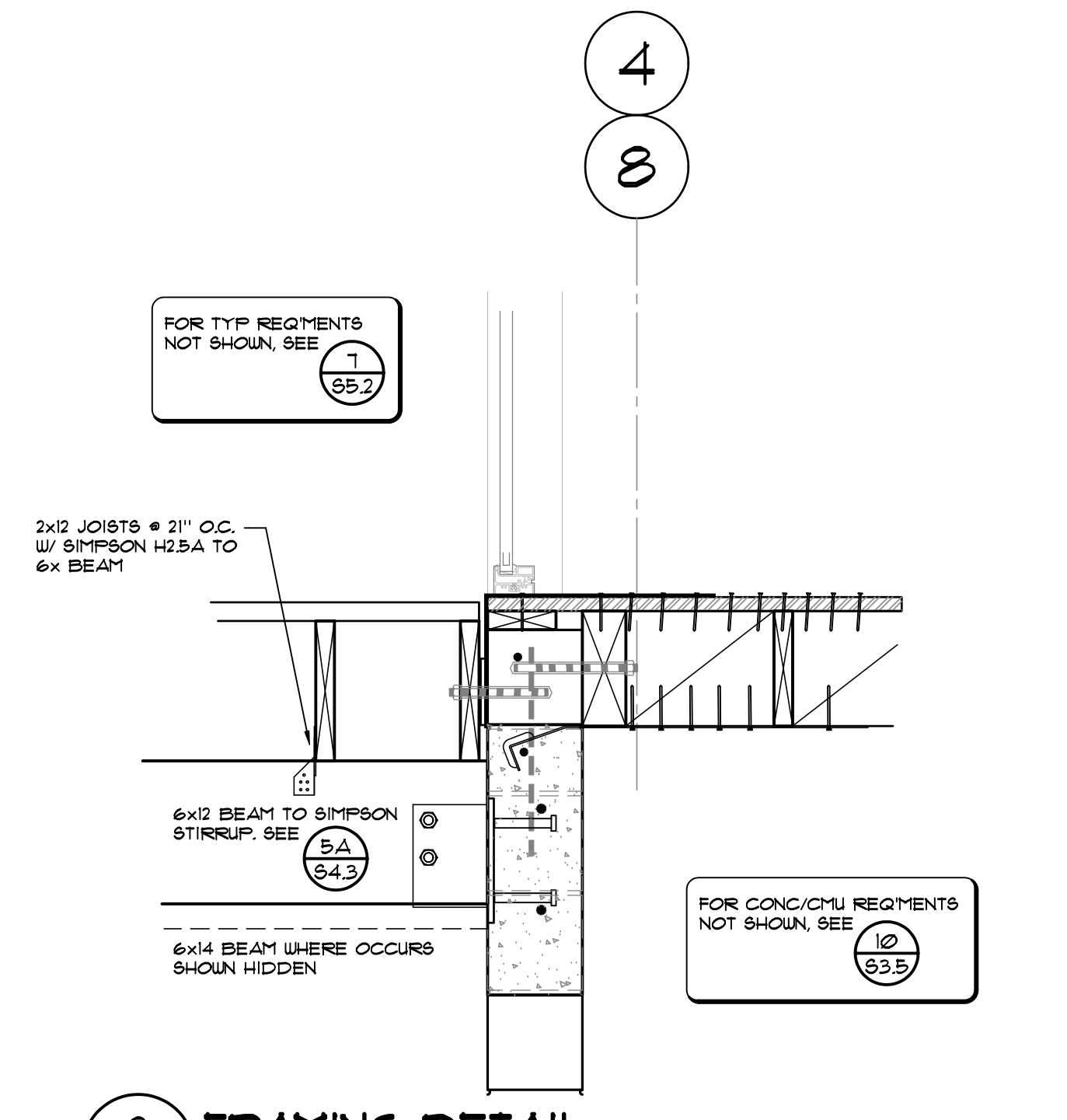


Walter T. Vorfeld
 Signature
 This work was performed by me or under my supervision and construction of this project will be under my observation (Observation of construction as defined in section 16-115-2 of the rules and regulations of the Board of Professional Engineers, Architects and Surveyors of the State of Hawaii).
 Date: 4/30/2009



15 FRAMING DETAIL: LANAI FRAMING PERPENDICULAR TO CONCRETE RETAINING WALL
 SCALE: 1" = 1'-0"

12 FRAMING DETAIL: LAB FLOOR & LANAI FRAMING
 SCALE: 1" = 1'-0"



8 FRAMING DETAIL: 6x14 LANAI BEAM TO FACE OF CMU WALL
 SCALE: 1" = 1'-0"

7 FRAMING DETAIL: LAB FLOOR & LANAI FRAMING PARALLEL TO CMU WALL
 SCALE: 1" = 1'-0"

PERMIT SET		1/19/09

WOOD FRAMING DETAILS

PERMIT SET 01-19-09

Drawn by: WTV, RD, KC Job Number: WVA-28012
 Checked by: WTV, RD, KC Scale: AS NOTED
 PERMIT SET Date: 01/19/2009

S 5.2