

# Coburn Straightaway Door Gear



# Straightaway Sliding Door Gear

## FOR WOOD OR METAL DOORS EITHER TOP HUNG OR BOTTOM ROLLING



A comprehensive range of sliding door fittings for either top hung or bottom rolling straight sliding doors, constructed in wood or metal and operating on single or multiple track runs.

All standard door hangers are of steel construction with ball bearings lubricated for life. For full details of hangers, bottom rollers, tracks, brackets and guides refer to the page relating to the door gear concerned.

Top hung straight sliding door gears for single track runs have been exhaustively tested to establish realistic carrying capacities. The performance recommendations apply to the gear only and specifiers and purchasers must satisfy themselves that the building structures are adequate for the door weights and wind pressures and will allow the specified working clearance to be maintained under all conditions.

For heavier doors apply for details of special tracks and alternative systems. All loadings given are based on doors subject to normal manual usage under normal conditions.

While the systems shown in this catalog are especially suitable for exterior openings, their use may be considered in some instances for interior use.

## Index

### TOP HUNG STRAIGHT SLIDING DOOR GEARS SINGLE TRACK RUNS

Maximum Door Weight lb	Maximum Door Height ft	Gear Number	Page Numbers
220	8	100	10-11
440	13	216	12-13
880	16	320	16-17
1320	19	325	20-21
2200	23	430	24-25
3300	26	438	26-27

### DOUBLE PARALLEL TRACK RUNS

N.B Single track capacities, as shown above, apply to doors operating on double or multiple track runs supported by individual soffit mount brackets.

275	9	216	14-15
500	11	320	18-19
800	12	325	22-23
1200	14	430	24-25

### BOTTOM ROLLING STRAIGHT SLIDING DOOR GEARS SINGLE OR DOUBLE PARALLEL TRACK RUNS

250	8	700	28-29
400	10	710	28-29
550	11	865	32-33
880	11	720	30-31
1100	13	880	34-35
2200	16	884	36-37
4400	20	900	38
8800	32	910	39

## DESIGN

Brackets have been designed to perform to all maximum carrying capacities shown in this catalog under all normal conditions. For unusual and mechanically operated doors consult HILLALDAM COBURN.

## MATERIALS

All brackets are either aluminum, forged or pressed steel. Upper parts of single and double laterally adjustable brackets are from malleable iron. Cast iron is never used.

## SINGLE TRACK SIDE MOUNT BRACKETS

Type -100 Open brackets -001 Closed end piece to convert 2-100 & 3-100 open brackets to any hand of closed end.  
3-007 Closed end piece to convert 3-105 open bracket to any hand of closed end. 4-051 Closed end piece to convert 4-100 open bracket to any hand of closed end. -002 Lock joint plate to convert 2-100, 3-100 and 8-100 open brackets to lock joint brackets. 3-106 Lock joint bracket for 3-25 track. 4-102 Lock joint bracket for 4-30 track.

## UNIVERSAL SOFFIT MOUNT BRACKETS

Type -150 Open bracket. -051 Closed end piece to convert open bracket to any hand of closed end. -152 Lock joint bracket.

## JOINT AND END BRACKETS

All types of brackets employ set screw jointing devices and are available with closed end plates to blank off the ends of track runs. The 100 series of brackets for 2-16, 3-20 and 8-25 tracks have a detachable lock-joint kit to convert the ordinary plain bracket, and most types of brackets for 2-16, 3-20, 3-25 and 4-30 tracks have detachable end plates which convert plain brackets to any hand of closed end.

## FINISH

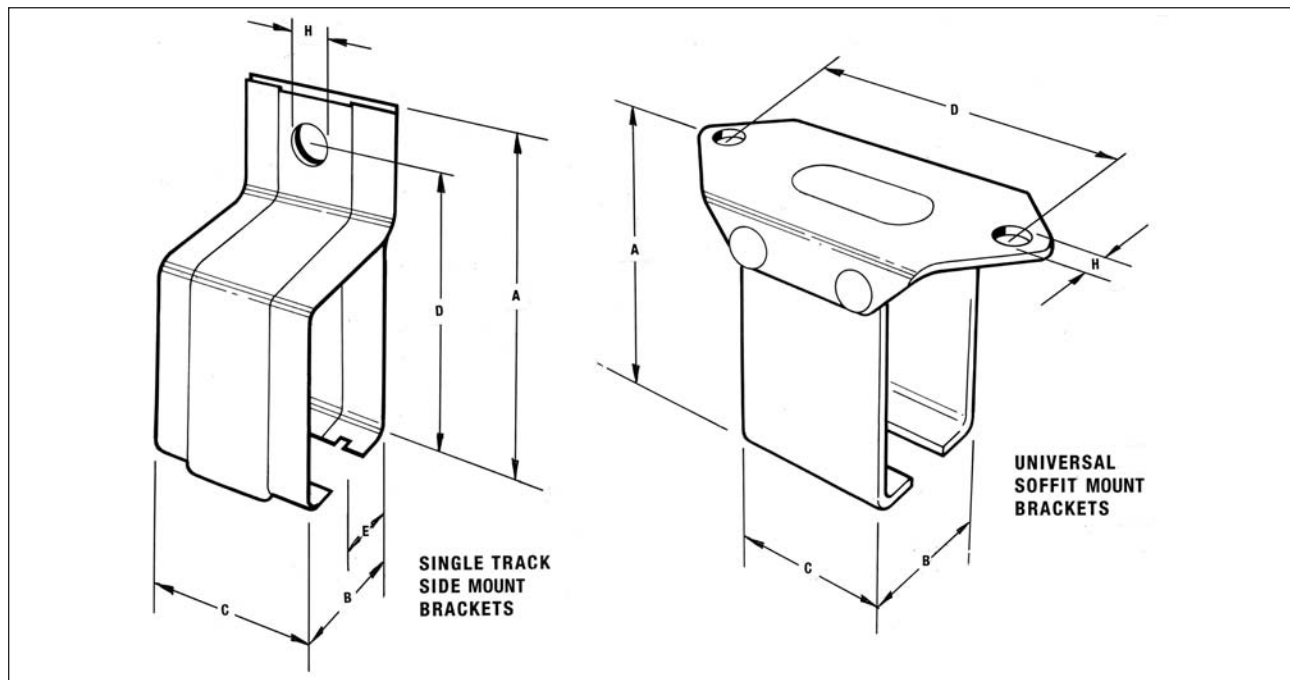
All steel and malleable iron brackets are supplied plated.

## SINGLE TRACK SIDE MOUNT BRACKETS

Track No.	A in	B in	C Open/ Closed in	C Lock- Joint in	D in	E in	H Bolt Dia. in
2-16	3 <sup>5</sup> / <sub>8</sub>	2	1 <sup>15</sup> / <sub>16</sub>	1 <sup>15</sup> / <sub>16</sub>	3	1	<sup>3</sup> / <sub>8</sub>
3-20	4 <sup>3</sup> / <sub>4</sub>	2 <sup>3</sup> / <sub>8</sub>	2 <sup>3</sup> / <sub>8</sub>	2 <sup>3</sup> / <sub>8</sub>	4	1 <sup>3</sup> / <sub>8</sub>	<sup>1</sup> / <sub>2</sub>
3-25	4 <sup>3</sup> / <sub>4</sub>	2 <sup>11</sup> / <sub>16</sub>	2 <sup>3</sup> / <sub>8</sub>	3 <sup>3</sup> / <sub>8</sub>	4	<sup>7</sup> / <sub>16</sub>	<sup>5</sup> / <sub>8</sub>
4-30	6	3 <sup>3</sup> / <sub>16</sub>	2 <sup>15</sup> / <sub>16</sub>	3 <sup>15</sup> / <sub>16</sub>	5 <sup>1</sup> / <sub>8</sub>	1 <sup>3</sup> / <sub>4</sub>	<sup>5</sup> / <sub>8</sub>
10-30							
8-25	4	2 <sup>3</sup> / <sub>16</sub>	2	2	3 <sup>1</sup> / <sub>4</sub>	1 <sup>1</sup> / <sub>8</sub>	<sup>1</sup> / <sub>2</sub>

## UNIVERSAL SOFFIT MOUNT BRACKETS

Track No.	A in	B in	C in	D in	H Bolt Dia. in
2-16	2 <sup>3</sup> / <sub>4</sub>	1 <sup>3</sup> / <sub>4</sub>	1 <sup>3</sup> / <sub>4</sub>	3 <sup>1</sup> / <sub>2</sub>	<sup>5</sup> / <sub>16</sub>
3-20					
3-25	3 <sup>11</sup> / <sub>16</sub>	2 <sup>1</sup> / <sub>4</sub>	2 <sup>1</sup> / <sub>4</sub>	4 <sup>1</sup> / <sub>2</sub>	<sup>3</sup> / <sub>8</sub>
4-30					
10-30	4 <sup>3</sup> / <sub>4</sub>	3	3	5 <sup>1</sup> / <sub>2</sub>	<sup>1</sup> / <sub>2</sub>
8-25	2 <sup>7</sup> / <sub>8</sub>	2 <sup>1</sup> / <sub>4</sub>	2 <sup>1</sup> / <sub>4</sub>	4 <sup>1</sup> / <sub>2</sub>	<sup>3</sup> / <sub>8</sub>



# Top Track Brackets

## DOUBLE TRACK SIDE MOUNT BRACKETS

Type - 130 Open brackets.

- 051 Closed end piece to convert open brackets to any hand of closed end.
- 132 Lock joint brackets.

Track No.	A in	B in	C in	D in	H Bolt Dia. in
2-16	4 <sup>1</sup> / <sub>4</sub>	1 <sup>3</sup> / <sub>4</sub>	1 <sup>3</sup> / <sub>4</sub>	3 <sup>3</sup> / <sub>4</sub>	1 <sup>1</sup> / <sub>2</sub>
3-20	5 <sup>1</sup> / <sub>4</sub>	2 <sup>1</sup> / <sub>4</sub>	2 <sup>1</sup> / <sub>4</sub>	4 <sup>15</sup> / <sub>16</sub>	5 <sup>5</sup> / <sub>8</sub>
3-25					
4-30	7 <sup>13</sup> / <sub>16</sub>	3	3	6 <sup>5</sup> / <sub>8</sub>	3 <sup>3</sup> / <sub>4</sub>
10-30					
8-25	5	2 <sup>1</sup> / <sub>4</sub>	2 <sup>1</sup> / <sub>4</sub>	4 <sup>1</sup> / <sub>8</sub>	5 <sup>5</sup> / <sub>8</sub>

## SINGLE TRACK ADJUSTABLE SIDE MOUNT BRACKETS

Type - 4-120 Open brackets.

- 4-051 Closed end piece to convert open brackets to any hand of closed end.
- 4-122 Lock joint brackets.

Track No.	A in	B in	C in	D in	H Bolt Dia. in	M Min. in	M Max. in
4-30	7 <sup>1</sup> / <sub>8</sub>	3	3	6 <sup>5</sup> / <sub>8</sub>	5 <sup>5</sup> / <sub>8</sub>	1 <sup>1</sup> / <sub>2</sub>	2 <sup>1</sup> / <sub>8</sub>
10-30							

## JOINT AND END BRACKETS

For the track brackets shown on this page, detachable end plates are available to convert the open bracket to any hand of closed end. Lock joint brackets are supplied complete with set screw jointing device.

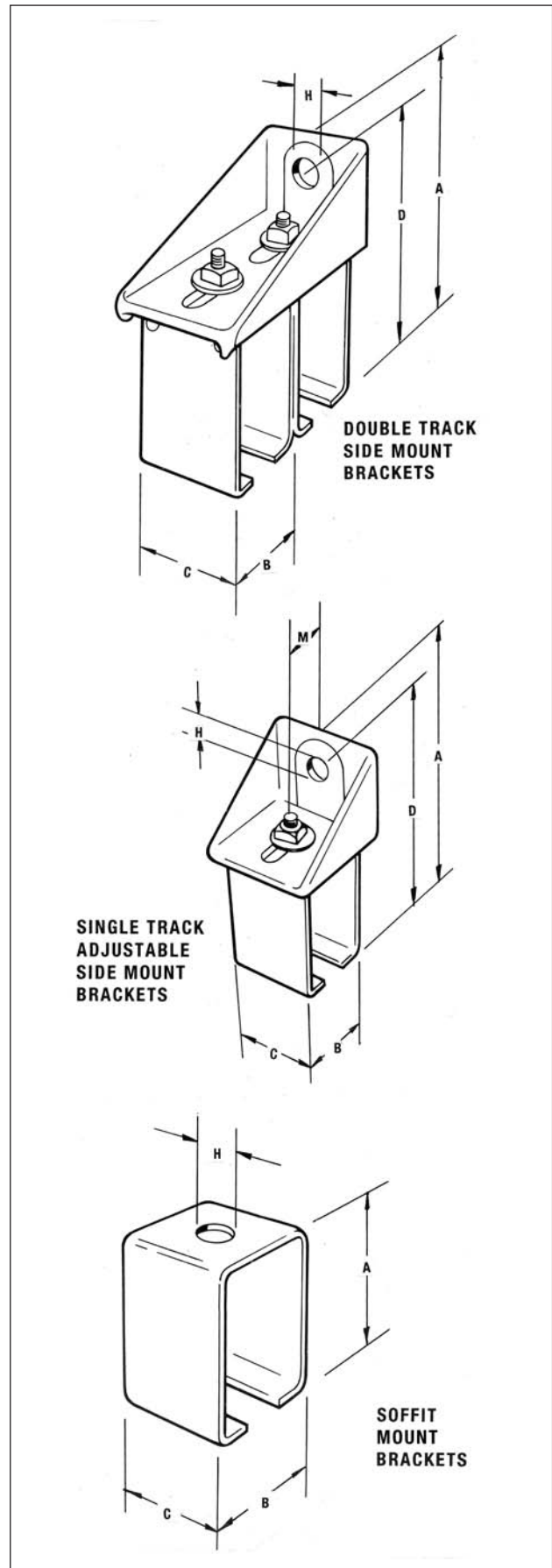
## SOFFIT MOUNT BRACKETS

For single or multiple track runs

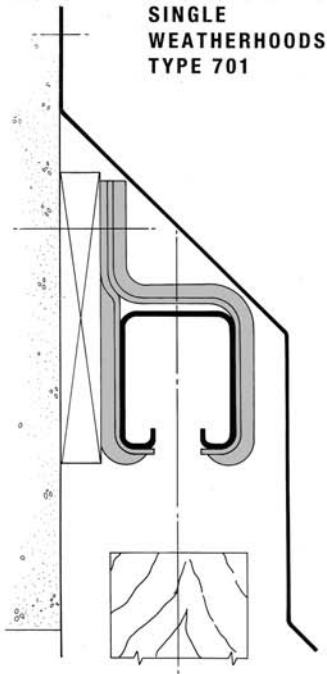
Type - 190 Open bracket.

- 051 Closed end piece to convert open brackets to any hand of closed end.
- 192 Lock joint brackets.

Track No.	A in	B in	C in	H Bolt Dia. in
2-16	2 <sup>9</sup> / <sub>16</sub>	1 <sup>3</sup> / <sub>4</sub>	4 <sup>1</sup> / <sub>4</sub>	4 <sup>1</sup> / <sub>4</sub>
3-20	3 <sup>3</sup> / <sub>16</sub>	2 <sup>1</sup> / <sub>4</sub>	2 <sup>1</sup> / <sub>4</sub>	1 <sup>1</sup> / <sub>2</sub>
3-25				
4-30	4 <sup>1</sup> / <sub>16</sub>	2 <sup>7</sup> / <sub>8</sub>	3	5 <sup>5</sup> / <sub>8</sub>
10-30				



# Bracket Spacing and Weatherhoods



**SINGLE WEATHERHOODS TYPE 701**

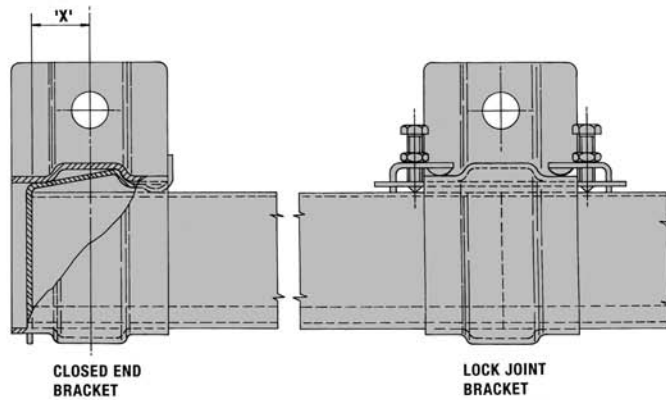
ALL WEATHERHOODS HAVE LAPPED JOINTS AND ARE SUPPLIED IN 7'11" LENGTHS.

END CAPS ARE SUPPLIED SEPARATELY AND ARE HANDED.

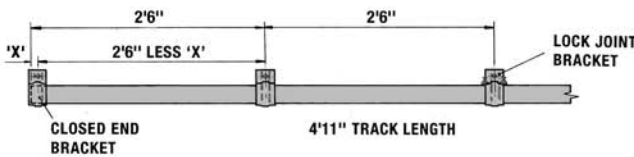
ALWAYS ORDER  $11^{13}/16$ " OR MORE WEATHERHOOD THAN TRACK LENGTH.

**SINGLE WEATHERHOODS FOR USE WITH TYPE 100 SIDE MOUNT BRACKETS**

TRACK	WEATHER HOOD	END CAP
2-16	2-701	2-703
3-20	3-701	3-703
3-25	3-701	3-703
8-25	3-701	3-703

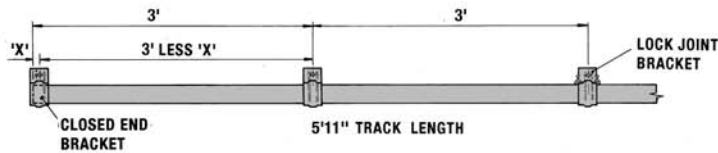


## BRACKET SPACINGS



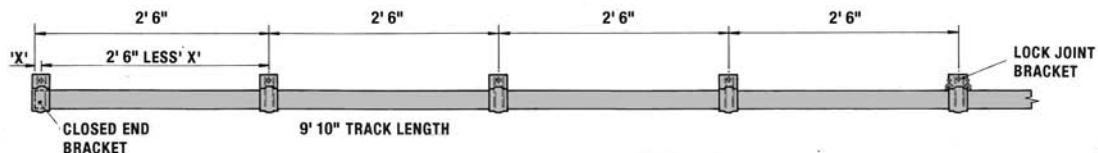
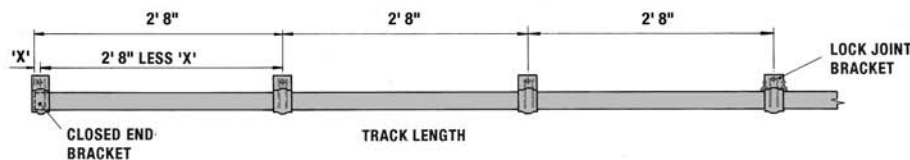
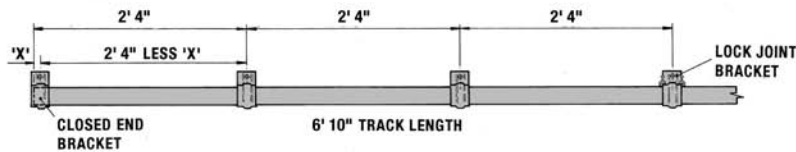
FOR TRACKS 2-16, 3-20, 3-25 & 4-30 THE CLOSED END PIECES ARE SEPARATE ITEMS.

FOR TRACKS 2-16, 3-20 & 8-25 SEPARATE LOCK JOINT PLATES ARE SUPPLIED TO CONVERT TYPE 100 OPEN SIDE WALL BRACKETS TO LOCK JOINT BRACKETS.



ADDITIONAL BRACKETS MAY BE NECESSARY WITH THE HEAVIEST GEARS - REFER TO APPROPRIATE DRAWINGS.

TRACK No.	DIMENSION 'X'
2-16	$5/8$ "
3-20	$3/4$ "
3-25	$3/4$ "
4-30	1"
8-25	$3/4$ "
10-30	1"





# Top Track Sections – Full Size

## TOP HUNG AND BOTTOM ROLLING DOORS

### DESIGN

Straight walls, generous corner radius and specially designed flat tread to give increased life and to match trolley wheels.

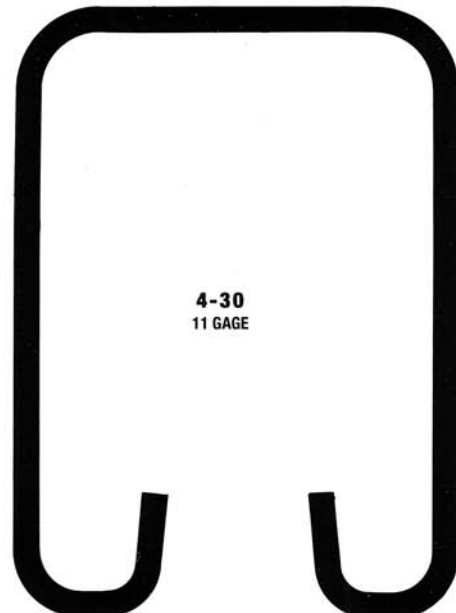
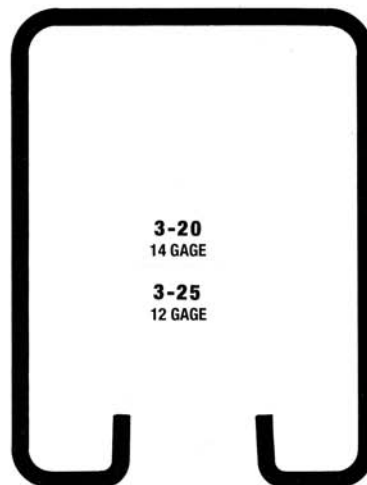
### MATERIAL

Tubular trolley tracks and top guide tracks are manufactured from cold rolled galvanized steel to BS EN 10142. Track lengths normally 6' to 10'. (For longer lengths see price list.)

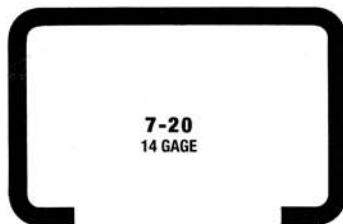
### CARRYING CAPACITIES

All tracks have been exhaustively tested, in conjunction with track brackets, to establish realistic carrying capacities. Track bracket spacings must not exceed 3'. Capacities shown are for normal manual installations. Consult Hillaldam Coburn for all unusual and mechanically operated doors.

## TRACK SECTIONS FOR TOP HUNG DOORS



## TOP GUIDE TRACKS FOR BOTTOM ROLLING DOORS



# Floor Channels and Bottom Tracks

## FULL SIZE SECTIONS

A comprehensive range of floor channels and bottom tracks in steel, aluminum and brass. Lengths 5'11" to 9'10" (44-1 to 13'1").

## STEEL FLOOR CHANNELS

Manufactured from cold rolled galvanized material. Available as extras are lugs for concrete and connecting shoes to ensure perfect alignment. 45-1 channel incorporates built-in lugs which grip concrete along its entire length.

## BRASS CHANNELS AND TRACKS

Normally supplied drilled and countersunk for screw mounting direct into wood sill or threshold.

## STEEL BOTTOM TRACKS

For bottom rolling doors. Mounting directly into concrete, connecting shoes ensure perfect alignment between track lengths.



**41-2 CHANNEL**  
ALUMINIUM  $\frac{5}{8}$ " x  $\frac{1}{2}$ "



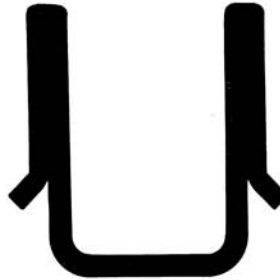
**44-1 CHANNEL**  
STEEL 1" x 1"



**44-2 CHANNEL**  
ALUMINIUM 1" x 1"



**44-3 CHANNEL**  
BRASS  $\frac{7}{8}$ " x  $\frac{7}{8}$ "



**45-1 CHANNEL**  
STEEL  $1\frac{1}{16}$ " x  $1\frac{1}{16}$ "



**64-3 BOTTOM TRACK**  
BRASS  $\frac{7}{16}$ " x  $1\frac{1}{4}$ "



**66-1 BOTTOM TRACK**  
STEEL  $\frac{3}{8}$ " x  $\frac{13}{16}$ "



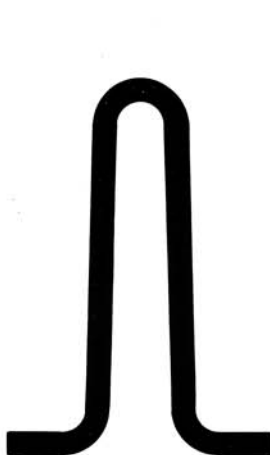
**66-3 BOTTOM TRACK**  
BRASS  $\frac{3}{8}$ " x  $\frac{13}{16}$ "



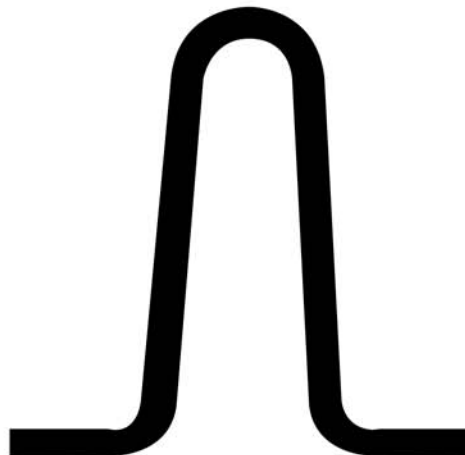
**70-3 BOTTOM TRACK**  
BRASS  $\frac{3}{8}$ " x 1"



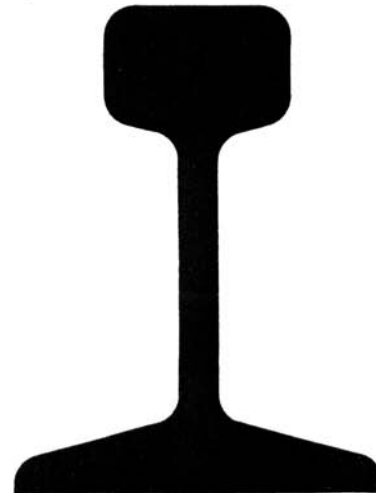
**72-3 BOTTOM TRACK**  
BRASS  $\frac{9}{16}$ " x  $1\frac{1}{16}$ "



**86-1 BOTTOM TRACK**  
STEEL 2" x  $1\frac{1}{8}$ "



**89-1 BOTTOM TRACK**  
STEEL  $2\frac{3}{8}$ " x  $2\frac{3}{8}$ "



**90-1 BOTTOM TRACK**  
STEEL  $2\frac{9}{16}$ " x 2"

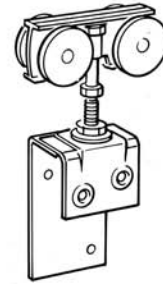
# Door Hangers



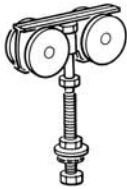
1-203



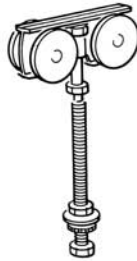
2-203



2-201



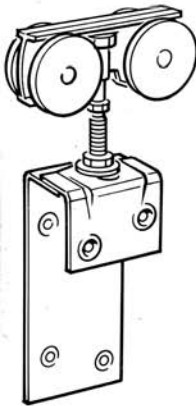
2-207



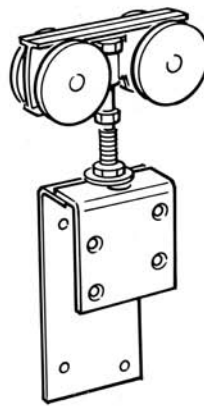
2-210



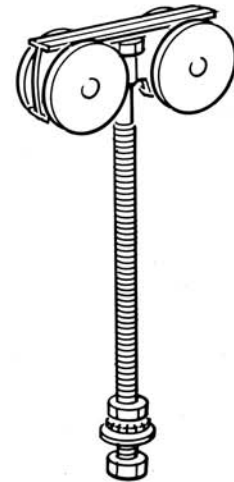
2-206



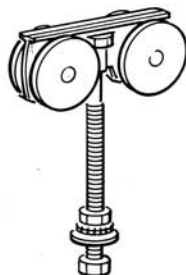
3-201  
3-301 (Nylon Wheels)



3-202



3-210

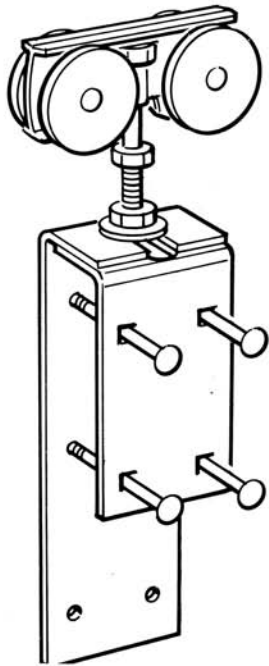


3-207  
3-208 (Nylon Wheels)

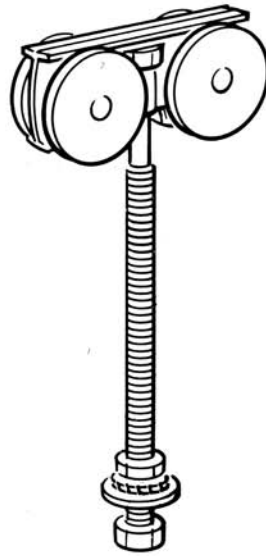


3-206

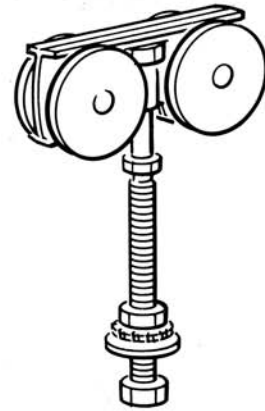




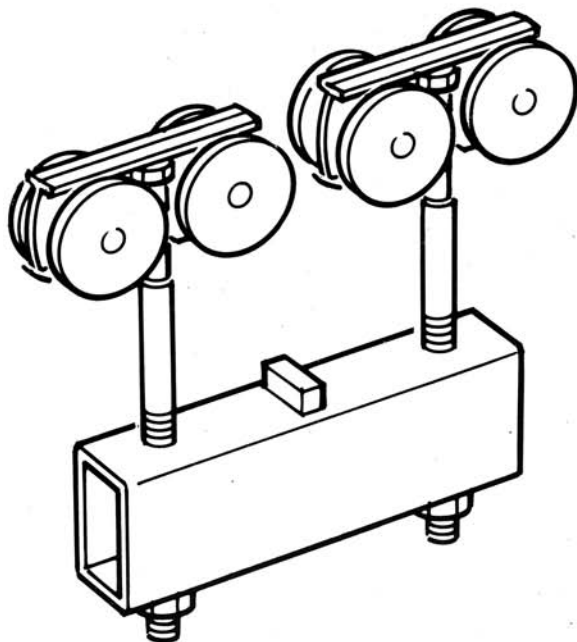
4-201



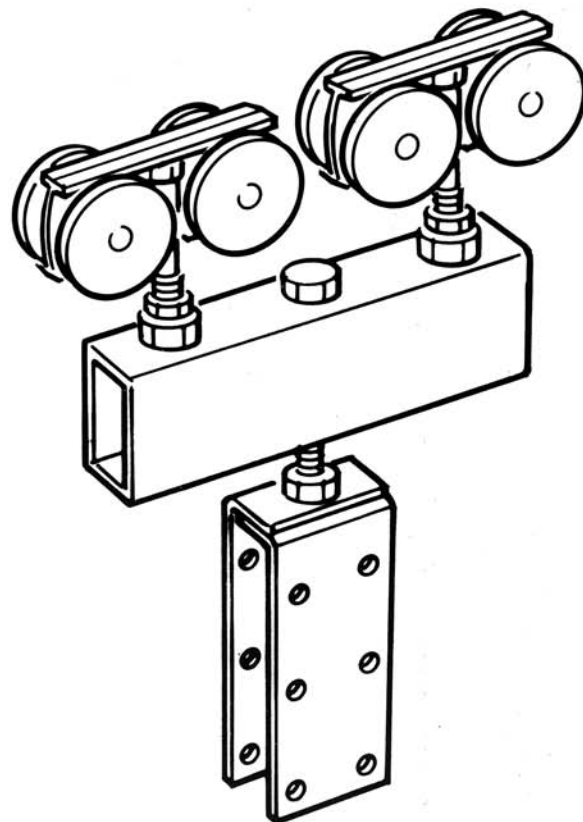
4-210



4-207



4-208



4-204

# Straightaway Series 100 Sliding Door Gear

## FOR INTERIOR AND EXTERIOR STRAIGHT SLIDING DOORS WEIGHING UP TO 220 LB.

### APPLICATION

Top hung straight sliding doors for domestic, schools, hospitals and light agricultural, industrial and commercial applications.

### RANGE

Maximum door weight	220 lb (100kg)
Maximum door height	8' (2.5m)
Door thickness	3/4" to 2" (20 to 50mm)

### DOOR CONSTRUCTION

Normal wood framed construction, flush paneled, glazed or framed, ledged and braced. Adequate top rail required to provide secure mounting of hanger. Minimum door thickness 1 3/16" when using floor guide channel. Metal doors of light angle or channel frame construction, minimum thickness 1 3/16".

### TRACK

1-14 stainless steel track and 1-22 extruded aluminium track available as options.

### TRACK BRACKETS

1-100 Steel, side mounting with two screws. Alternatively 1-105 Extruded aluminum, open side mount bracket. 1-007 closed end piece to convert 1-105 open bracket to any hand of closed end.

### HANGERS

1-203 For wood or metal doors. Steel construction, 4 nylon wheels, ball bearings lubricated for life. Vertical and lateral adjustment.

### DOOR GUIDE

97-780 Pressed steel and nylon construction. Suitable for doors up to 4' 11" wide, 1 3/16" to 1 3/4" thick. Alternative guides shown below.

### TRACK END PIECE

1-719 Track end piece with holdback catch. Independent door stops should be fitted at mid height of door.

### FURNITURE

A range of door furniture is available.

### FINISHES

Top track galvanized. Hangers, steel brackets and door stops zinc plated. Furniture usually plated. A range of stainless steel components is also available.

### STANDARD PACKSETS

#### SINGLE DOOR COMPONENT PACK

100-010 comprising; 1 pair 1-203 nylon wheel hangers, 2 only 1-719 track door stops, 97-780 No channel door guide, spanner, installation details and all screws.

#### TOP TRACK

available in the following standard lengths:

1-12-15 length 4' 11"	1-12-24 length 7' 10"
1-12-18 length 5' 11"	1-12-30 length 9' 10"
1-12-21 length 6' 10"	See price list for longer lengths.

#### SIDE MOUNTING TRACK BRACKET PACKS

1-005 comprising 5 brackets with mounting screws for track lengths 4' 11", 5' 11" or 6' 10".

1-008 comprising 8 brackets with mounting screws for track lengths 7' 10" or 9' 10".

## ALTERNATIVE BOTTOM GUIDING FOR STRAIGHT SLIDING DOORS

### INTERIOR WOOD DOORS

FOR DOORS UP TO 4' 11" WIDE 44-2 Aluminum channel housed in underside of door with 44-371 polypropylene guide mounted at corner of opening leaving clear threshold.

FOR DOORS OVER 4' 11" WIDE 2 only 41-346 nylon blade door guides mounted to each door, in conjunction with 41-2 aluminum floor channel, drilled and c/sk for woodscrew mounting.

### EXTERIOR DOORS

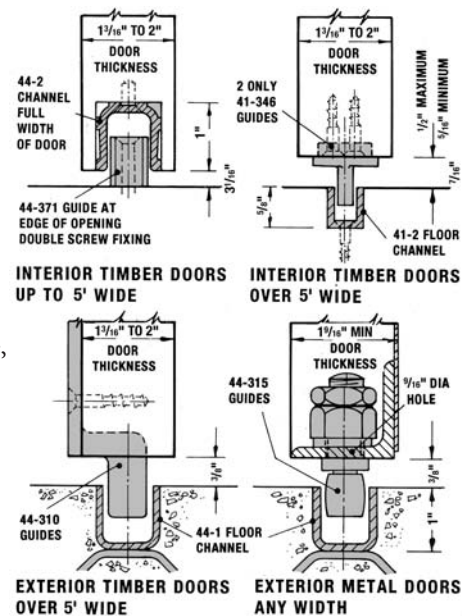
WOOD DOOR GUIDES 44-310 Malleable iron for 1 3/16" to 2" doors, in conjunction with 44-1 floor channel.

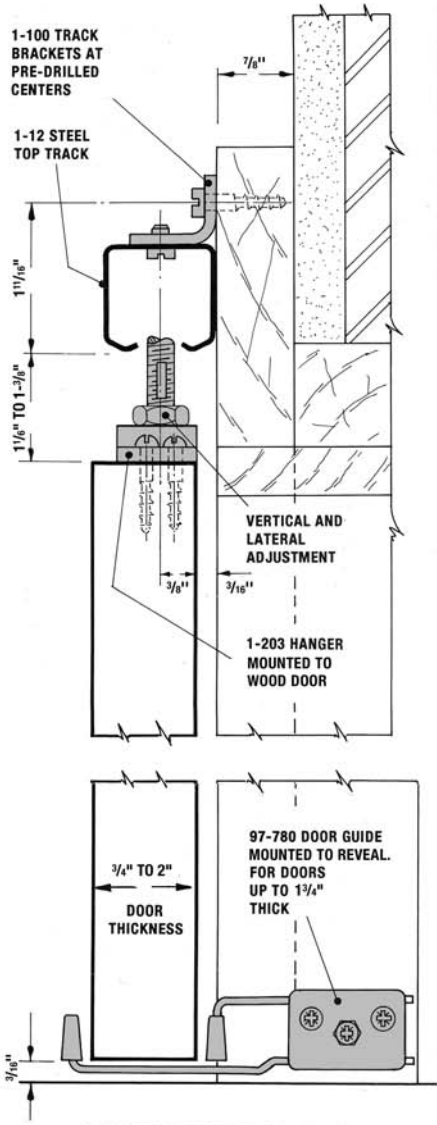
METAL DOOR GUIDES 44-315 Brass roller with zinc plated steel spindle, in conjunction with 44-1 floor channel.

FLOOR CHANNEL 44-1 steel, lugged for concrete, with shoes for joints. 44-2 aluminum, drilled and c/sk for woodscrew mounting. Lengths 4' 11" to 9' 10".

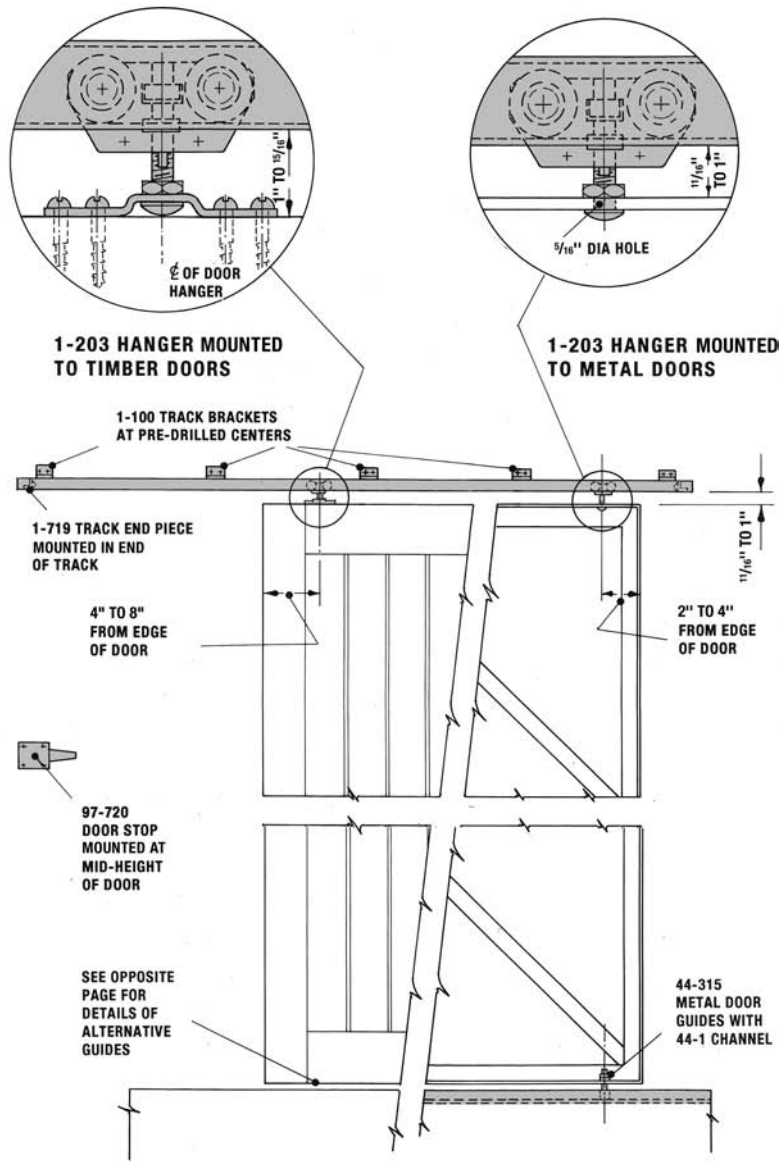
### PERFORMANCE

All Series 100 sliding door gear mountings have been tested for endurance and strength. Each type of 4 wheel hanger together with its associated mountings has been loaded to the maximum stated capacities and tested over 100,000 cycles without failure.

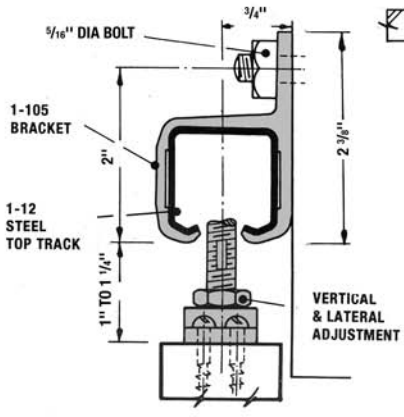




SECTION THROUGH OPENING



ELEVATION OF WOOD AND METAL DOORS



ALTERNATIVE TOP TRACK BRACKETS NOT SUITABLE FOR USE WITH 1-22 ALUMINIUM TRACK



PLAN OF DOORS



# Straightaway 216 Sliding Door Gear

## FOR DOORS ON SINGLE TRACKS

### APPLICATION

Top hung straight sliding doors of light construction on single runs of track. For factories, garages, warehouses etc.

### RANGE

Maximum door weight 440 lb (200kg) Maximum door height 13ft (4.0m).

Consider wind pressure in exposed positions, if in doubt consult manufacturer.

Wood door thickness 1 $\frac{3}{8}$ " to 1 $\frac{3}{4}$ ". Metal door thickness 1 $\frac{1}{2}$ " (40mm).

### DOOR CONSTRUCTION

Wood doors usually framed, ledged and braced. Stiles should be a minimum of 3 $\frac{3}{8}$ " to accommodate hanger aprons. Metal doors usually angle framed, or hollow tubular sections, sheeted one or both sides. Ensure adequate bracing. Weatherhoods are recommended on external doors.

### MOUNTING

Track brackets usually side mounting. Floor channel set flush and guides normal but stay rollers or floor guides are an alternative. All hangers have vertical adjustment.

### HANGERS

All steel, ball bearing lubricated for life. 2-201 wood doors, vertical and lateral adjustment. 2-203 top plate mounting for wood doors, vertical adjustments. 2-207 metal doors, vertical adjustment. 2-210 Metal door hanger designed for use with hollow tubular frame sections up to 3 $\frac{3}{4}$ " deep.

### TRACK

2-16 (16 gage) Galvanized steel to BS EN 10142. Lengths 5' 11" to 9' 10".

### TRACK BRACKETS

Steel. See drawing and full range details pages 3-4.

### DOOR GUIDES

44-310 from 1 $\frac{3}{8}$ " to 1 $\frac{3}{4}$ " wood doors. 44-315 for metal doors.

### FLOOR CHANNEL

44-1 Galvanized Steel. Lugs available for concrete with shoes for joints. Lengths 5' 11" to 9' 10".

### WEATHERHOODS

2-701 Galvanized steel to BS EN 10142. Length 8'. 2-703 end caps.

### FURNITURE

A range of door furniture and locking arrangements is available.

### DOOR STOPS

97-711 Side mounting at mid-height of door.

### FINISHES

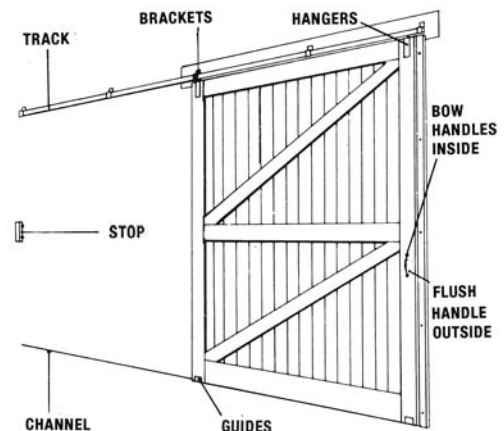
Track and hanger aprons galvanized; brackets and furniture plated.

## EXAMPLE

QUANTITIES FOR A SINGLE WOOD SLIDING DOOR  
5' 7" Wide x 6' 10" high x 1 $\frac{3}{4}$ " thick, weight 330lb

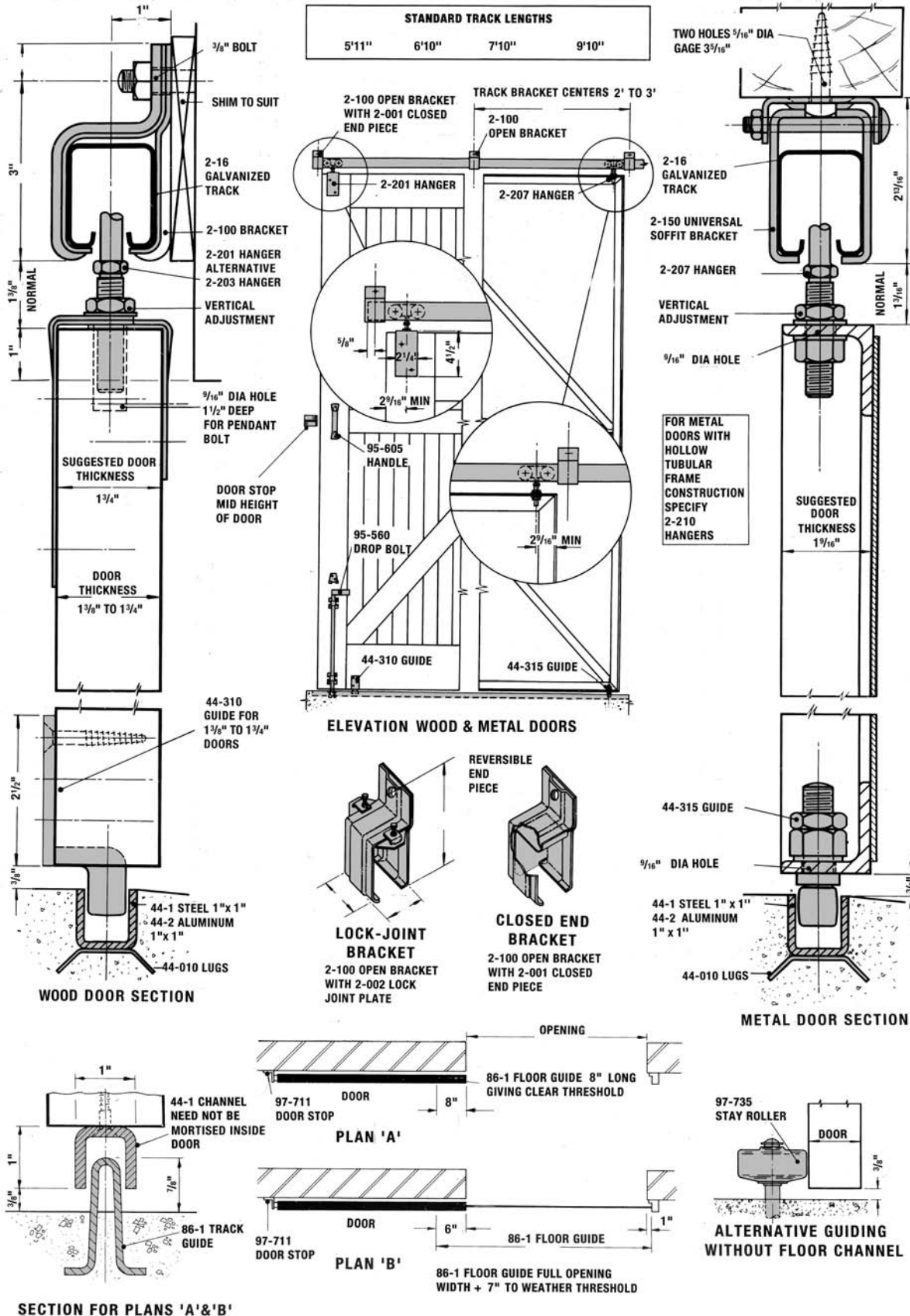
### A TYPICAL BILL OF QUANTITIES

ITEM				
A	2-16	Track, 2 x 5' 11"	11' 10"	
B	2-100	Brackets, open, side mounting	5	NO.
C	2-001	Closed end piece (pair)	1	NO.
D	2-002	Lock joint plate	1	NO.
E		Bolts for brackets (by others)	5	NO.
F	2-201	Hangers, ball bearing and screws (pair)	1	NO.
G	44-310	Bottom guides and screws	2	NO.
H	44-1	Steel floor channel 2 x 5' 11"	11' 10"	
J	44-010	Channel lugs (pack)	2	NO.
K	44-011	Channel connecting shoe	1	NO.
L	95-605	Bow handle and screws	1	NO.
M	95-560	Drop bolt and screws	1	NO.
N	95-617	Flush handle and screws	1	NO.
O	97-711	Door stop	1	NO.
P		Locking arrangements IF EXTERNAL DOOR		
Q	2-701	Weatherhood 2 x 7' 10"	15' 8"	
R	2-703	Weatherhood end caps	2	NO.





# Head Details & Stacking Arrangements



# Straightaway 216 Sliding Door Gear

## FOR DOORS ON DOUBLE PARALLEL TRACKS

### APPLICATION

Top hung straight sliding doors of light construction on multiple runs of track. For factories, garages, warehouses etc.

### RANGE

Maximum door weight 275 lb (125kg) Maximum door height 2.7m (9ft). Single track capacities, as shown on page 2, apply to doors operating on double or multiple track runs supported by individual soffit mounting brackets. Consider wind pressure in exposed positions, if in doubt consult manufacturer. Wood door thickness 1<sup>3</sup>/<sub>8</sub>" to 1<sup>3</sup>/<sub>4</sub>". Metal door thickness 1<sup>1</sup>/<sub>6</sub>".

### DOOR CONSTRUCTION

Wood doors usually framed, ledged and braced. Stiles should be a minimum of 3<sup>5</sup>/<sub>8</sub>" to accommodate hanger aprons. Metal doors usually angle framed, or hollow tubular sections, sheeted one or both sides. Ensure adequate bracing.

### MOUNTING

Track brackets usually side mounting. Floor channel set flush and guides normal, but stay rollers or guides are an alternative. All hangers have vertical adjustment.

### HANGERS

All steel, ball bearing lubricated for life. 2-201 wood doors, vertical and lateral adjustment. 2-203 top plate mounting for wood doors, vertical adjustments. 2-207 metal doors, vertical adjustment. 2-210 Metal door hanger designed for use with hollow tubular frame sections up to 3<sup>3</sup>/<sub>4</sub>" deep.

### TRACK

2-16 (16 gage) Galvanized steel to BS EN 10142. Lengths 5' 11" to 9' 10".

### TRACK BRACKETS

Steel and malleable iron. See drawing and full range pages 3-4.

### DOOR GUIDES

44-310 from 1<sup>3</sup>/<sub>8</sub>" to 1<sup>3</sup>/<sub>4</sub>" wood doors. 44-315 for metal doors.

### FLOOR CHANNEL

44-1 Galvanized Steel. Lugs available for concrete also shoes for joints. Lengths 5' 11" to 9' 10".

### FURNITURE

A range of door furniture and locking arrangements are available.

### DOOR STOPS

Placed at mid-height of doors.

### FINISHES

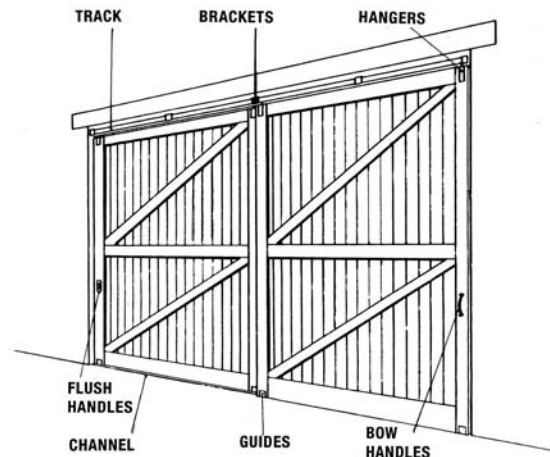
Track and hanger aprons galvanized; brackets and furniture plated.

## EXAMPLE

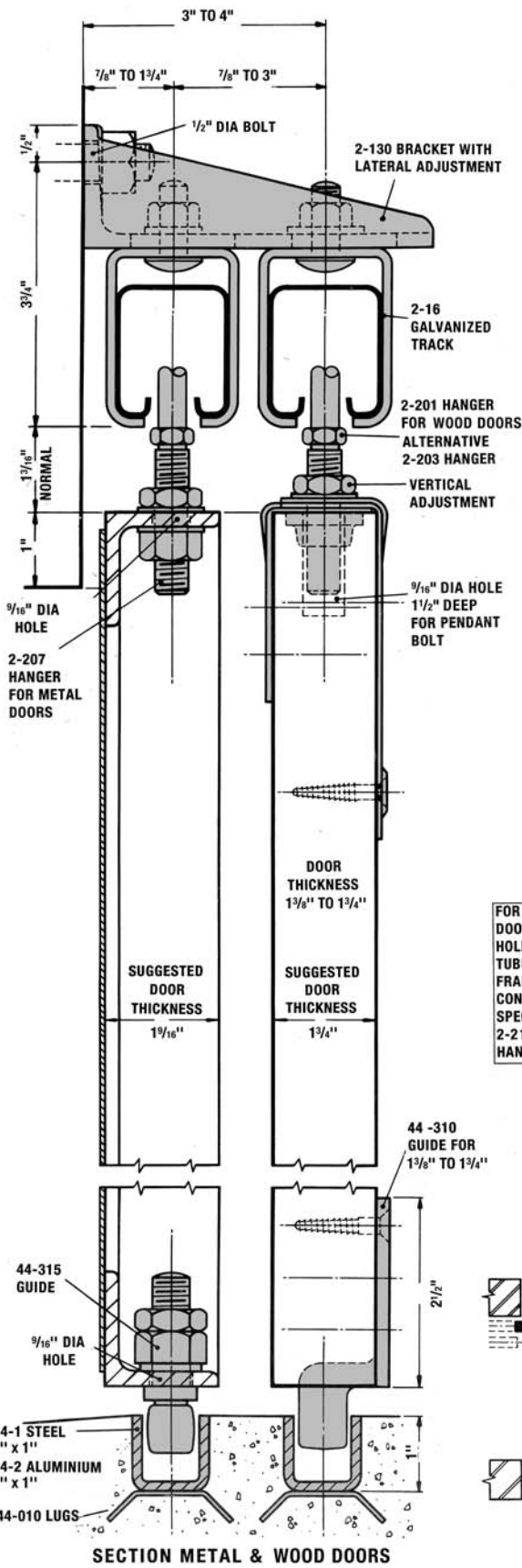
**QUANTITIES FOR A TWO LEAF WOOD DOOR SLIDING WITHIN OPENING:**  
Opening width 11'10" x 6'10" high. Each leaf 1<sup>3</sup>/<sub>4</sub>" thick, weight 180 lb.

### A TYPICAL BILL OF QUANTITIES

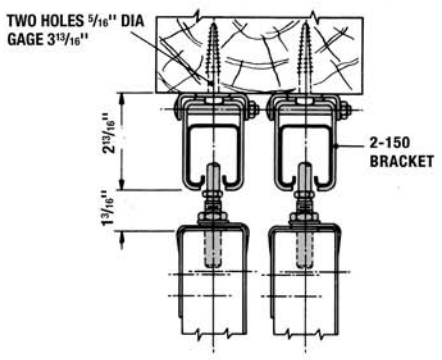
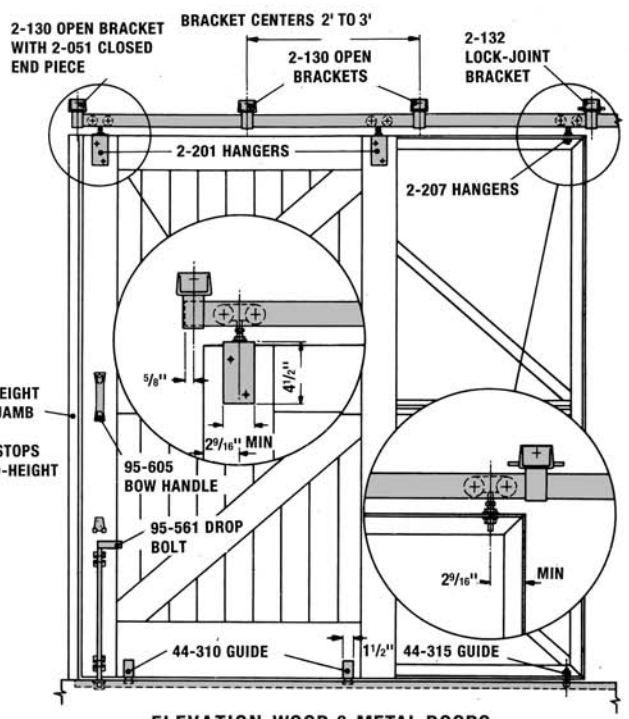
ITEM			
A	2-16	Track, 4 x 5' 11"	23' 8"
B	2-130	Brackets, open, side mounting	4 NO.
C	2-051	Closed end pieces (pair)	2 NO.
D	2-132	Brackets, Lock-joint, side mounting	1 NO.
E		Bolts for brackets (by others)	5 NO.
F	2-201	Hangers, ball bearing and screws (pair)	2 NO.
G	44-310	Bottom guides and screws	4 NO.
H	44-1	Steel floor channel 4 x 5' 11"	23' 8"
J	44-010	Channel lugs (pack)	4 NO.
K	44 011	Channel connecting shoe	2 NO.
L	95-605	Bow handle and screws	2 NO.
M	95-617	Flush handle and screws	2 NO.
N		Locking arrangements	
O		Door stops	



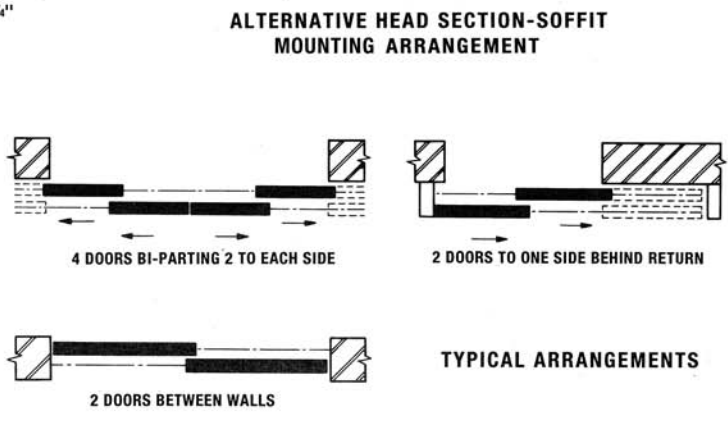




STANDARD TRACK LENGTHS			
5'11"	6'10"	7'10"	9'10"



FOR METAL DOORS WITH HOLLOW TUBULAR FRAME CONSTRUCTION SPECIFY 2-210 HANGERS



# Straightaway 320 Sliding Door Gear

## FOR DOORS ON SINGLE TRACKS

### APPLICATION

Top hung straight sliding doors on single runs of track.  
For factories, garages, warehouses etc.

### RANGE

Track size	3-20
Maximum door weight	880 lb (400kg)
Maximum door height	16ft (5.0m)

Consider wind pressure in exposed positions, if in doubt consult gear makers. Wood door thickness 1¾" to 2¼". Metal door thickness 2".

### DOOR CONSTRUCTION

Wood doors usually framed, ledged and braced. Stiles should be a minimum of 5" to accommodate hanger aprons. Metal doors usually angle framed or hollow tubular sections, sheeted one or both sides. Ensure adequate bracing. Weatherhoods are recommended on external doors.

### MOUNTING

Track brackets usually side mounting. Floor channel set flush and guides normal, but stay rollers or floor guides are an alternative. All hangers have vertical adjustment.

### HANGERS

All steel, ball bearing lubricated for life. 3-201 wood doors, vertical and lateral adjustment. 3-207 metal doors, vertical adjustment. 3-210 Metal door hangers designed for use with hollow tubular frame sections up to 3¾" deep.

### TRACK

Galvanized steel to BS EN 10142. 3-20 (14 gage). Lengths 5' 11" to 9' 10". See range for capacities.

### TRACK BRACKETS

Steel. See drawing and full range details pages 3-4.

### DOOR GUIDES

45-311 for 1¾" to 2¼" timber doors. 45-315 for metal doors.

### FLOOR CHANNEL

45-1 Galvanized Steel, deep section grips concrete along entire length with shoes for joints. Length 5' 11" to 9' 10".

### WEATHERHOODS

3-701 Galvanized steel to BS EN 10142. Length 7' 10". 3-703 end caps.

### FURNITURE

A range of door furniture and locking arrangements is available.

### DOOR STOPS

97-711 side mounting at mid-height of door.

### FINISHES

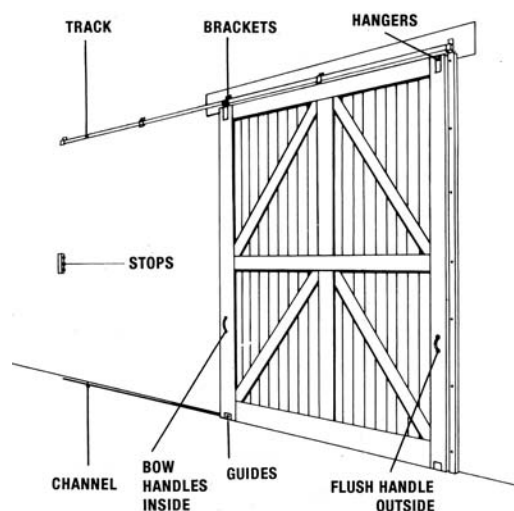
Track and hanger aprons galvanized; brackets and furniture plated.

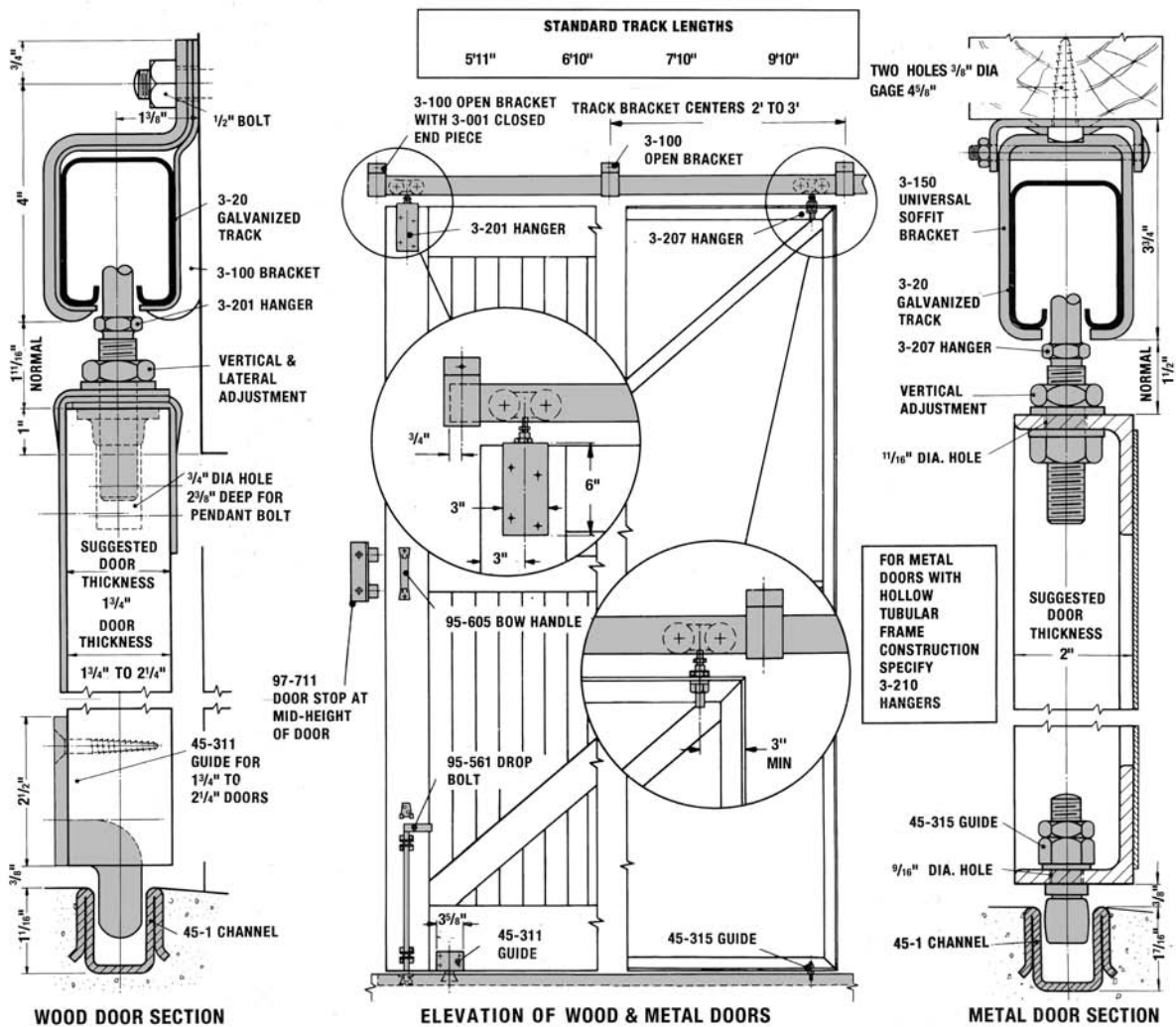
## EXAMPLE

### QUANTITIES FOR A SINGLE WOOD SLIDING DOOR 5' 11" Wide x 8' 10" high x 1¾" thick, weight 450 lb

#### A TYPICAL BILL OF QUANTITIES

ITEM			
A	3-20	Track, 2 x 5' 11"	11' 10"
B	3-100	Brackets, open, side mounting	5 NO.
C	3-001	Closed end pieces	2 NO.
D	3-002	Lock joint plate	1 NO.
E		Bolts for brackets (by others)	5 NO.
F	3-201	Hangers, ball bearing and screws (pair)	1 NO.
G	45-311	Bottom guides and screws	2 NO.
H	45-1	Steel floor channel 2 x 5' 11"	11' 10"
J	45-011	Channel connecting shoe	1 NO.
K	95-605	Bow handle and screws	1 NO.
L	95-617	Flush handle and screws	1 NO.
M	95-561	Drop bolt and screws	1 NO.
N	97-711	Door stop	1 NO.
O		Locking arrangements IF EXTERNAL DOOR	
P	3-701	Weatherhood 2 x 7' 10"	15' 8"
Q	3-703	Weatherhood end caps	2 NO.

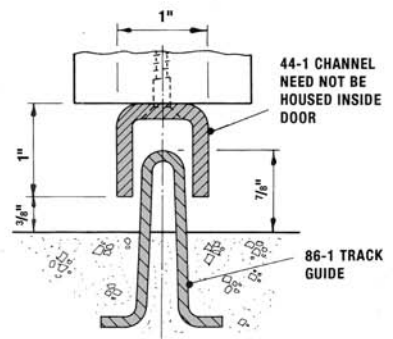
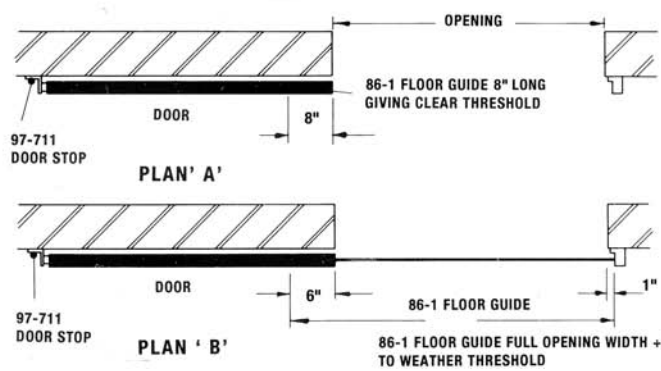
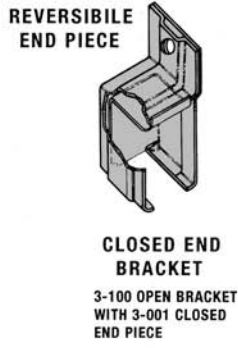
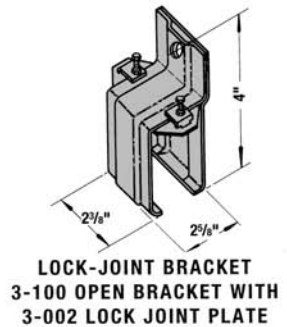




WOOD DOOR SECTION

ELEVATION OF WOOD & METAL DOORS

METAL DOOR SECTION



# Straightaway 320 Sliding Door Gear

## FOR DOORS ON DOUBLE PARALLEL TRACKS

### APPLICATION

Top hung parallel straight sliding doors on multiple runs of track. For factories, garages, warehouses etc.

### RANGE

Track size	3-20
Maximum door weight	500 lb (225kg)
Maximum door height	11ft (3.3m)

Single track capacities, as shown on page 2, apply to doors operating on double or multiple track runs supported by individual soffit mounting brackets. Consider wind pressure in exposed positions, if in doubt consult manufacturer. Wood door thickness 1 3/4" to 2 1/4". Metal door thickness 2".

### DOOR CONSTRUCTION

Wood doors usually framed, ledged and braced. Stiles should be a minimum of 5" to accommodate hanger aprons. Metal doors usually angle framed or hollow tubular sections, sheeted one or both sides. Ensure adequate bracing.

### MOUNTING

Track brackets usually side mounting. Floor channel set flush and guides normal, All hangers have vertical adjustment.

### HANGERS

All steel, ball bearing lubricated for life. 3-201 wood doors, vertical and lateral adjustment. 3-207 metal doors, vertical adjustment. 3-210 Metal door hangers designed for use with hollow tubular frame sections up to 3 3/8" deep.

### TRACK

Galvanized steel to BS EN 10142. 3-20 (14 gage). Lengths 5' 11" to 9' 10". See range for capacities.

### TRACK BRACKETS

Steel and malleable iron. See drawing and full range details pages 3-4.

### DOOR GUIDES

45-311 for 1 3/4" to 2 1/4" wood doors. 45-315 for metal doors.

### FLOOR CHANNEL

45-1 Steel, deep section grips concrete along entire length with shoes for joints. Lengths 5' 11" to 9' 10".

### FURNITURE

A range of door furniture and locking arrangements are available.

### DOOR STOPS

Placed at mid-height of doors.

### FINISHES

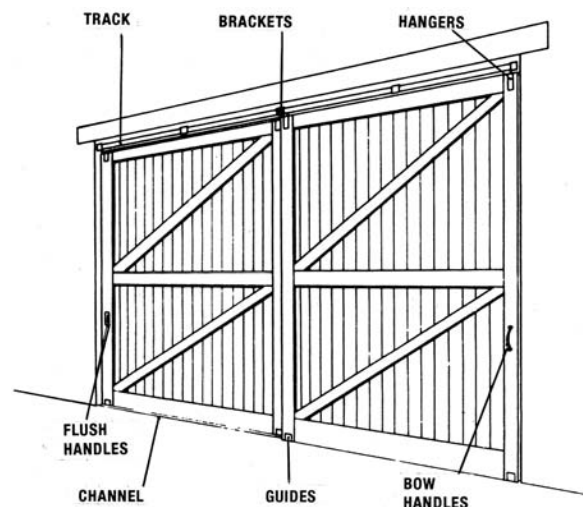
Track and hanger aprons galvanized; brackets and furniture plated.

## EXAMPLE

**QUANTITIES FOR A TWO LEAF WOOD DOOR SLIDING WITHIN OPENING: Opening width 12' x 8' 10" high. Each leaf 1 3/4" thick, weight 290 lb**

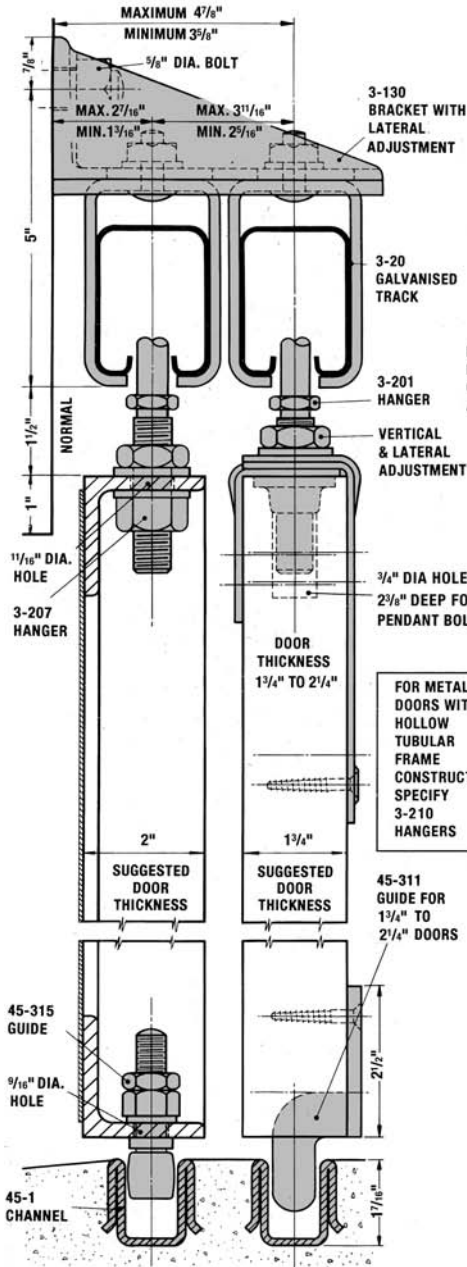
### A TYPICAL BILL OF QUANTITIES

ITEM				
A	3-20	Track, 4 x 5' 11"	23' 8"	
B	3-130	Brackets, open, side mounting	4	NO.
C	3-051	Closed end pieces	4	NO.
D	3-132	Brackets, lock-joint, side mounting	1	NO.
E		Bolts for brackets (by others)	5	NO.
F	3-201	Hangers, ball bearing and screws (pair)	2	NO.
G	45-311	Bottom guides and screws	4	NO.
H	45-1	Steel floor channel 4 x 5' 11"	23' 8"	
J	45-011	Channel connecting shoes	2	NO.
K	95-605	Bow handles and screws	2	NO.
L	95-617	Flush handles and screws	2	NO.
M		Locking arrangements		
N		Door stops		

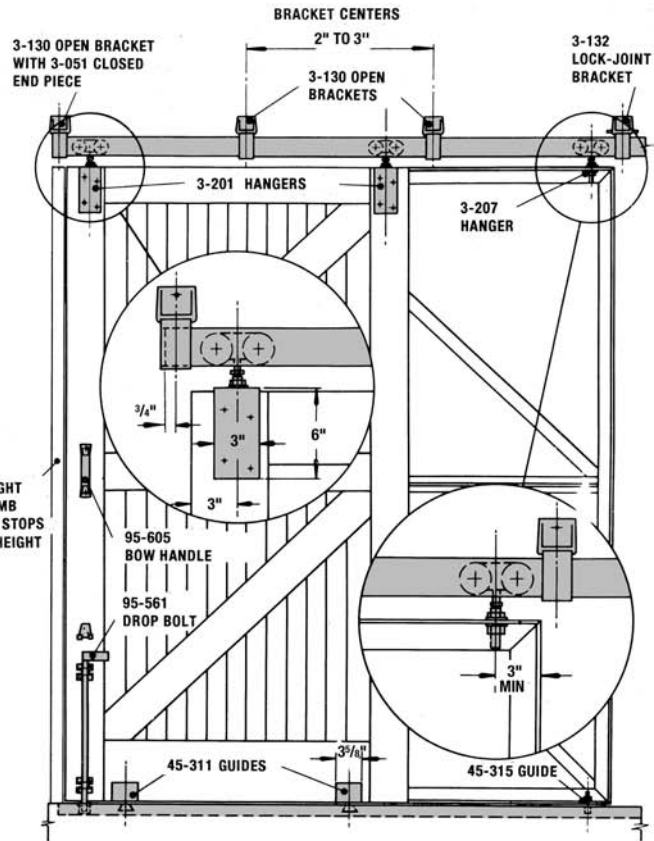




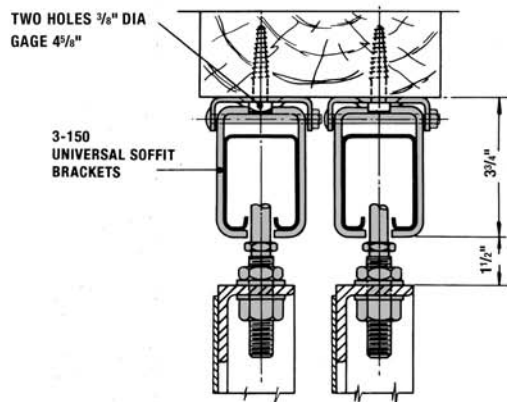
STANDARD TRACK LENGTHS			
5'11"	6'10"	7'10"	9'10"



SECTION METAL & TIMBER DOORS



ELEVATION WOOD & METAL DOORS



ALTERNATIVE SOFFIT MOUNT HEAD SECTION



DOORS BI-PARTING TO EACH SIDE



DOORS BETWEEN WALLS

TYPICAL ARRANGEMENTS

# Straightaway 325 Sliding Door Gear

## FOR DOORS ON SINGLE TRACKS

### APPLICATION

Top hung straight sliding doors on single runs of track.  
For factories, garages, warehouses etc.

### RANGE

Track size 3-25  
Maximum door weight 1320 lb (600kg)  
Maximum door height 19ft (6.0m)

Consider wind pressure in exposed positions, if in doubt consult manufacturer. Wood door thickness 1 3/4" to 2 1/4".  
Metal door thickness 2".

### DOOR CONSTRUCTION

Wood doors usually framed, ledged and braced. Stiles should be a minimum of 5" to accommodate hanger aprons. Metal doors usually angle framed or hollow tubular sections, sheeted one or both sides. Ensure adequate bracing. Weatherhoods are recommended on external doors.

### MOUNTING

Track brackets usually side mounting. Floor channel set flush and guides normal but stay rollers or floor guides are an alternative. All hangers have vertical adjustment.

### HANGERS

All steel, ball bearing lubricated for life. 3-202 wood doors, vertical and lateral adjustment. 3-207 metal doors, vertical adjustment. 3-210 Metal door hanger designed for use with hollow tubular frame sections up to 3 5/8" deep.

### TRACK

Galvanized steel to BS EN 10142. 3-25 (12 gage). Lengths 5' 11" to 9' 10".

### TRACK BRACKETS

Aluminum. See drawing and full range details pages 3-4.

### DOOR GUIDES

45-311 for 1 3/4" to 2 1/4" wood doors. 45-315 for metal doors.

### FLOOR CHANNEL

45-1 Steel, deep section grips concrete along entire length with shoes for joints. Lengths 5' 11" to 9' 10".

### WEATHERHOODS

3-701 Galvanized steel to BS EN 10142. Length 7' 10".  
3-703 end caps.

### FURNITURE

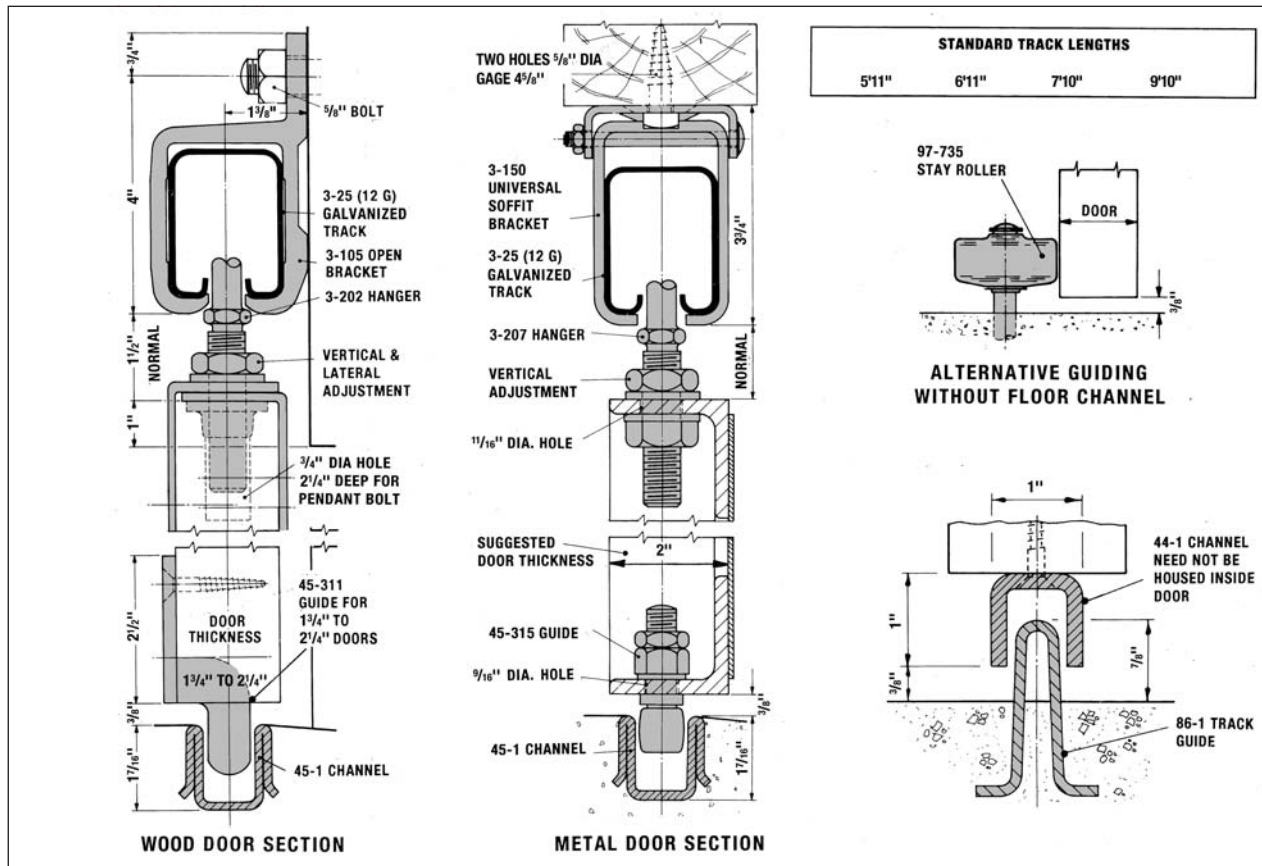
A range of door furniture and locking arrangements are available.

### DOOR STOPS

97-711 Side mounting at mid-height of door.

### FINISHES

Track galvanized; hanger aprons, brackets and furniture plated.





## EXAMPLE

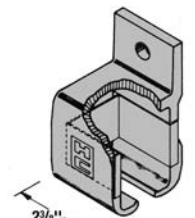
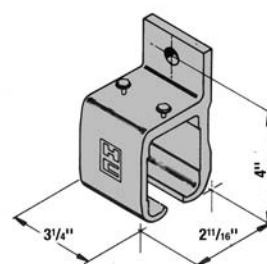
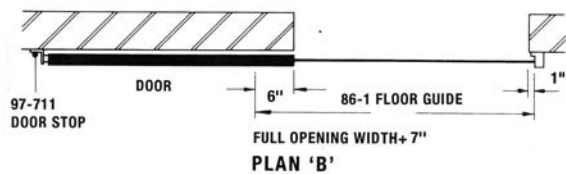
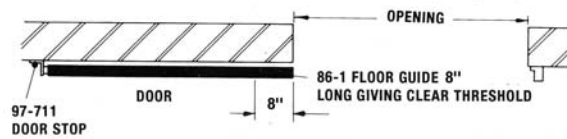
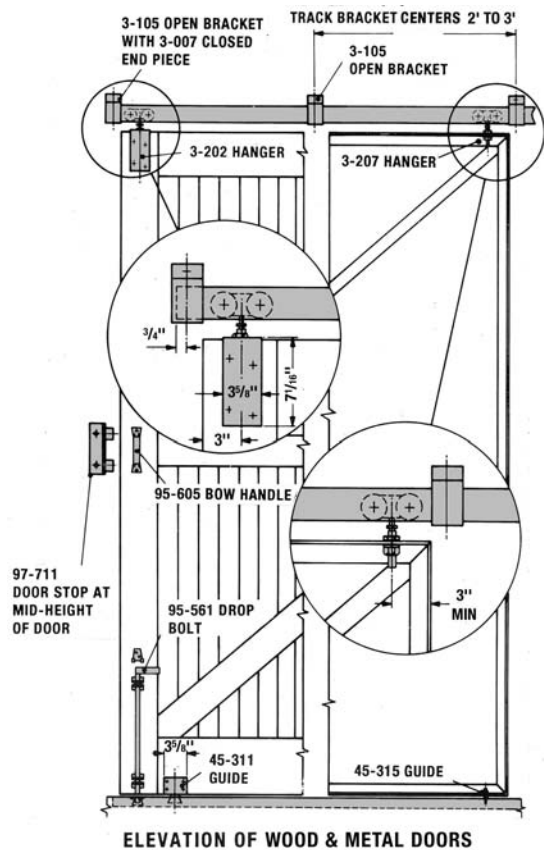
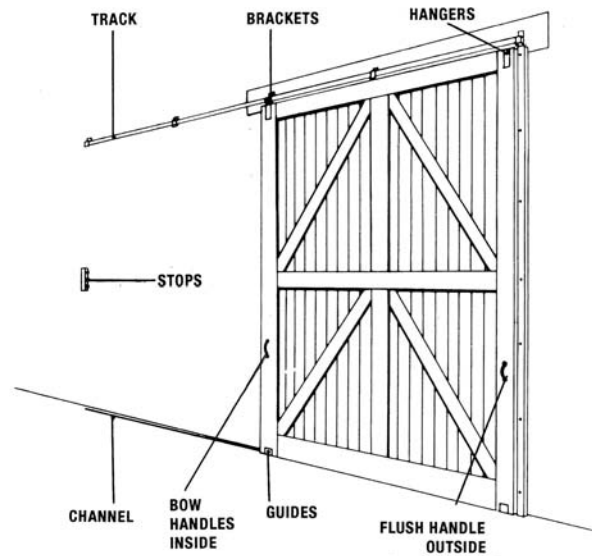
### QUANTITIES FOR A SINGLE WOOD SLIDING DOOR

7' 2" wide x 11' 6" high x 1 3/4" thick, weight 1000 lb

#### A TYPICAL BILL OF QUANTITIES

##### ITEM

A	3-25	Track, 1 x 7' 10", 1 x 6' 10"	14' 8"	
B	3-105	Brackets, open, side mounting	6	NO.
C	3-007	Closed end pieces	2	NO.
D	3-106	Lock joint bracket	1	NO.
E		Bolts for brackets (by others)	7	NO.
F	3-202	Hangers, ball bearing and screws (pair)	1	NO.
G	45-311	Bottom guides and screws	2	NO.
H	45-1	Steel floor channel 1 x 7' 10", 1 x 6' 10"	14' 8"	
J	45-011	Channel connecting shoe	1	NO.
K	95-605	Bow handles and screws	2	NO.
L	95-617	Flush handle and screws	1	NO.
M	95-561	Drop bolt and screws	1	NO.
N	97-711	Door stop	1	NO.
O		Locking arrangements IF EXTERNAL DOOR		
P	3-701	Weatherhood 2 x 7' 10"	15' 8"	
Q	3-703	Weatherhood end caps	2	NO.



3-105 OPEN BRACKET WITH 3-007 CLOSED END PIECE

# Straightaway 325 Sliding Door Gear

## FOR DOORS ON DOUBLE PARALLEL TRACKS

### APPLICATION

Top hung parallel straight sliding doors on multiple runs of track. For factories, garages, warehouses etc.

### RANGE

Track size	3-25
Maximum door weight	800 lb (365kg)
Maximum door height	12ft (3.6m)

Single track capacities, as shown on page 20, apply to doors operating on double or multiple track runs supported by individual soffit mounting brackets. Consider wind pressure in exposed positions, if in doubt consult manufacturer. Wood door thickness 1¾" to 2¼". Metal door thickness 2".

### DOOR CONSTRUCTION

Wood doors usually framed, ledged and braced. Stiles should be a minimum of 5" to accommodate hanger aprons. Metal doors usually angle framed or hollow tubular sections, sheeted one or both sides. Ensure adequate bracing.

### MOUNTING

Track brackets usually side mounting. Floor channel set flush and guides normal. All hangers have vertical adjustment.

### HANGERS

All steel, ball bearing lubricated for life. 3-202 wood doors, vertical and lateral adjustment. 3-207 metal doors, vertical adjustment. 3-210 Metal door hanger designed for use with hollow tubular frame sections up to 3¾" deep.

### TRACK

Galvanized steel to BS EN 10142. 3-25 (12 gage). Lengths 5' 11" to 9' 10". See range for capacities.

### TRACK BRACKETS

Steel and malleable iron. See drawing and full range details pages 3-4.

### DOOR GUIDES

45-311 for 1¾" to 2¼" wood doors. 45-315 for metal doors.

### FLOOR CHANNEL

45-1 Steel, deep section grips concrete along entire length with shoes for joints. Lengths 5' 11" to 9' 10".

### FURNITURE

A range of door furniture and locking arrangements are available.

### DOOR STOPS

Full height jambs preferred.

### FINISHES

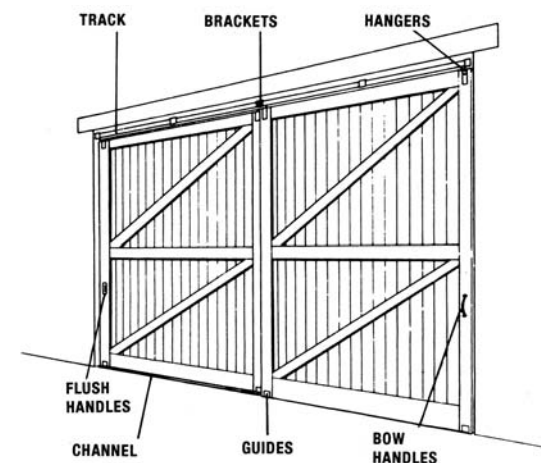
Track galvanized; hanger aprons, brackets and furniture plated.

## EXAMPLE

**QUANTITIES FOR A TWO LEAF WOOD DOOR SLIDING WITHIN OPENING: Opening width 12' x 9' 10" high. Each leaf 1¾" thick, weight 610 lb**

### A TYPICAL BILL OF QUANTITIES

ITEM				
A	3-25	Track, 4 x 5' 11"	23' 8"	
B	3-130	Brackets, open, side mounting	4	NO.
C	3-051	Closed end pieces	4	NO.
D	3-132	Brackets, lock joint, side mounting	1	NO.
E		Bolts for brackets (by others)	5	NO.
F	3-202	Hangers, ball bearing and screws (pr)	2	NO.
G	45-311	Bottom guides and screws	4	NO.
H	45-1	Steel floor channel 4 x 5' 11"	23' 8"	
J	45-011	Channel connecting shoes	2	NO.
K	95-605	Bow handle and screws	2	NO.
L	95-617	Flush handles and screws	2	NO.
M		Locking arrangements		
N		Door Stops		





# Straightaway 430 Sliding Door Gear

## FOR DOORS ON SINGLE AND DOUBLE PARALLEL TRACKS

### APPLICATION

Top hung straight sliding doors for factories, garages, warehouses, farms etc. Single or multiple runs of track.

### RANGE

	Doors on Single Track	Doors on Double Tracks
Maximum weight	2200 lb (1000kg)	1200 lb (550kg)
Maximum height	23ft (7.0m)	14ft (4.2m)

Single track capacities apply to doors operating on double or multiple track runs supported by individual soffit mounting brackets. Consider wind pressure in exposed positions, if in doubt consult manufacturer. Wood door thickness 2¼" to 2⅜". Metal door thickness 2".

### DOOR CONSTRUCTION

Wood doors usually framed, ledged and braced. Stiles should be a minimum of 7" to accommodate hanger aprons. Metal doors usually angle framed or hollow tubular sections, sheeted one or both sides. Ensure adequate bracing.

### HANGERS

All steel, ball bearing lubricated for life. 4-201 wood doors, vertical and lateral adjustment. 4-207 metal doors, vertical adjustment. 4-210 metal door designed for use with hollow tubular framed sections up to 4" deep.

### TRACK

4-30 (11 gage) galvanized steel to BS EN 10142. Lengths 5' 11" to 9' 10".

### TRACK BRACKETS

Steel and malleable iron. See drawing and full range details pages 3-4.

### DOOR GUIDES

45-311 for 2¼" to 2⅜" wood doors. 45-316 for metal doors.

### FLOOR CHANNEL

45-1 Steel, deep section grips concrete along entire length with shoes for joints. Lengths 5' 11" to 9' 10".

### FURNITURE

A range of door furniture and locking arrangements are available.

### DOOR STOPS

Placed at mid-height of doors.

### FINISHES

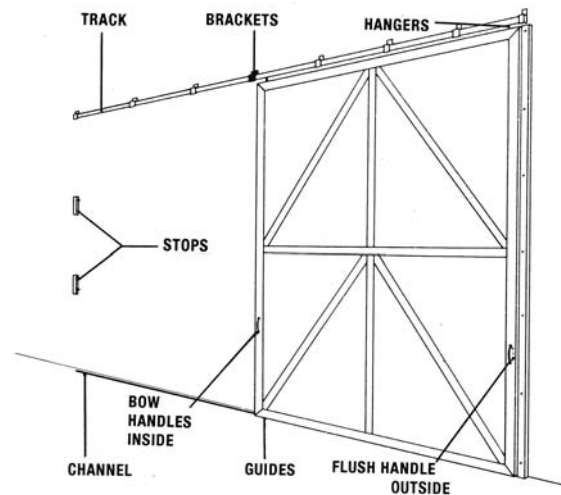
Track galvanized, hangers, brackets and furniture plated.

## EXAMPLE

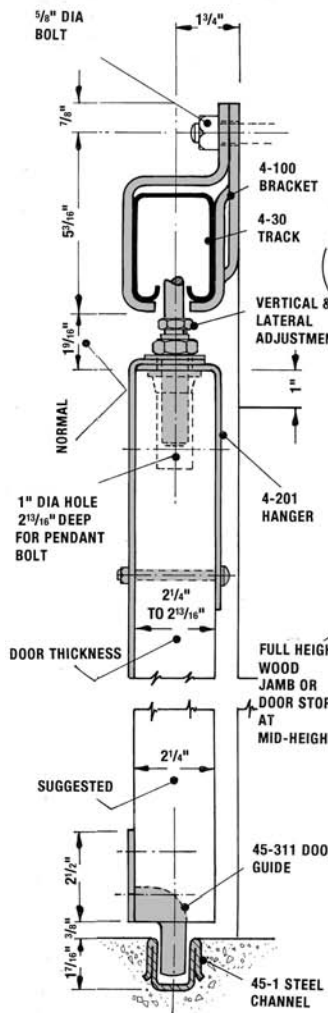
QUANTITIES FOR A SINGLE METAL SLIDING DOOR  
8' 10" wide x 14' 9" high x 2" thick, weight 1400 lbs

### A TYPICAL BILL OF QUANTITIES

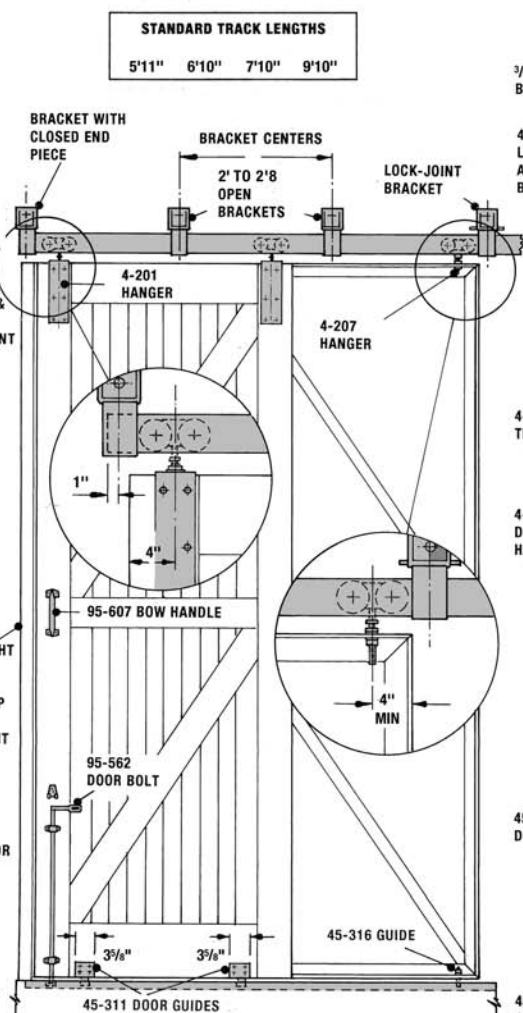
ITEM			
A	4-30	Track, 1 x 9' 10", 1 x 7' 10"	17' 8"
B	4-100	Brackets, open, side mounting	7 NO.
C	4-051	Closed end pieces	2 NO.
D	4-102	Brackets, lock joint, side mounting	1 NO.
E		Bolts for brackets (by others)	8 NO.
F	4-207	Hangers, ball bearing (pair)	1 NO.
G	45-316	Bottom guides - Heavy duty	2 NO.
H	45-1	Steel floor channel 1 x 9' 10", 1 x 7' 10"	17' 8"
J	45-011	Channel connecting shoe	1 NO.
K	95-607	Bow handle and screws	2 NO.
L	95-618	Flush handle and screws	1 NO.
M	97-712	Door stops	2 NO.
N		Locking arrangements	



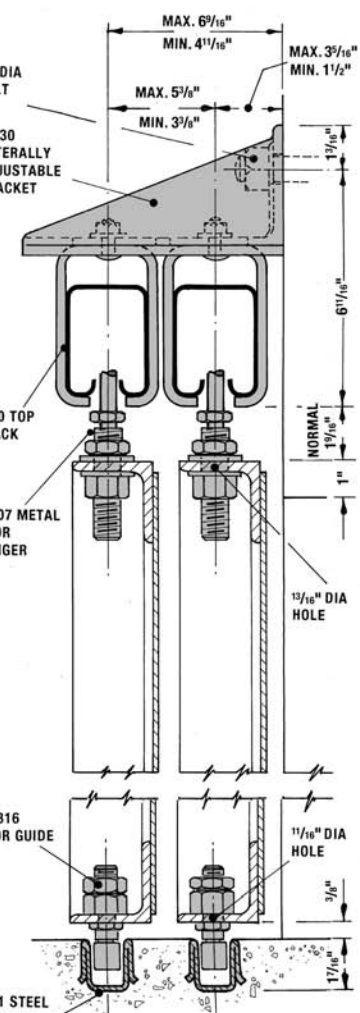




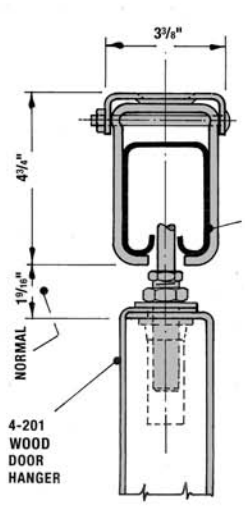
**SECTION THROUGH OPENING WOOD DOOR-SINGLE TRACK**



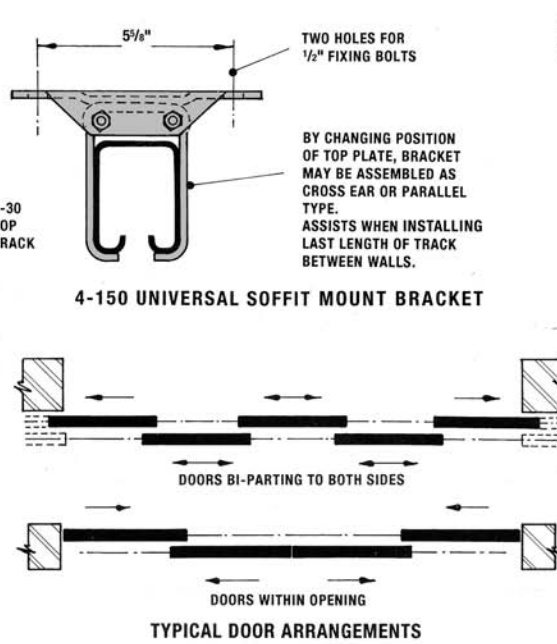
**ELEVATION WOOD & METAL DOORS**



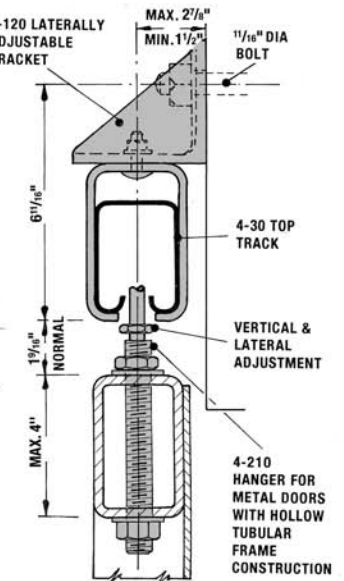
**SECTION THROUGH OPENING METAL DOORS-DOUBLE TRACK**



**ALTERNATIVE HEAD SECTION - SOFFIT MOUNT**



**TYPICAL DOOR ARRANGEMENTS**



**ALTERNATIVE HEAD SECTION WITH METAL DOOR HANGER FOR HOLLOW TUBULAR FRAME CONSTRUCTION**

# Straightaway 438 Sliding Door Gear

## FOR DOORS ON SINGLE TRACKS

### APPLICATION

Top hung heavy straight sliding doors for port installations, factories, garages, warehouses etc. Single runs of track normal, for multiple runs of track consult gear makers.

### RANGE

Maximum door weight 3300 lb (1500kg)  
Maximum door height 26ft (8.0m)

Consider wind pressure in exposed positions, if in doubt consult manufacturer.  
Wood door thickness 2¼" to 2⅜", metal door thickness 3".

### DOOR CONSTRUCTION

Wood doors usually framed, ledged and braced. Top rails should be a minimum of 1' to accommodate hanger aprons. Metal doors usually angle framed sheeted one or both sides. Ensure adequate bracing.

### MOUNTING

Track brackets usually side mounting. Floor channel set flush. All hangers have vertical adjustment. Special consideration must be given to stopping heavy doors.

### HANGERS

All steel, ball bearing lubricated for life. 4-204 wood doors, vertical and lateral adjustment. 4-208 metal doors, vertical adjustment.

### TRACK

4-30 (11 gage) galvanized steel to BS EN 10142. Lengths 5' 11" to 9' 10".

### TRACK BRACKETS

Steel and malleable iron. See drawing and full range details pages 3-4.

### DOOR GUIDES

45-311 for wood doors. 45-316 for metal doors.

### FLOOR CHANNEL

45-1 Steel, deep section grips concrete along entire length with shoes for joints. Lengths 5' 11" to 9' 10".

### FURNITURE

A range of door furniture and locking arrangements are available.

### DOOR STOPS

Heavy duty.

### FINISHES

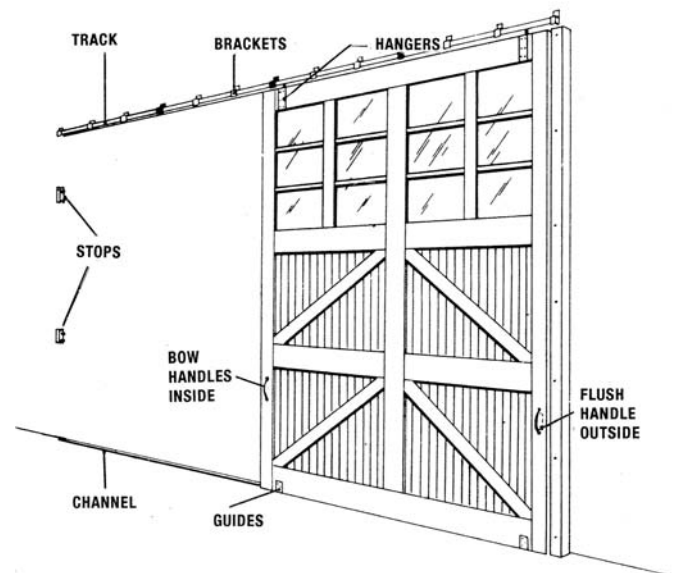
Track galvanized, hangers, brackets and furniture plated.

## EXAMPLE

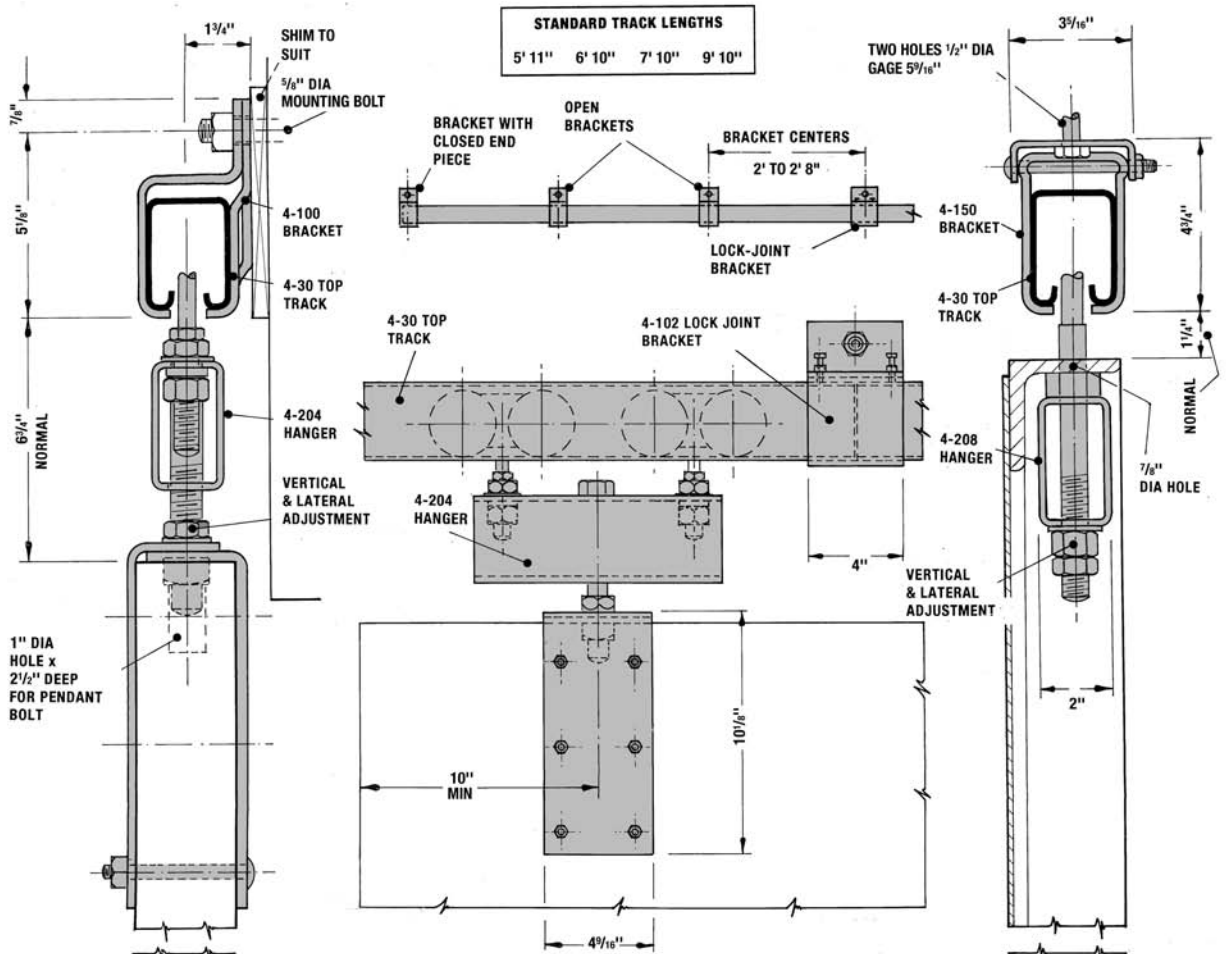
**QUANTITIES FOR A SINGLE WOOD SLIDING DOOR**  
13' 8" wide x 19' 8" high x 2⅜" thick, weight 2200 lbs

### A TYPICAL BILL OF QUANTITIES

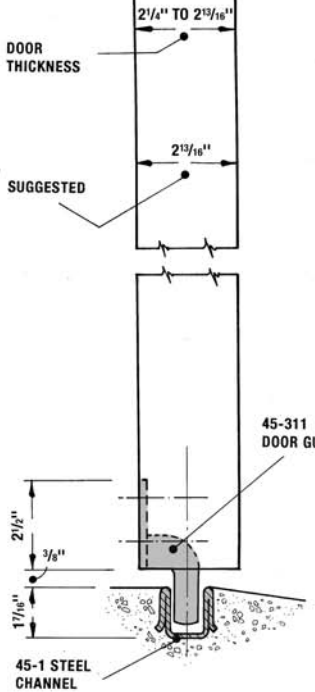
ITEM				
A	4-30	Track, 1 x 7' 10", 2 x 9' 10"	17' 8"	
B	4-100	Brackets, open, side mounting	10	NO.
C	4-051	Closed end pieces	2	NO.
D	4-102	Bracket, lock joint, side mounting	2	NO.
E		Bolts for brackets (by others)	12	NO.
F	4-204	Hangers, ball bearing	2	NO.
G	45-311	Bottom guides and screws	2	NO.
H	45-1	Steel floor channel 2 x 7' 10", 1 x 9' 10"	17' 8"	
J	45-011	Channel connecting shoe	2	NO.
K	95-607	Bow handle and screws	2	NO.
L	95-618	Flush handle and screws	1	NO.
M	97-712	Door stops	2	NO.
N		Locking arrangements		



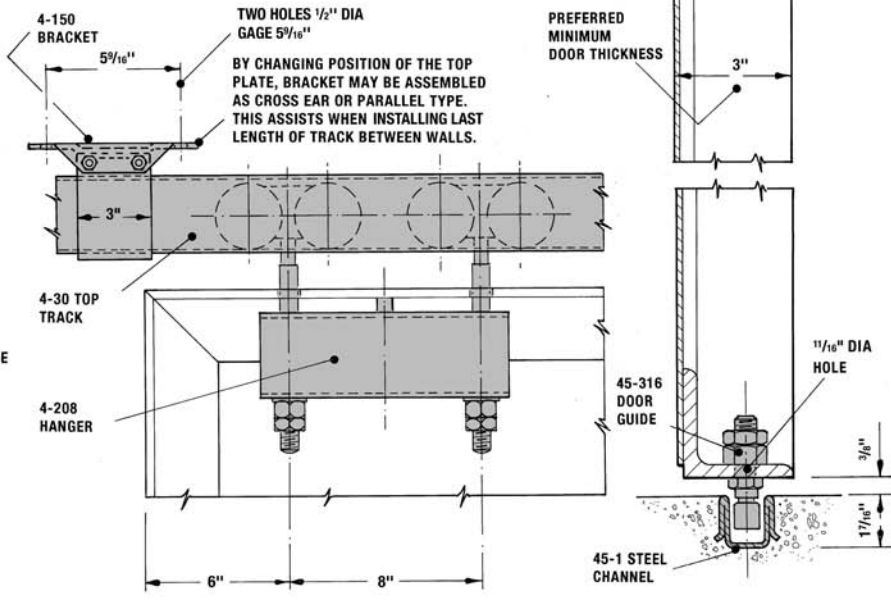




**ELEVATION 4-204 WOOD DOOR HANGER**  
SEE SECTION LEFT



**SECTION THROUGH OPENING WOOD DOOR**



**ELEVATION 4-208 METAL DOOR HANGER**  
SEE SECTION RIGHT

**SECTION THROUGH OPENING METAL DOOR**

# Straightaway 700 & 710 Bottom Rolling Door Gear

## FOR STRAIGHT SLIDING DOORS AND WINDOWS

### APPLICATION

Bottom rolling straight sliding doors wood patio doors and windows. For residences, hotels, hospitals, etc.

### RANGE

Gear Type	700	710
Maximum door weight	250 lb (115kg)	400 lb (180kg)
Maximum door height	8ft (2.4m)	10ft (3.0m)

The area of a single sliding leaf should be related to all other factors.

### DOOR CONSTRUCTION

Door thickness  $1\frac{3}{8}$ " to  $2\frac{3}{8}$ ", width one third height minimum, handle height three fifths from bottom for best results. The sliding panel when fully open should project a minimum of  $2\frac{3}{8}$ " to avoid fingers becoming trapped between handle and mount panel. Bottom rail should be of sufficient depth to house roller casing.

### MOUNTING

Top guide track soffit mounted. Floor tracks may be recessed if required. Mortise for bottom rollers must fit tight around roller casing and weight of sliding door carried on top of casing above wheel.

## BOTTOM ROLLERS

70-402 Bottom roller for 66-1, 66-3 and 70-3 tracks. Die cast casings, nylon wheels with needle bearings. 71-402 Bottom rollers for 70-3 track, die cast casing, steel wheel, ball bearings. Packed in pairs.

## BOTTOM TRACKS

66-1 steel, 66-3 and 70-3 Brass. Drilled and c/sk for woodscrews. Lengths 5' 11" to 9' 10".

## TOP GUIDES

44-362 for 44-2 and 44-3 channel, aluminum rattleproof. 7-362 for 7-20 track, twin wheels, rattleproof.

## TOP TRACK & CHANNEL

44-2 Aluminum or 44-3 Brass. 7-20 Steel track galvanized to BS EN 10142. Drilled and c/sk for woodscrews. Lengths 5' 11" to 9' 10".

## FURNITURE

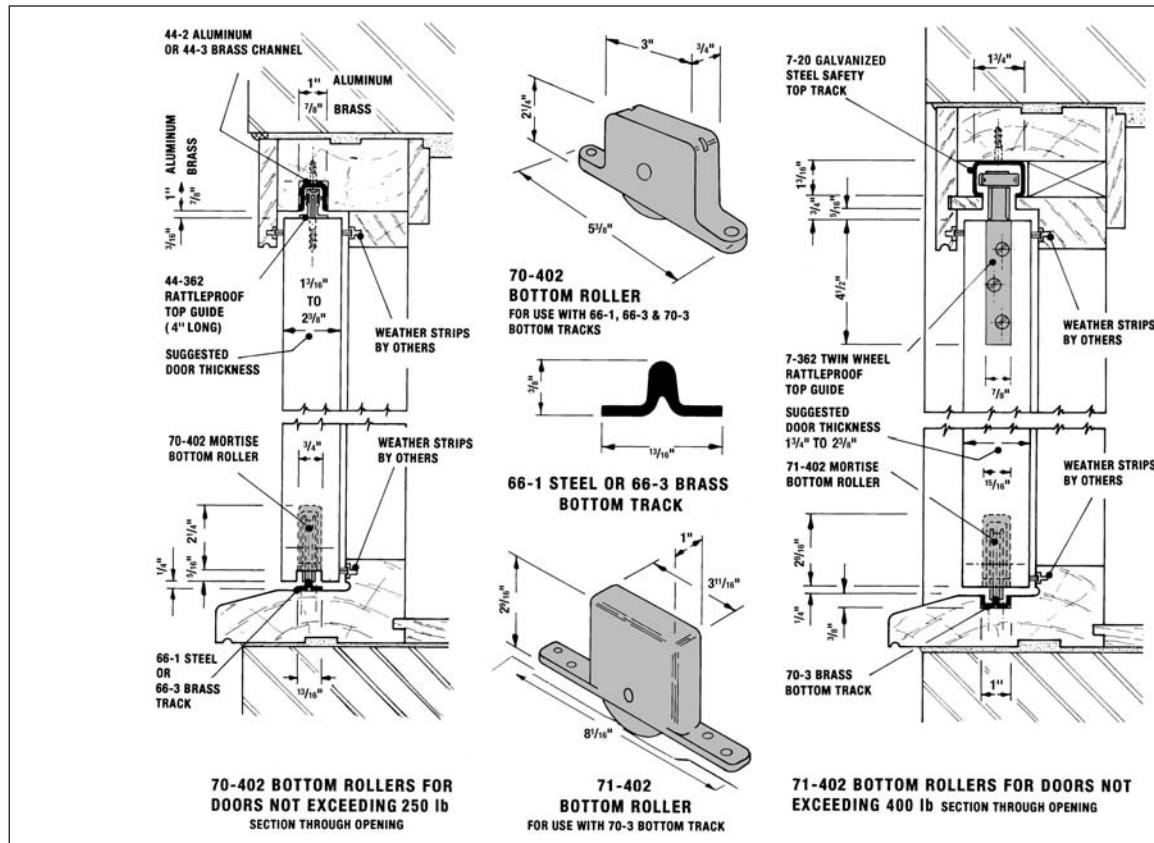
A range of door furniture is available.

## FINISHES

Aluminum and brass tracks self-color

## DRAUGHT EXCLUDER

97-774 Brush welt with aluminum retaining strip.



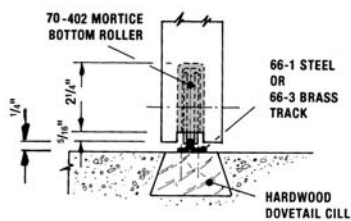
### EXAMPLE (Straightaway 710)

**QUANTITIES FOR A SINGLE WOOD SLIDING DOOR**  
**11' 10" wide x 6' 10" high x 13/4" thick, weight 300 lbs**  
**One leaf sliding on outside of fixed panel.**

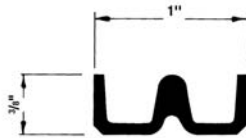
#### A TYPICAL BILL OF QUANTITIES

##### ITEM

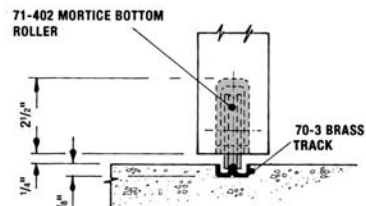
A	7-20	Top guide track with screws 2 x 5' 11"	11' 10"	
B	7-362	Top guides with screws	2	NO.
C	71-402	Bottom rollers with screws (pair)	1	NO.
D	70-3	Bottom track with screws 2 x 5' 11"	11' 10"	
E	97-722	Rubber bumper with screws	2	NO.
F		Weather strips by others		
		3 x 11' 10", 4 x 6' 10"	62' 10"	



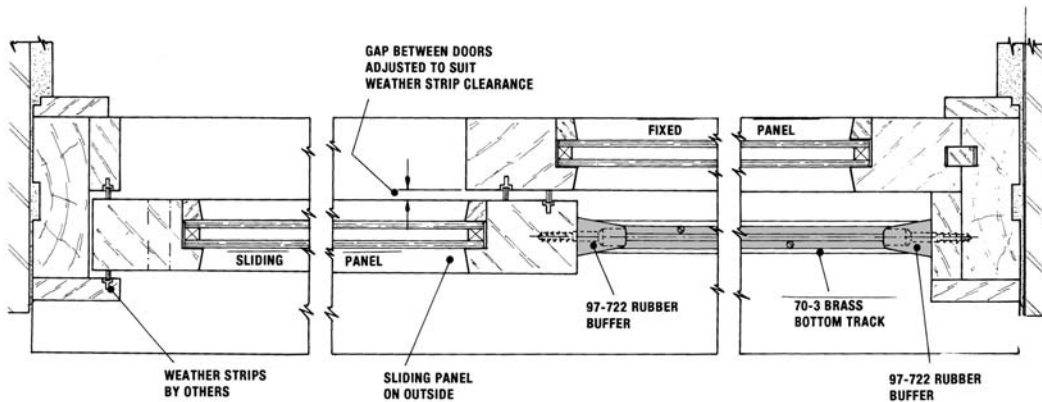
**ALTERNATIVE ARRANGEMENT FOR  
66-1 OR 66-3 BOTTOM TRACK**



**70-3 BRASS BOTTOM TRACK**



**ALTERNATIVE ARRANGEMENT FOR  
70-3 BRASS BOTTOM TRACK**



**SECTIONAL PLAN  
ONE PANEL SLIDING & ONE PANEL MOUNTED**

# Straightaway 720 Bottom Rolling Door Gear

## FOR DOORS ON SINGLE AND DOUBLE PARALLEL TRACKS

### APPLICATION

Bottom rolling straight sliding doors for automobile showrooms and large glass window installations where mortise rollers are needed. Single or multiple runs of tracks.

### RANGE

Maximum door weight 880 lb (400kg)  
Maximum door height 11ft (3.5m)

Consider wind pressure in exposed positions, if in doubt consult manufacturer. Door thickness 1¾" minimum.

### DOOR CONSTRUCTION

Wood doors only with deep bottom rails to accommodate mortise bottom rollers. Mortises should fit closely around roller housing. Door areas and glass sizes should be considered in relation to wind pressure and exposure.

### MOUNTING

Track brackets side or soffit mount. Floor track is set flush. Lateral adjustment with double side mount brackets.

### BOTTOM ROLLERS

72-402 Ball bearing, machined steel wheels, die cast casing. Packed in pairs.

### BOTTOM TRACK

72-3 Brass (Set flush only). Lengths 5' 11" to 9' 10".

### TOP GUIDES

8-362 Rattleproof, twin neoprene wheels.

### TOP TRACK

8-25 Safety pattern, galvanized steel to BS EN 10142. Lengths 5' 11" to 9' 10".

### TOP TRACK BRACKETS

Malleable iron and steel. See drawing and full range details on pages 3-4.

### FURNITURE

A range of door furniture and locking arrangements is available.

### DOOR STOPS

Must be positioned so that fingers cannot be trapped between doors on double runs.

### FINISHES

Top track galvanized; bottom rollers and brackets plated.

### DRAUGHT EXCLUDER

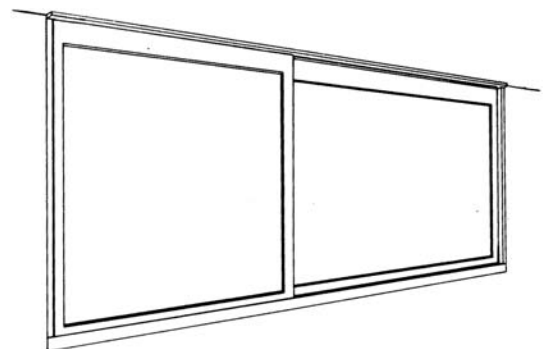
97-774 Brush Welt with aluminium retaining strip available in 8' lengths.

## EXAMPLE

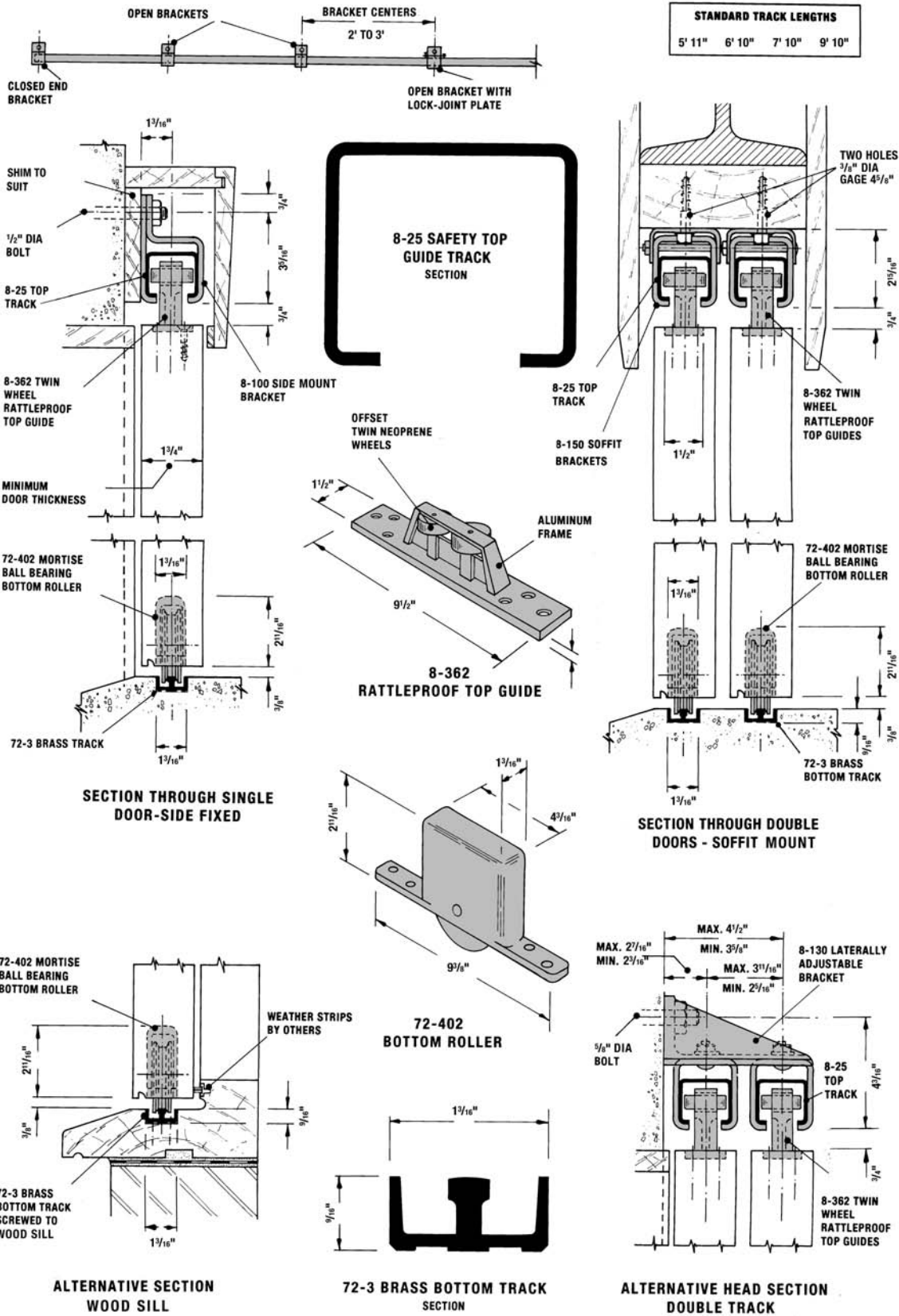
**QUANTITIES FOR A TWO LEAF FRAMED DOOR SLIDING WITHIN THE OPENING. Opening 19' 6" wide x 7' 10" high. 2 doors on double track.**

### A TYPICAL BILL OF QUANTITIES FOR A SHOWROOM

ITEM			
A	8-25	Track 4 x 9' 10"	39' 4"
B	8-150	Brackets, open, soffit mount	16 NO.
C	8-051	Closed end piece	4 NO.
D	8-152	Brackets, lock joint, soffit mount	2 NO.
E		Bolts for brackets (by others)	36 NO.
F	8-362	Twin wheel top guides and screws	4 NO.
G	72-402	Bottom rollers and screws (pair)	2 NO.
H	72-3	Brass bottom track 4 x 9' 10"	39' 4"
J	95-617	Flush handles and screws	6 NO.
K		Door stops	
L		Locking arrangements	









# Straightaway 865 Bottom Rolling Door Gear

## FOR DOORS ON SINGLE AND DOUBLE PARALLEL TRACKS

### APPLICATION

Bottom rolling straight sliding doors for factories, warehouses, garages etc. Single or multiple runs of tracks.

### RANGE

Maximum door weight 550 lb (250kg)  
Maximum door height 11ft (3.5m)

Consider wind pressure in exposed positions, if in doubt consult manufacturer. Wood door thickness 1 3/4" only. Metal door thickness 2".

### DOOR CONSTRUCTION

Wood doors with deep bottom rails to accommodate bottom rollers. Fix rollers clear of stiles. Metal doors angle framed, sheeted inside or out.

Ensure adequate bracing. Weatherhoods are recommended on external doors.

### MOUNTING

Track brackets usually side mounted. Floor track set flush or raised. Lateral adjustment with double side mounted brackets.

### BOTTOM ROLLERS, WOOD DOORS

Roller bearings, machined cast grey iron wheels. 86-431.

### BOTTOM ROLLERS, METAL DOORS

Roller bearing, machined cast grey iron wheels, undrilled steel frame 86-430.

### BOTTOM TRACK

86-1 Steel. Lengths 5' 11" to 9' 10".

### TOP GUIDES

8-315 for metal doors, 8-344 for wood doors.

### TOP TRACK

8-25 Safety pattern, galvanized steel to BS EN 10142. Lengths 5' 11" to 9' 10".

### TOP TRACK BRACKETS

Malleable iron and steel. See drawing and full range details on pages 3-4.

### WEATHERHOODS

3-701 Galvanized steel to BS EN 10142. Length 7' 10".  
3-703 end caps.

### FURNITURE

A range of door furniture and locking arrangements is available.

### DOOR STOPS

97-711 side mounted at mid-height of door.

### FINISHES

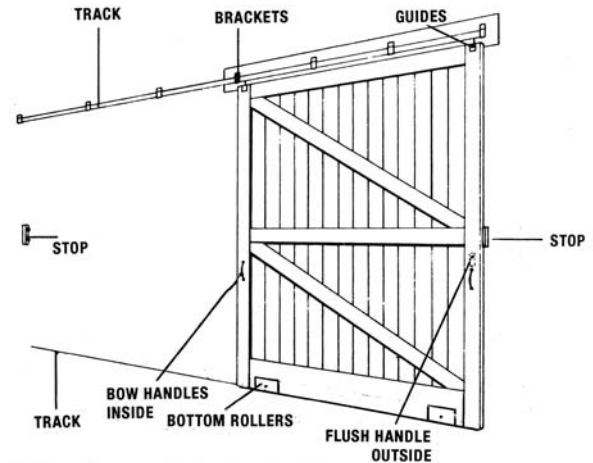
Top track galvanized; rollers, guides, brackets and furniture plated.

## EXAMPLE

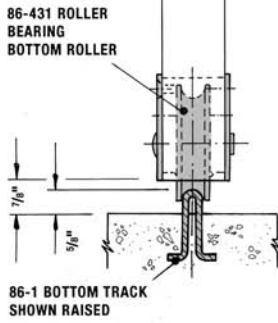
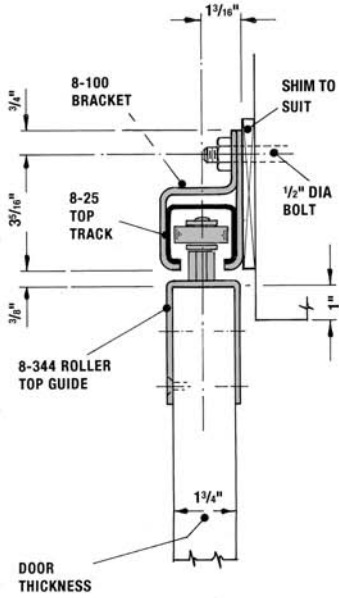
QUANTITIES FOR A SINGLE WOOD SLIDING DOOR  
7' 2" wide x 8' 10" high x 1 3/4" thick, weight 420 lbs.

### A TYPICAL BILL OF QUANTITIES

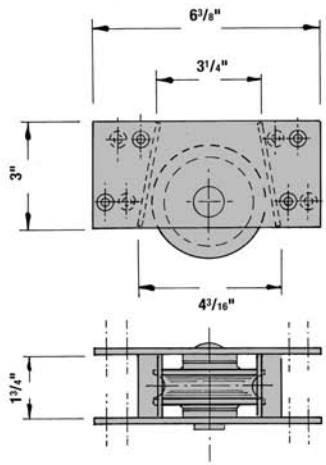
ITEM			
A	8-25	Track, 1 x 7' 10", 1 x 6' 10"	14' 8"
B	8-100	Brackets, open, side mounted	7 NO.
C	8-051	closed end pieces	2 NO.
D	8-002	Lock joint plate	1 NO.
E		Bolts for brackets (by others)	7 NO.
F	8-344	Top guides and screws	2 NO.
G	86-431	Bottom rollers and screws	2 NO.
H	86-1	Bottom track 1 x 7' 10", 1 x 6' 10"	14' 8"
J	86-014	Connecting shoe	1 NO.
K	95-605	Bow handle and screws	2 NO.
L	95-617	Flush handle and screws	1 NO.
M	97-711	Door stops	2 NO.
N		Locking arrangements IF EXTERNAL DOOR	
O	3-701	Weatherhood 2 x 7' 10"	15' 8"



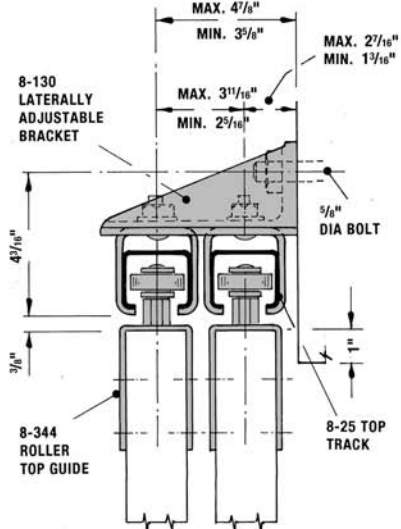
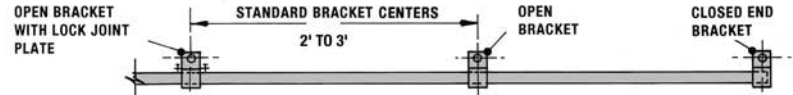
STANDARD TRACK LENGTHS			
5' 11"	6' 10"	7' 10"	9' 10"



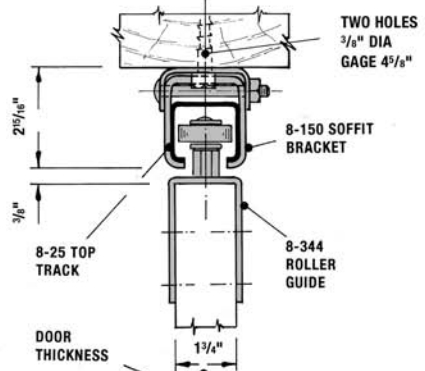
SECTION THROUGH WOOD DOOR



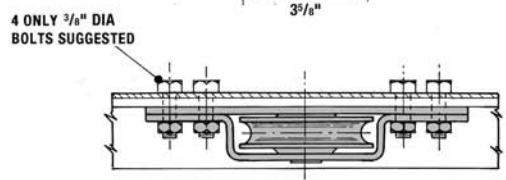
86-431 BOTTOM ROLLER FOR WOOD DOORS



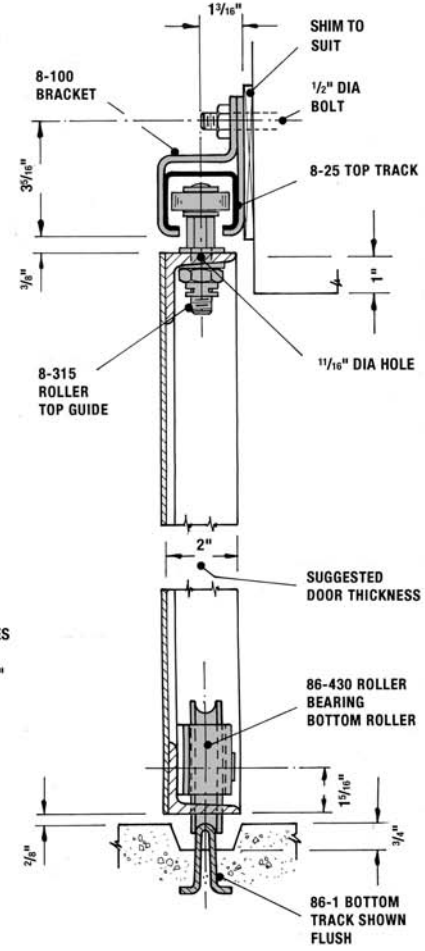
ALTERNATIVE HEAD SECTION DOUBLE PARALLEL TRACKS



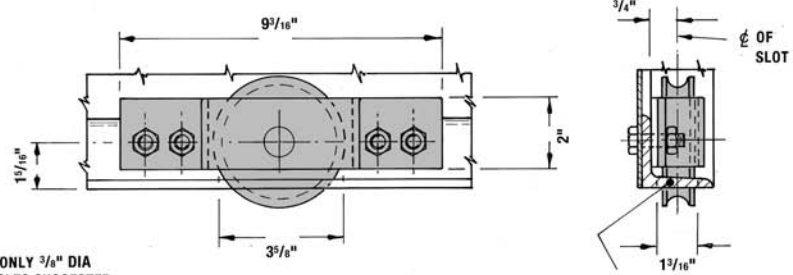
ALTERNATIVE HEAD SECTION SOFFIT MOUNT



86-430 BOTTOM ROLLER FOR METAL DOORS SUPPLIED UNDRILLED



SECTION THROUGH METAL DOOR



ANGLE SLOTTED FOR WHEEL 3 5/8" LONG x 1 3/16" WIDE

# Straightaway 880 Bottom Rolling Door Gear

## FOR DOORS ON SINGLE AND DOUBLE PARALLEL TRACKS

### APPLICATION

Bottom rolling straight sliding doors for factories, warehouses, garages etc. Single or multiple runs of tracks.

### RANGE

Maximum door weight 1100 lb (500kg)  
Maximum door height 13ft (4m)

Consider wind pressure in exposed positions, if in doubt consult manufacturer. Wood door thickness 2¼" only. Metal door thickness 2" or 2⅝".

### DOOR CONSTRUCTION

Wood doors with deep bottom rails to accommodate bottom rollers. Mount rollers clear of stiles. Metal doors angle framed, sheeted inside or out. Ensure adequate bracing. Weatherhoods are recommended on external doors.

### MOUNTING

Track brackets usually side mount. Floor track set flush or raised. Lateral adjustment with double side mount brackets.

### BOTTOM ROLLERS, WOOD DOORS

Roller bearings, machined meehanite cast wheels. 89-442 for 2¼" doors.

### BOTTOM ROLLERS, METAL DOORS

89-440 Roller bearing, machined meehanite cast wheels, undrilled steel frame.

### BOTTOM TRACK

89-1 Steel. Lengths 5' 11" to 9' 10".

### TOP GUIDES

8-315 for metal doors, 8-357 for wood doors.

### TOP TRACK

8-25 Safety pattern, galvanized steel to BS EN 10142. Lengths 5' 11" to 9' 10".

### TOP TRACK BRACKETS

Malleable iron and steel. See drawing and full range details on pages 3-4.

### WEATHERHOODS

3-701 Single track. Galvanized steel to BS EN 10142. Length 7' 10". 3-703 end caps.

### FURNITURE

A range of door furniture and locking arrangements is available.

### DOOR STOPS

97-711 side mount at mid-height of door.

### FINISHES

Top track galvanized; rollers, guides, brackets and furniture plated.

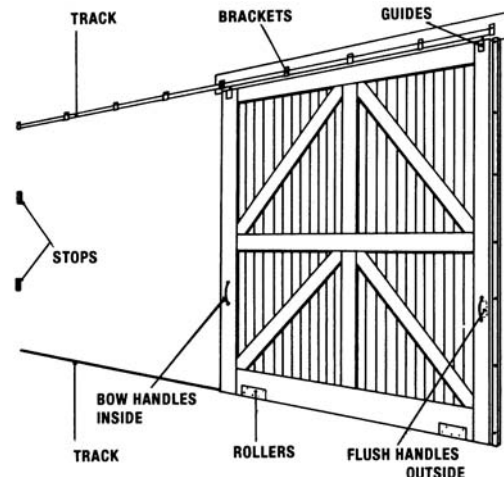
## EXAMPLE

### QUANTITIES FOR A WOOD DOOR

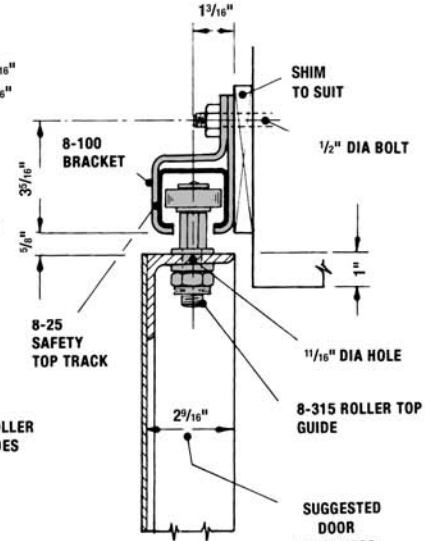
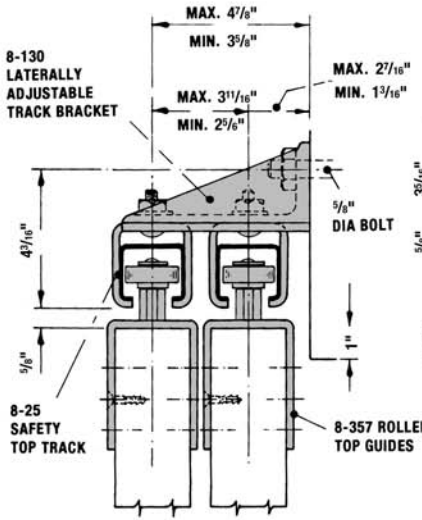
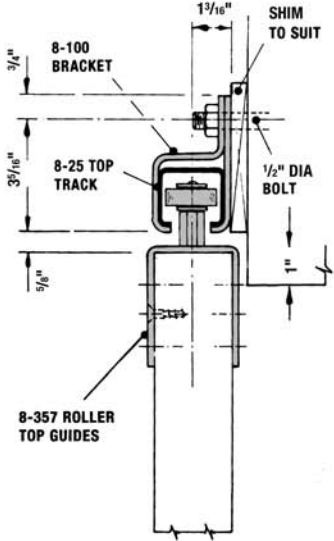
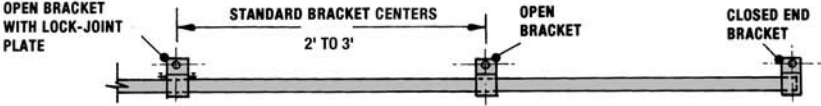
9' 10" wide x 12' 9" high x 2¼" thick, weight 830 lbs.

#### A TYPICAL BILL OF QUANTITIES

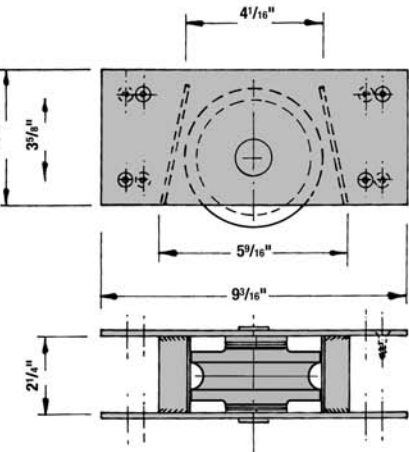
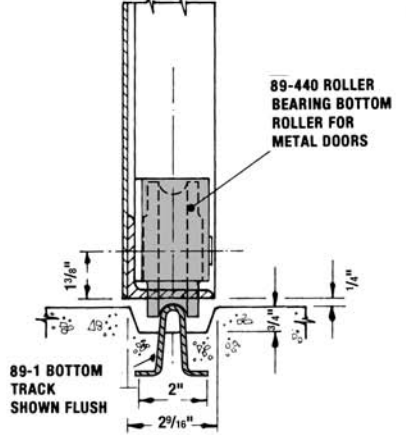
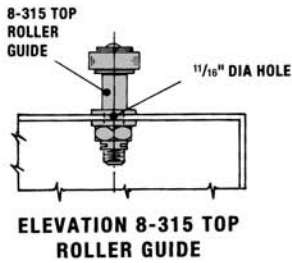
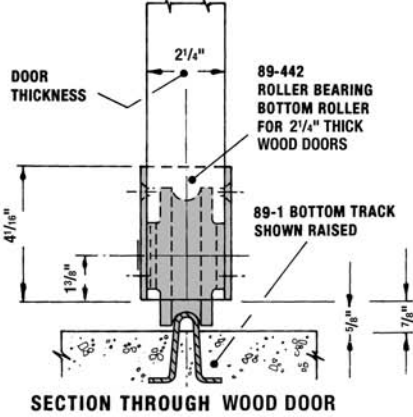
ITEM				
A	8-25	Track, 2 x 9' 10"	19' 8"	
B	8-100	Brackets, open, side mount	9	NO.
C	8-051	Closed end pieces.	2	NO.
D	8-002	Lock-joint plate	1	NO.
E		Bolts for brackets (by others)	9	NO.
F	8-357	Top guides and screws	2	NO.
G	89-442	Bottom rollers and screws	2	NO.
H	89-1	Steel bottom track 2 x 9' 10"	19' 8"	
J	89-014	Connecting Shoe	1	NO.
K	95-607	Bow handle and screws	2	NO.
L	95-618	Flush handle and screws	1	NO.
M	97-712	Door stops	2	NO.
		Locking arrangements		
		IF EXTERNAL DOOR		
N	3-701	Weatherhood 3 x 7' 10"	23' 6"	



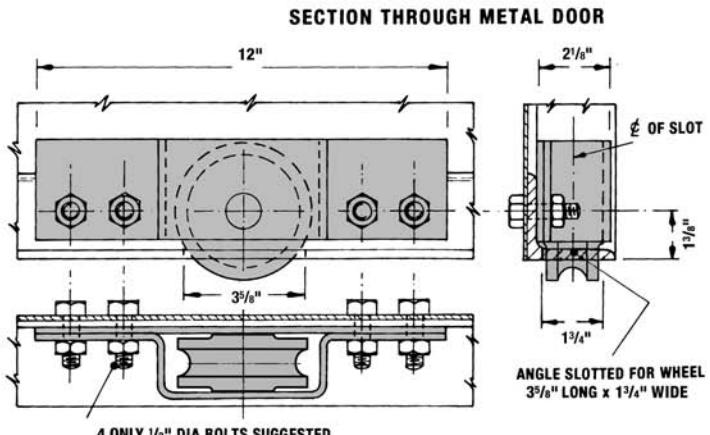
STANDARD TRACK LENGTHS			
5' 11"	6' 10"	7' 10"	9' 10"



**ALTERNATIVE HEAD SECTION DOUBLE PARALLEL TRACKS**



**89-442 BOTTOM ROLLER FOR 2 1/4" THICK TIMBER DOORS**



**89-440 BOTTOM ROLLER FOR METAL DOORS SUPPLIED UNDRILLED**  
4 ONLY 1/2" DIA BOLTS SUGGESTED



# Straightaway 884 Bottom Rolling Door Gear

## FOR DOORS ON SINGLE AND DOUBLE PARALLEL TRACKS

### APPLICATION

Bottom rolling straight sliding doors for industrial, garage, warehouse or port installations etc. Single or multiple runs of track.

### RANGE

Maximum door weight 2200 lb (1000kg)  
Maximum door height 16ft (5m)

Consider wind pressure in exposed positions, if in doubt consult manufacturer.

Wood door thickness 2¼" only. Metal door thickness 2⅝" minimum.

### DOOR CONSTRUCTION

Wood doors with deep bottom rails to accommodate bottom rollers. Mount rollers clear of stiles. Metal doors angle framed, sheeted inside or out. Ensure adequate bracing. Weatherhoods are recommended on external doors.

### MOUNTING

Track brackets usually side mount. Floor track set flush or raised. Lateral adjustment with double side mount brackets. Special consideration must be given to stopping of heavy doors.

### BOTTOM ROLLERS, WOOD DOORS

Ball bearing, machined grey cast iron wheels. 89-462 for 2¼" doors.

### BOTTOM ROLLERS, METAL DOORS

89-460 Ball bearing, machined grey cast iron wheels, undrilled steel frame .

### BOTTOM TRACK

89-1 Steel. Lengths 5' 11" to 9' 10".

### TOP GUIDES

10-352 for wood doors, 10-315 for metal doors.

### TOP TRACK 10-30

Safety pattern, galvanized steel to BS EN 10142. Lengths 5' 11" to 9' 10".

### TOP TRACK BRACKETS

Malleable iron and steel. See drawing and full range details on pages 3-4.

### FURNITURE

A range of door furniture and locking arrangements is available.

### DOOR STOPS

Heavy duty.

### FINISHES

Top track galvanized; rollers, guides and furniture plated.

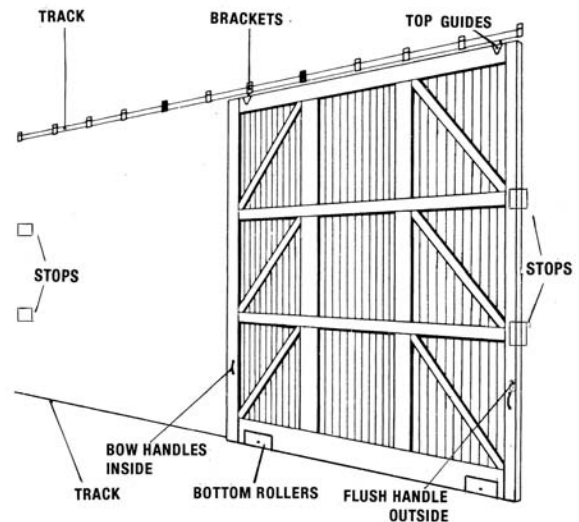
## EXAMPLE

### QUANTITIES FOR A WOOD SLIDING DOOR

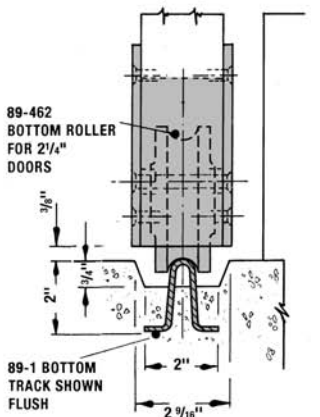
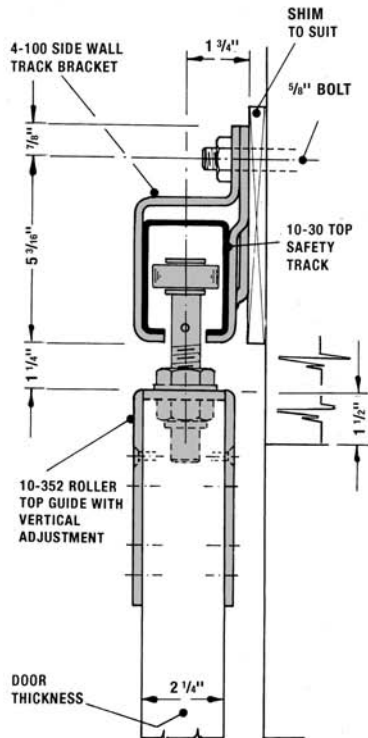
12' 9" wide x 14' 8" high x 2¼" thick, weight 1700 lbs.

#### A TYPICAL BILL OF QUANTITIES

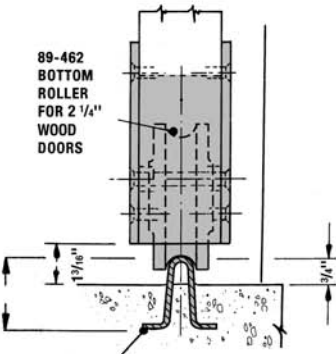
ITEM				
A	10-30	Track, 2 x 9' 10", 1 x 5' 11"	25' 7"	
B	4-100	Brackets, open, side mount	10	NO.
C	4-051	Closed end pieces	2	NO.
D	4-102	Brackets, lock-joint, side mount	2	NO.
E		Bolts for brackets (by others)	12	NO.
F	10-352	Top roller guides and bolts	2	NO.
G	89-462	Bottom rollers and screws	2	NO.
H	89-1	Steel bottom track 3 x 9' 10"	29' 6"	
J	89-014	Connecting shoe	2	NO.
K	95-607	Bow handles and screws	2	NO.
L	95-618	Flush handles and screws	1	NO.
M	97-712	Door stop	4	NO.
N		Locking arrangements		



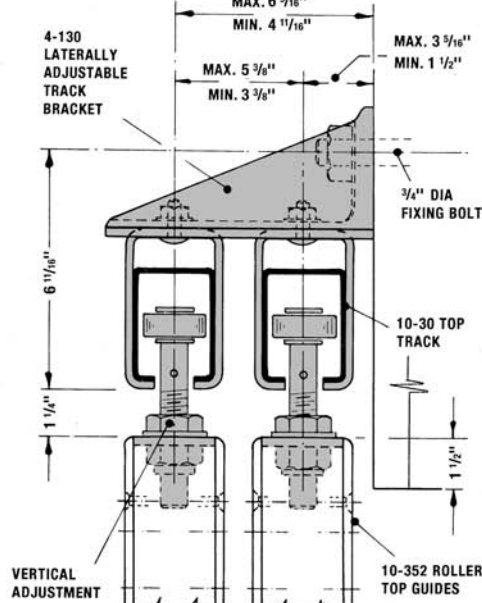
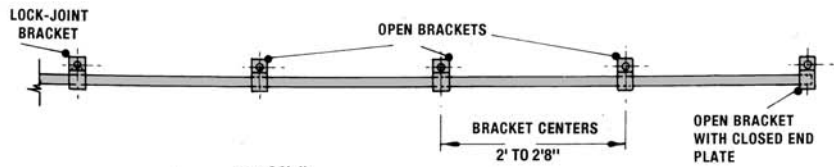
STANDARD TRACK LENGTHS			
5'11"	6'10"	7'10"	9'10"



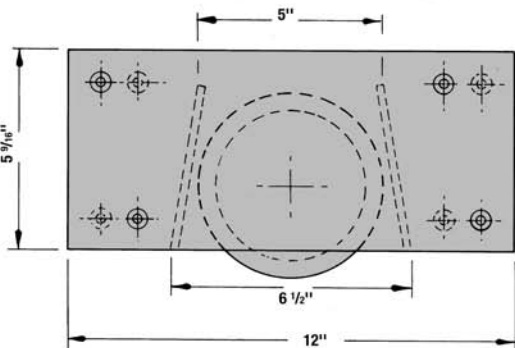
SECTION THROUGH WOOD DOOR



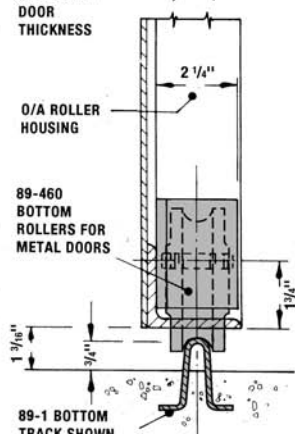
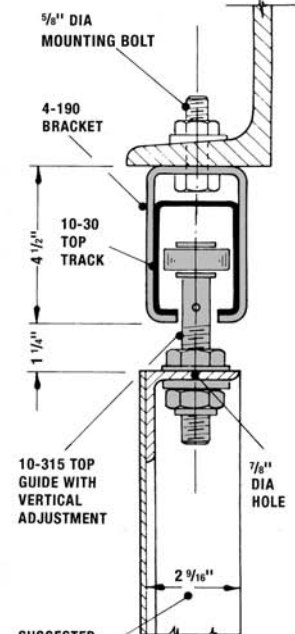
BOTTOM TRACK SHOWN RAISED



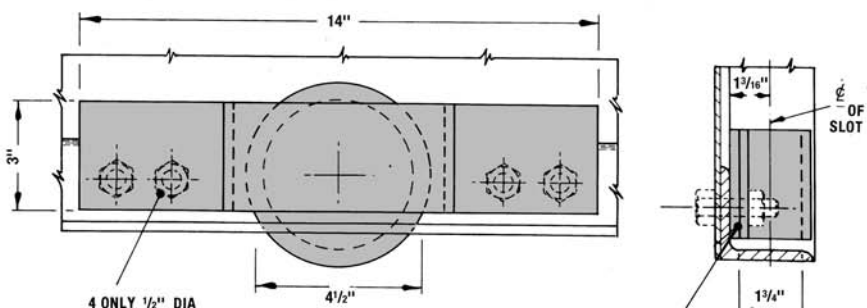
ALTERNATIVE HEAD SECTION DOUBLE PARALLEL TRACKS



89-462 BOTTOM ROLLER FOR WOOD DOORS



SECTION THROUGH METAL DOOR



89-460 BOTTOM ROLLER FOR METAL DOORS SUPPLIED UNDRILLED

# Straightaway 900 Bottom Rolling Door Gear

## FOR DOORS ON SINGLE AND DOUBLE PARALLEL TRACKS

### APPLICATION

Heavy bottom rolling straight sliding doors for port installations, small aircraft hangers, warehouses, factories, etc. Single or multiple runs of track.

### RANGE

Maximum door weight 4400 lb (2000kg)  
Maximum door height 20ft (6m)

Consider wind pressure in exposed positions, if in doubt consult manufacturer. Metal door thickness 3" to 6".

### DOOR CONSTRUCTION

Metal doors only, 3" to 6" thick channel framed and suitably braced against bowing. Bottom roller side-plates form corner gussets. Weather-hoods are recommended on external doors.

### MOUNTING

Track brackets side or soffit mount. Floor track set flush or raised. Vertical adjustment with top guides. Lateral adjustment with double side mount brackets. Special consideration must be given to stopping heavy doors.

### BOTTOM ROLLERS

90-480 Ball bearing, machined steel wheels, 8" dia.

### BOTTOM TRACK

Refer to Hillaldam Coburn for details.

### TOP GUIDES

10-315 Bronze brush steel wheels, vertical adjustment.

### TOP TRACK

10-30 Safety pattern, galvanized steel to BS EN 10142. Lengths 5' 11" to 9' 10".

### TOP TRACK BRACKETS

Malleable iron and steel. See drawing and full range details on pages 3-4.

### FURNITURE

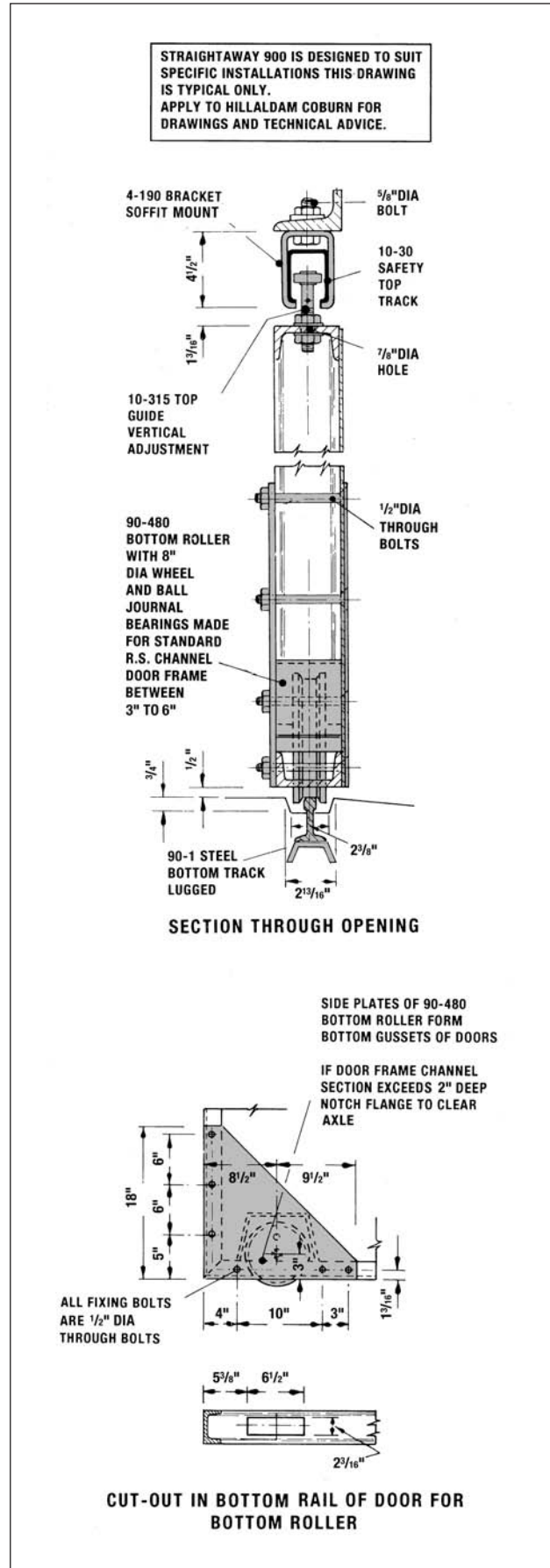
A range of door furniture and locking arrangements is available.

### DOOR STOPS

Heavy duty.

### FINISHES

Top track galvanized; rollers, guides, brackets and furniture plated; refer to Hillaldam Coburn for bottom track specification.



# Straightaway 910 Bottom Rolling Door Gear

## FOR DOORS ON SINGLE OR MULTIPLE TRACK RUNS

### APPLICATION

Bottom rolling straight sliding doors for very large and heavy doors to suit aircraft hangers, boat yards, hovercraft sheds etc. Designed to suit individual applications. Single or multiple runs of track.

### RANGE

Maximum door weight 8800 lb (4000kg)  
Maximum door height 32ft (10m)

Consider wind pressure in exposed positions, if in doubt consult manufacturer. Metal door thickness  $9\frac{3}{8}$ " minimum.

### DOOR CONSTRUCTION

Metal doors only, minimum thickness  $9\frac{3}{8}$ " framed with rolled steel channels, bottom member toes downwards as shown on drawing. Door suitably braced and strengthened to prevent bowing.

### MOUNTING

Top track, usually by Structural Engineers integral with structure, made from rolled steel sections with adequate depth to allow for deflection. Floor track set flush or raised. Vertical adjustment in top guides. Special consideration must be given to stopping heavy doors.

### BOTTOM ROLLERS

Ball bearing, steel machined wheels, 10" diameter tread. 91-490 plain idler roller. 91-495 driven roller with adjustable chain drive.

### BOTTOM TRACK

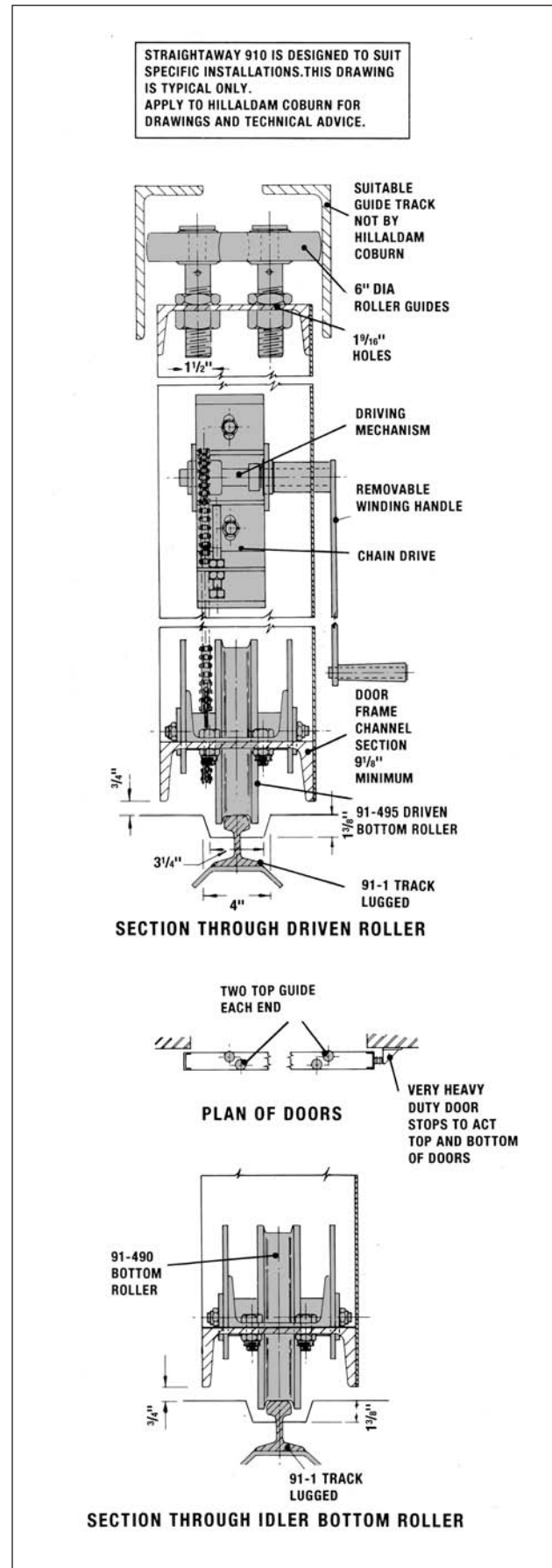
Refer to Hillaldam Coburn for details.

### TOP GUIDES

Special 3" or 4" dia. steel wheels, ball bearing, vertical adjustment.

### FINISHES

Bottom rollers, top guides etc. painted or plated.



SCALE: 1/10 FULL SIZE



Hillaldam Coburn has a history of commitment to quality and technical developments. Products are always produced to the appropriate British Standards and the company was one of the first in the industry to have operating procedures approved under BS EN ISO 9001:1994.

Constant testing ensures that quality is maintained and a program of product improvement is regularly reviewed and updated. The company is represented on the Management Committee of the Association of Builders' Hardware Manufacturers. Today Hillaldam Coburn is proud to remain in the forefront of the industry as we take a leading role in working with the British Standards Institute to develop the new European standards (CEN).



**Exclusively Distributed in the U.S. By:**

Leatherneck Hardware, Inc.  
P.O.Box 1142  
Danville, IL 61834-1142  
USA

**Toll Free:** 888-442-4572

**Local:** 217-442-4572

**Fax:** 217-442-3613

**E-mail:** [info@doorhdwe.com](mailto:info@doorhdwe.com)

**Web:** [www.doorhdwe.com](http://www.doorhdwe.com)

**HILLALDAM COBURN LIMITED**

**HEAD OFFICE**

Unit 6, Wyvern Estate,  
Beverley Way, New Malden,  
Surrey, KT3 4PH, England.

**Telephone:** 020 8336 1515

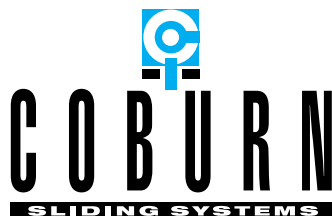
**International:** +44 20 8336 1515

**Facsimile:** 020 8336 1414

**Sales Freefax:** 0800 616623

**e-mail:** [sales@hillaldam.co.uk](mailto:sales@hillaldam.co.uk)

**Web:** [www.coburn.co.uk](http://www.coburn.co.uk)



*The company reserves the right from time to time to make such alterations in design and manufacture as they consider necessary without notice. Drawings, specifications, illustrations, tables and other details are not binding in detail. Conditions of sale are as those published on the Company's tender forms.*