

ENERGY LAB

Hawai'i
Preparatory
Academy

Kamuela, Hawaii

FLANSBURGH ARCHITECTS

77 North Washington Street
Boston, Massachusetts 02114
617.367.3970 tel
617.720.7873 fax
www.flaarchitects.com

Architecture
Master Planning
Space Planning
Interior Design

PROJECT MANAGEMENT

Pa'ahana Enterprises, LLC
P.O.Box 109
Kealahou, HI 9675
808.323.2304 tel/fax

SUSTAINABILITY

Buro Happold Consulting Engineers PC
100 Broadway, 23rd Floor
New York, NY, 10005
212 334 2025 tel

CIVIL ENGINEERING

Belt Collins Hawaii Ltd.
2153 North King Street, Suite 200
Honolulu, Hawaii 96819
808.521.5361 tel
808.538.7819 fax

STRUCTURAL ENGINEERING

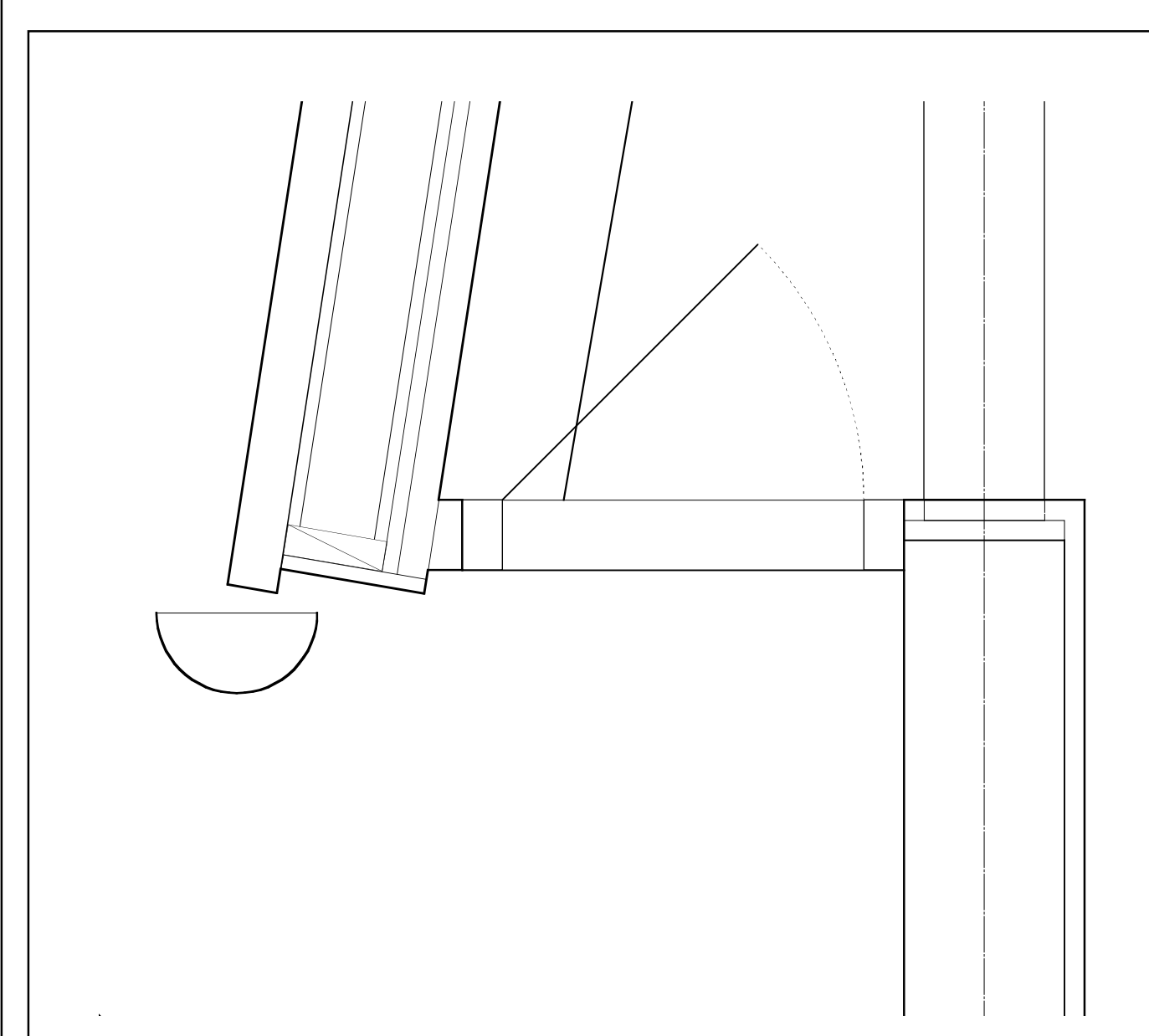
Walter Vorfeld & Associates
10 Uluia Street
Makawao, Maui, HI 96768
808.572.3535 tel
808.573.3616 fax

MECHANICAL ENGINEERING

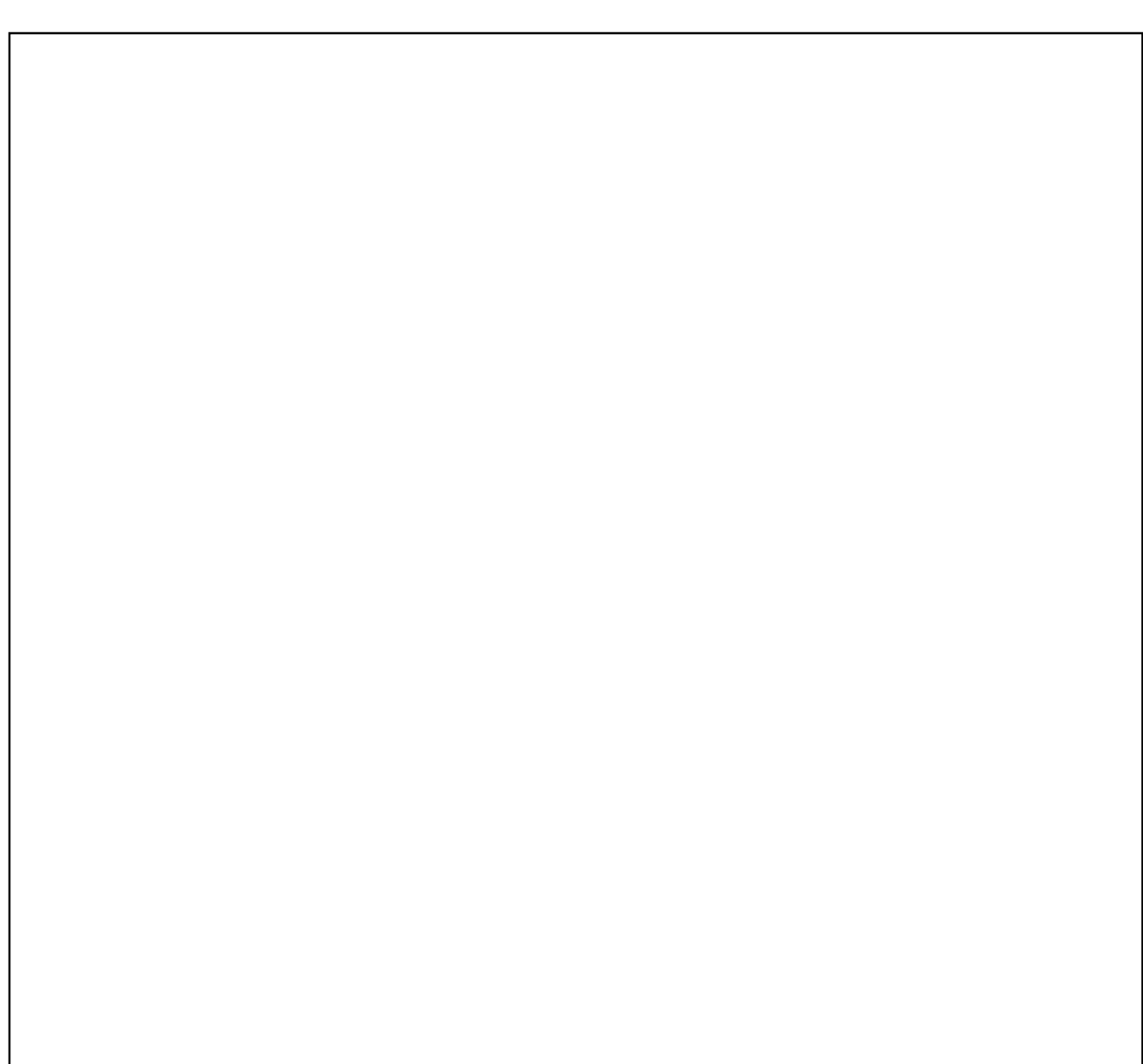
Hakalau Engineering
PO Box 252
Hakalau, Hawaii 96710
808.961.6206 tel

ELECTRICAL ENGINEERING

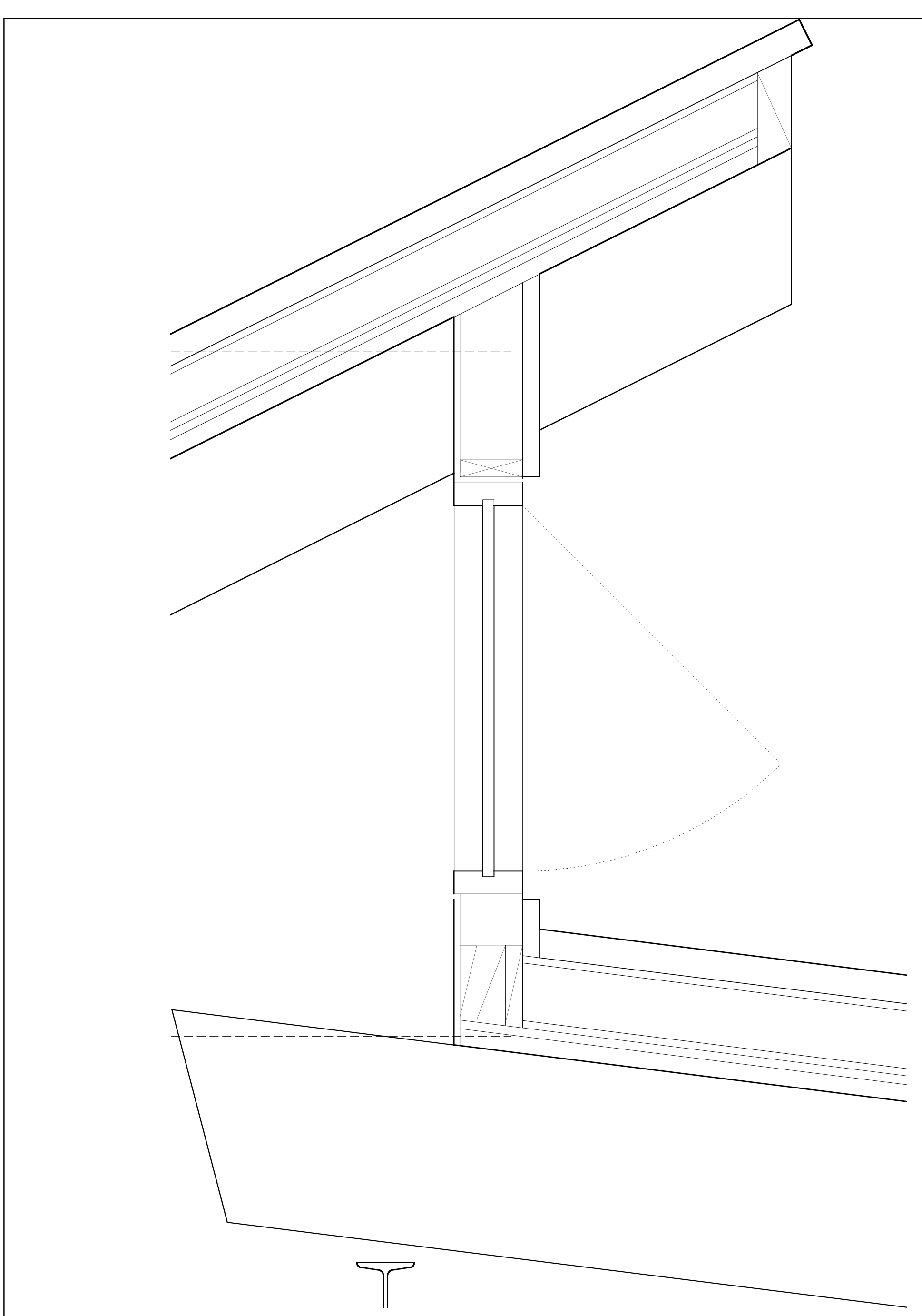
Wallace T. Oki, PE, Inc.
808.961.9666 x22



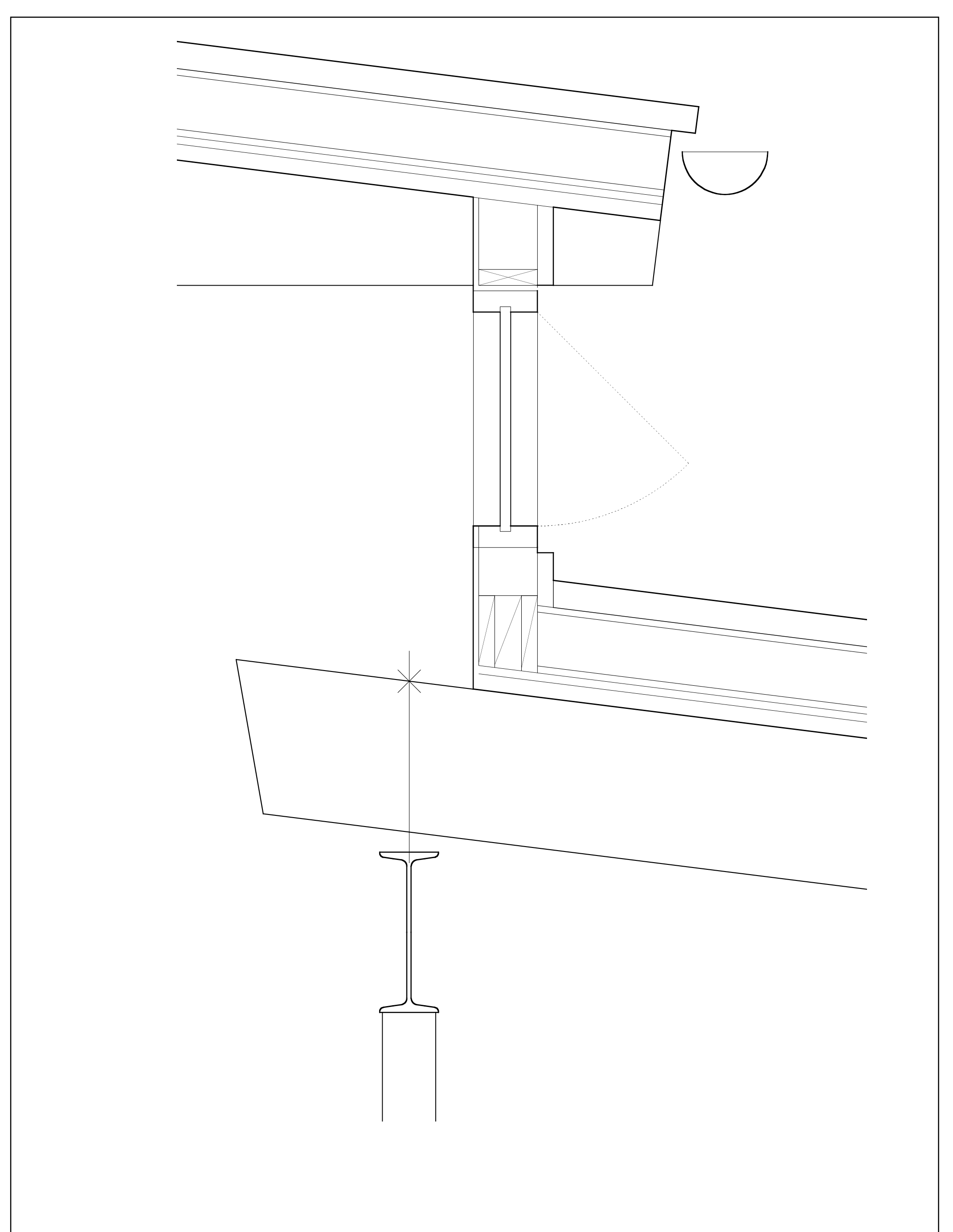
WINDOW VENT DETAIL 1



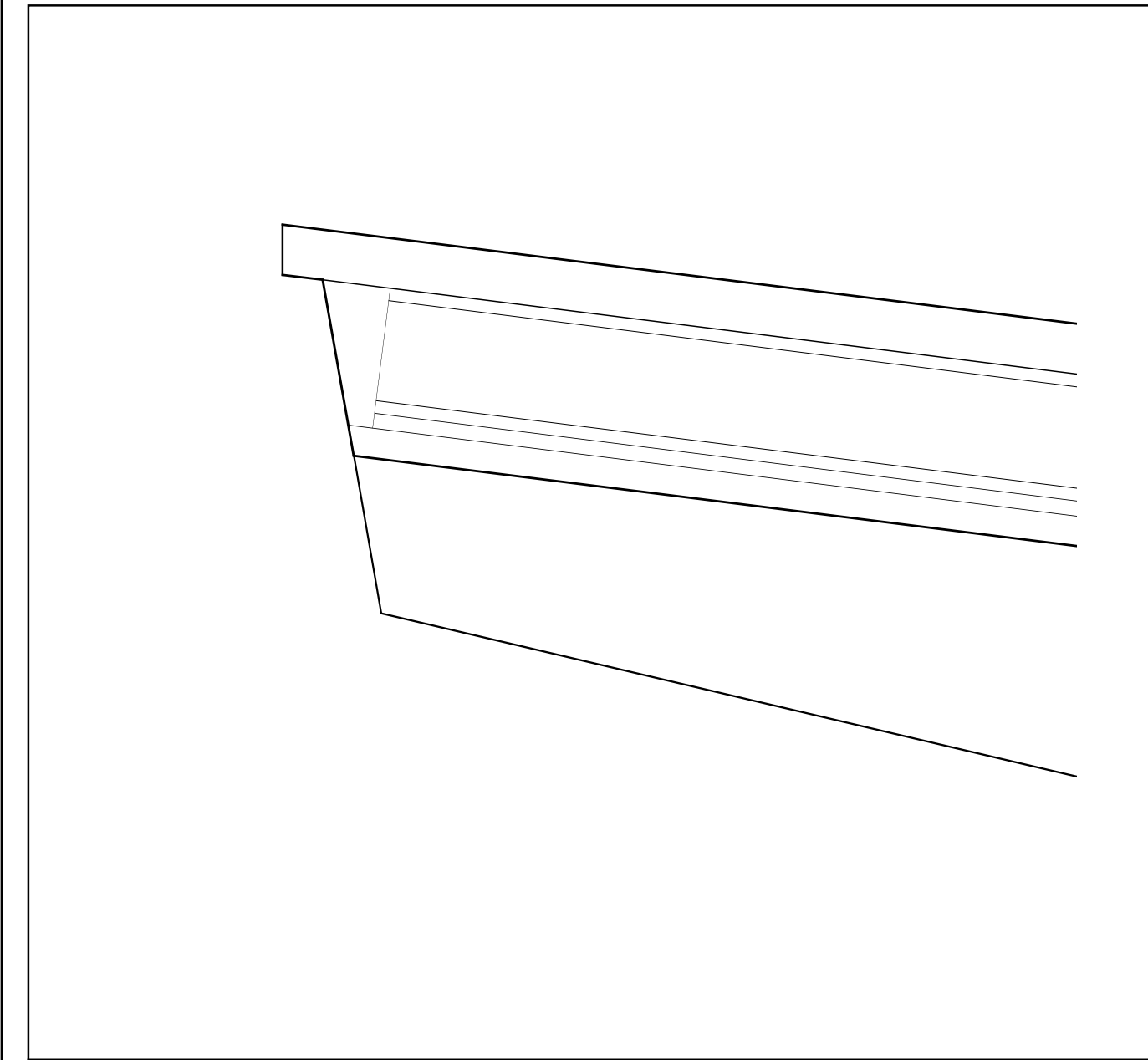
NOT USED 2



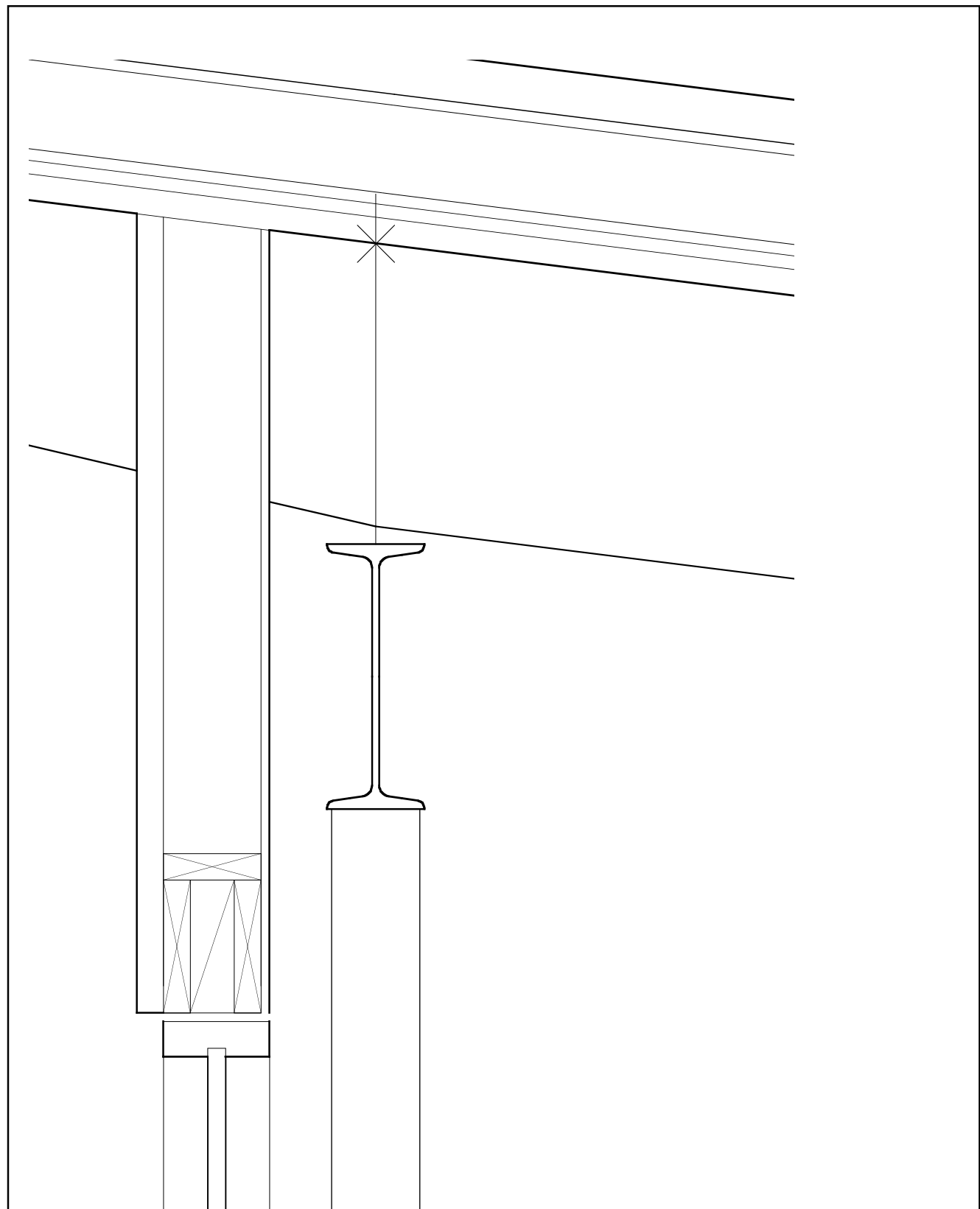
WINDOW VENT DETAIL 8



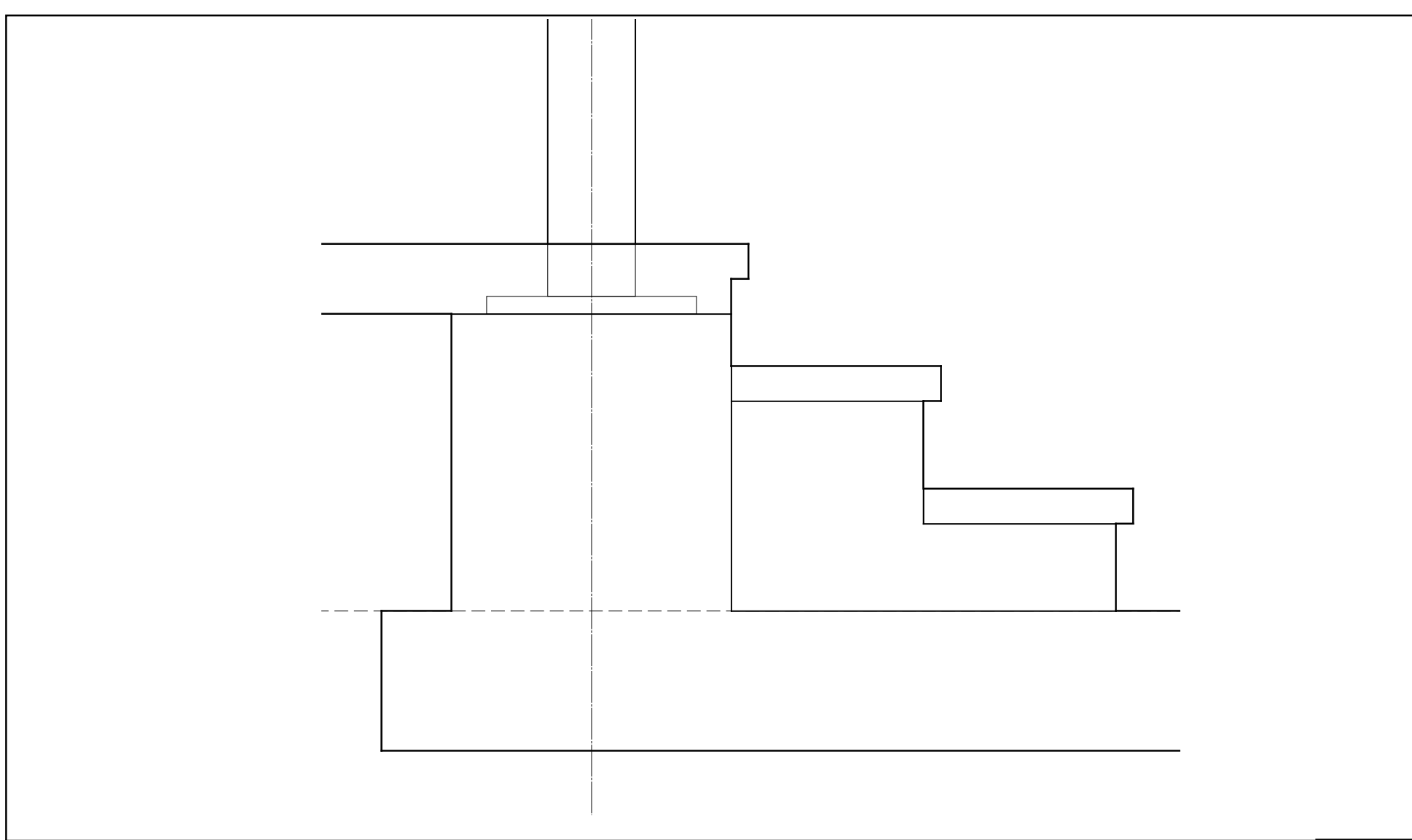
WINDOW VENT DETAIL 10



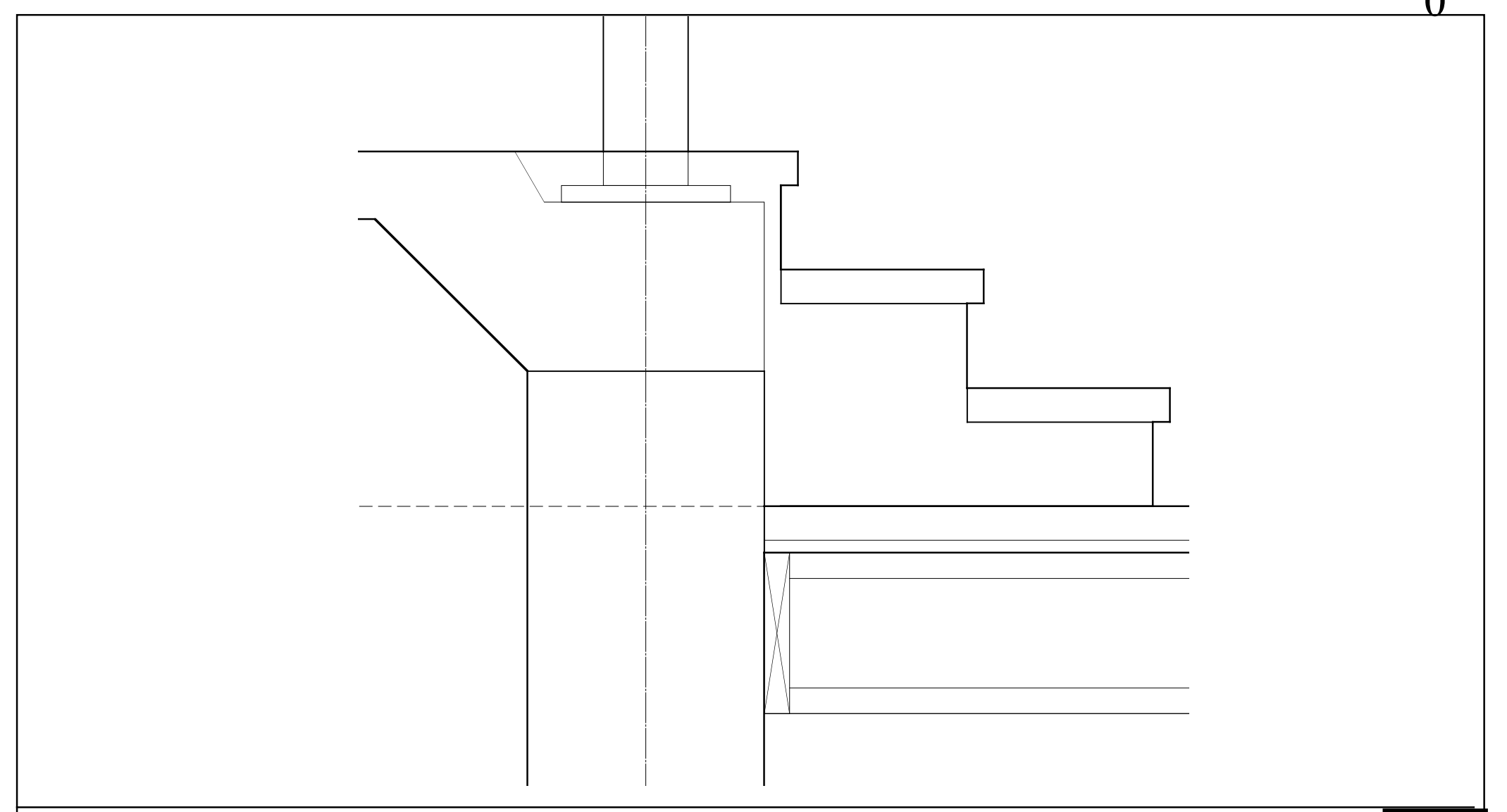
RAFTER TAIL DETAIL 6



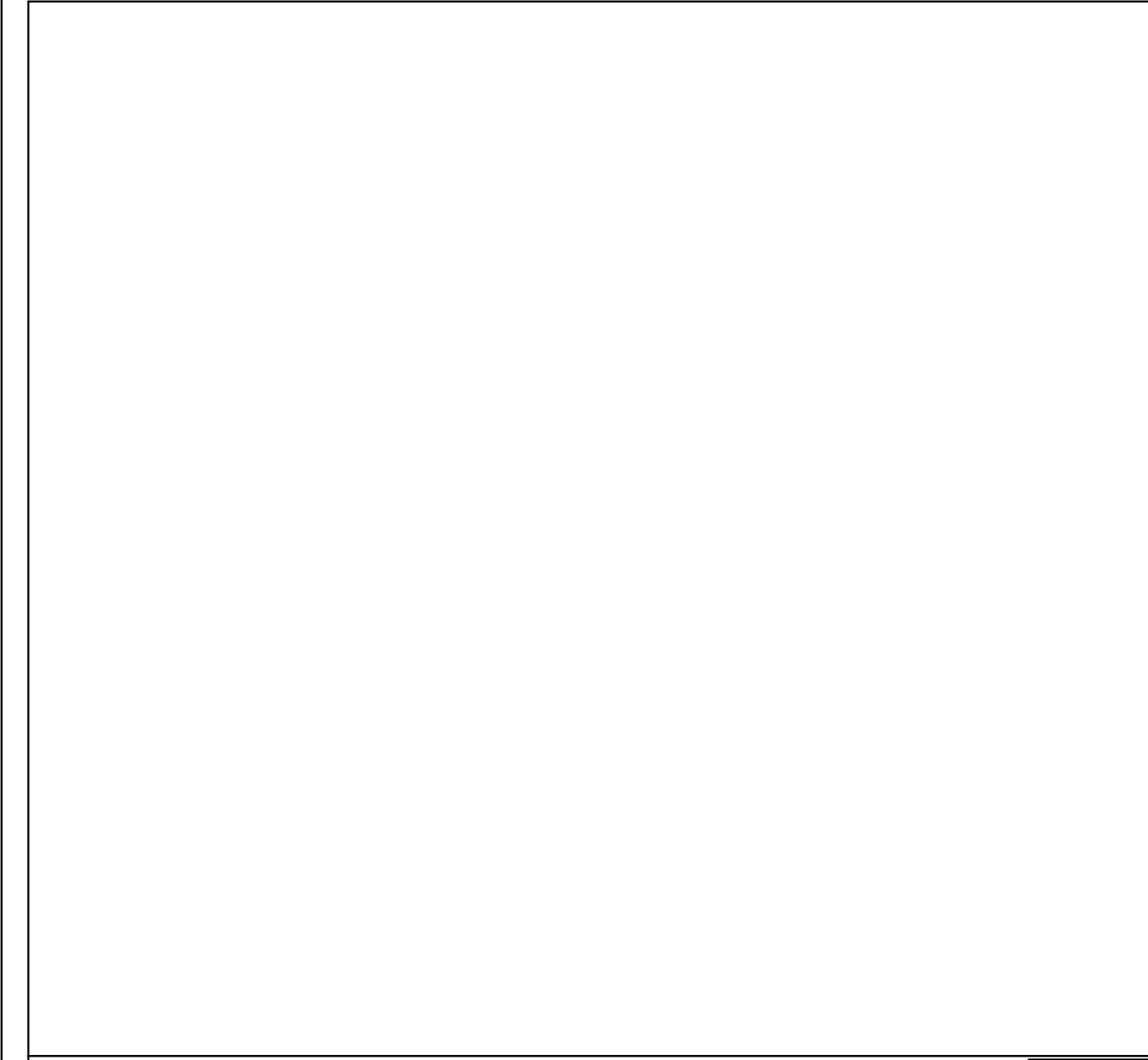
RAFTER DETAIL AT WINDOW 7



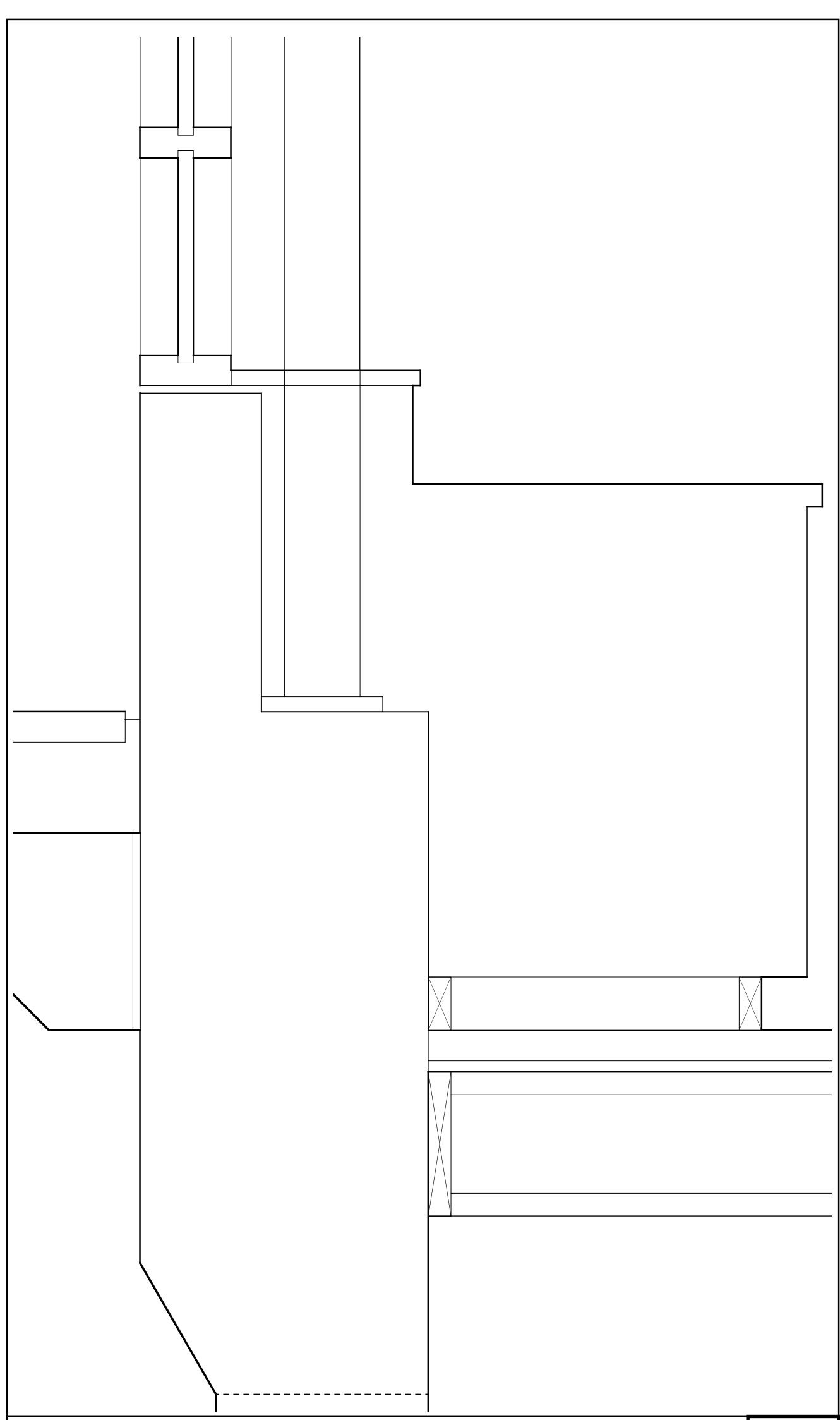
STAIR DETAIL 13



STAIR DETAIL 15



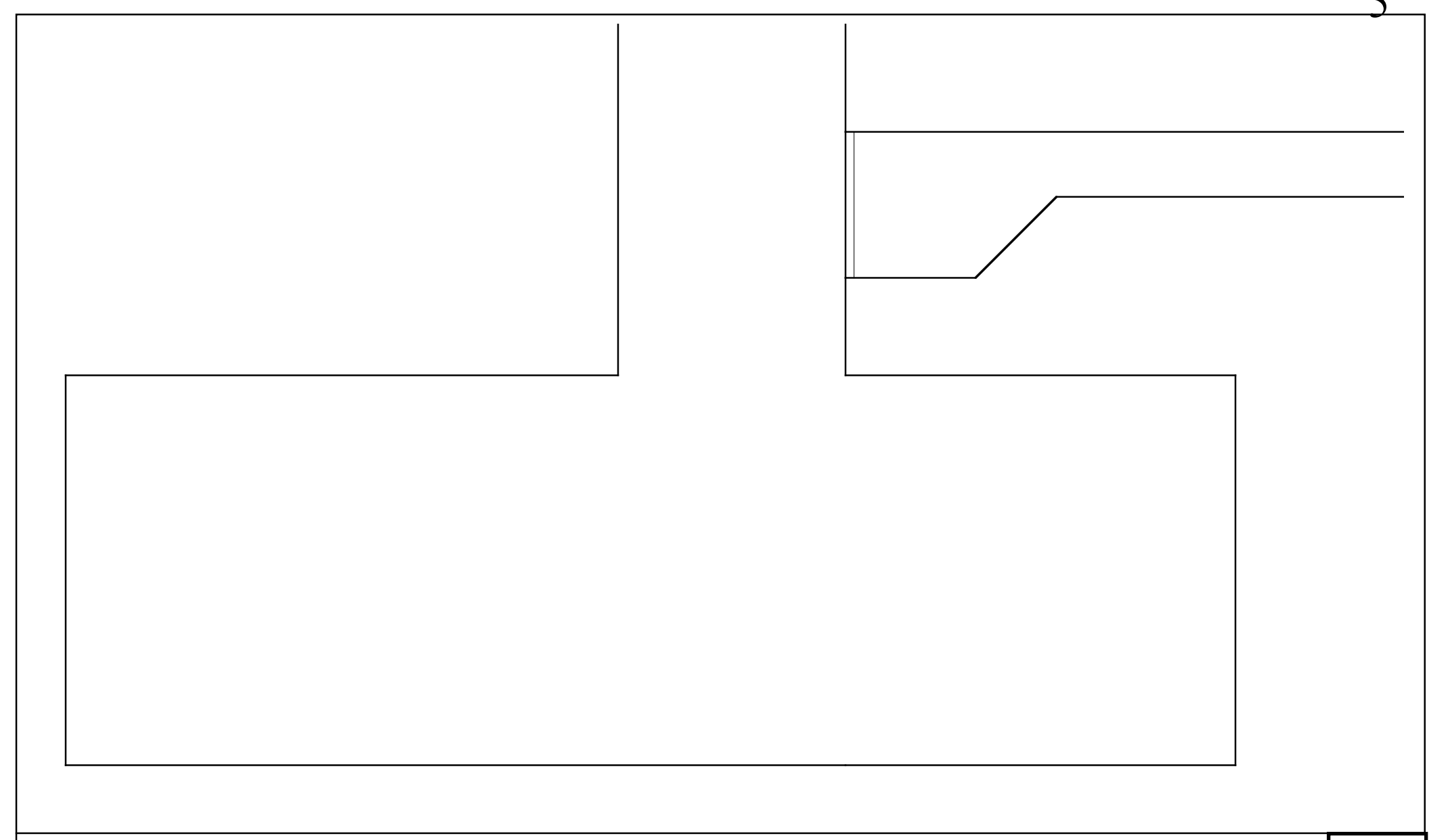
NOT USED 11



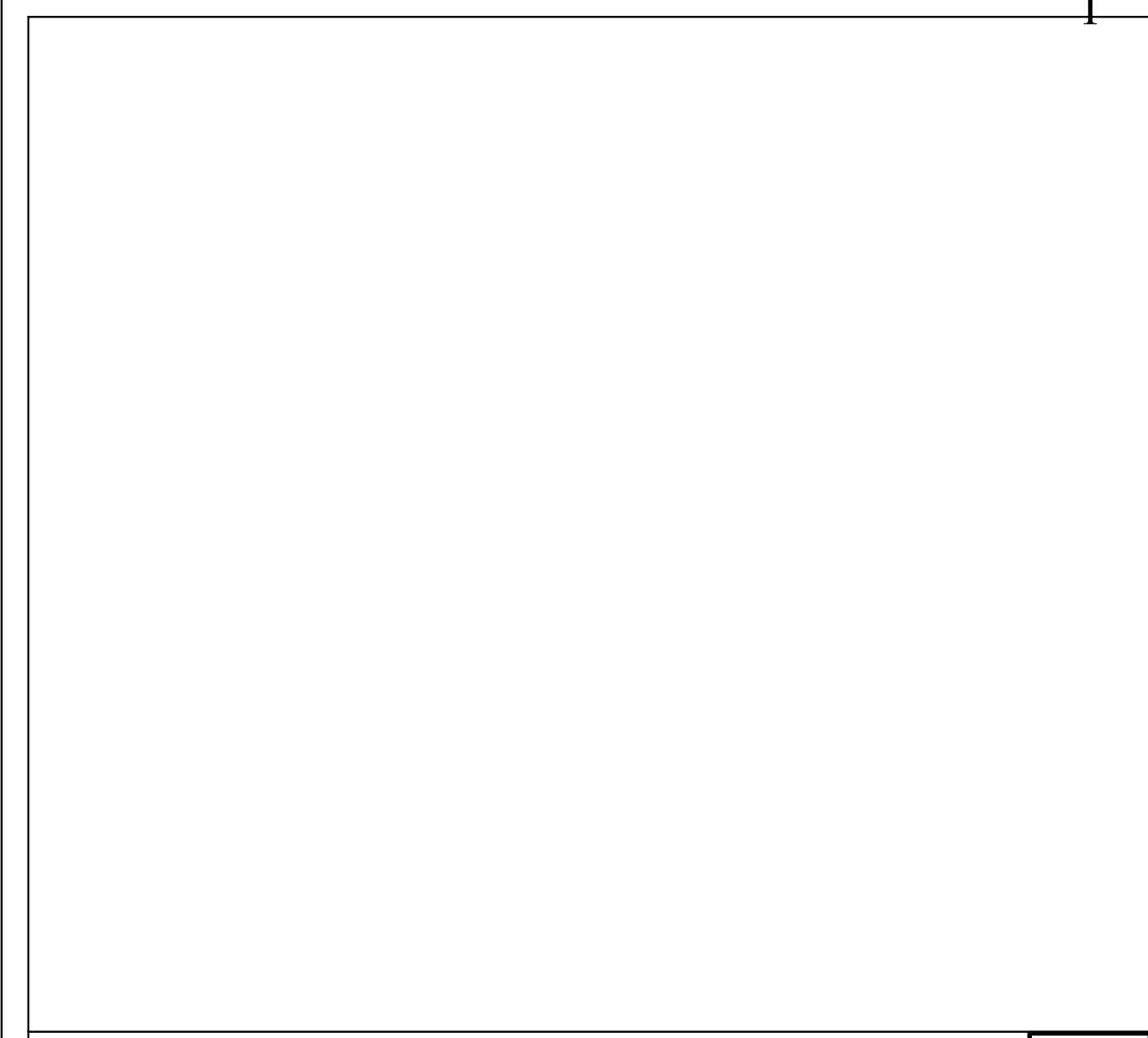
BASE CABINET DETAIL 17



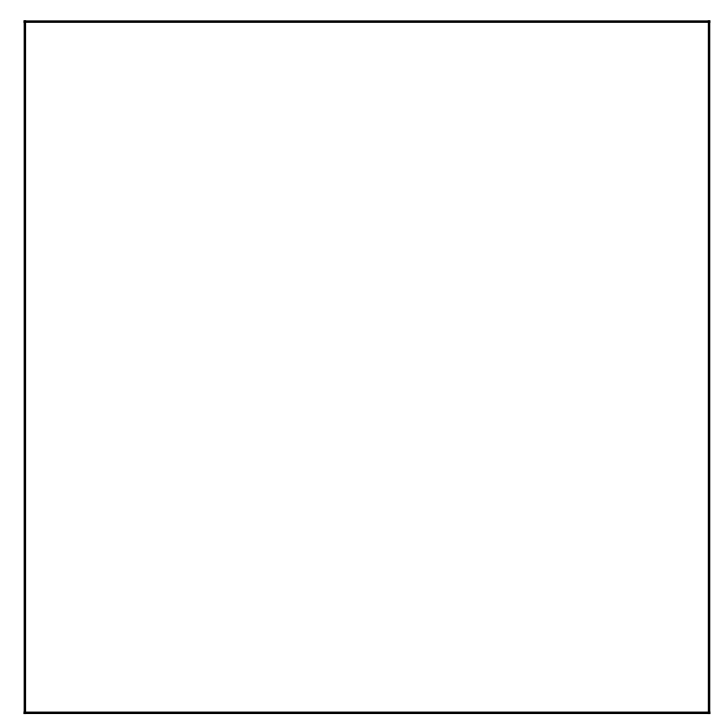
NOT USED 18



FOUNDATION DETAIL 20



NOT USED 19



VERTICAL DETAILS

Drawn by: BF Job Number: 2804.00
Checked by: Scale: 1-1/2" = 1'-0"
Plot Date: Issue Date: 11 AUG 08

A
5.1