

ENERGY LAB

Hawai'i
Preparatory
Academy

Kamuela, Hawaii

FLANSBURGH ARCHITECTS

77 North Washington Street
Boston, Massachusetts 02114
617.367.3970 tel
617.720.7873 fax
www.flaarchitects.com

Architecture
Master Planning
Space Planning
Interior Design

PROJECT MANAGEMENT

Pa'ahana Enterprises, LLC
P.O. Box 109
Kealahou, HI 9675
808.323.2304 tel/fax

SUSTAINABILITY

Buro Happold Consulting Engineers PC
100 Broadway, 23rd Floor
New York, NY, 10005
212 334 2025 tel

CIVIL ENGINEERING

Belt Collins Hawaii Ltd.
2153 North King Street, Suite 200
Honolulu, Hawaii 96819
808.521.5361 tel
808.538.7819 fax

STRUCTURAL ENGINEERING

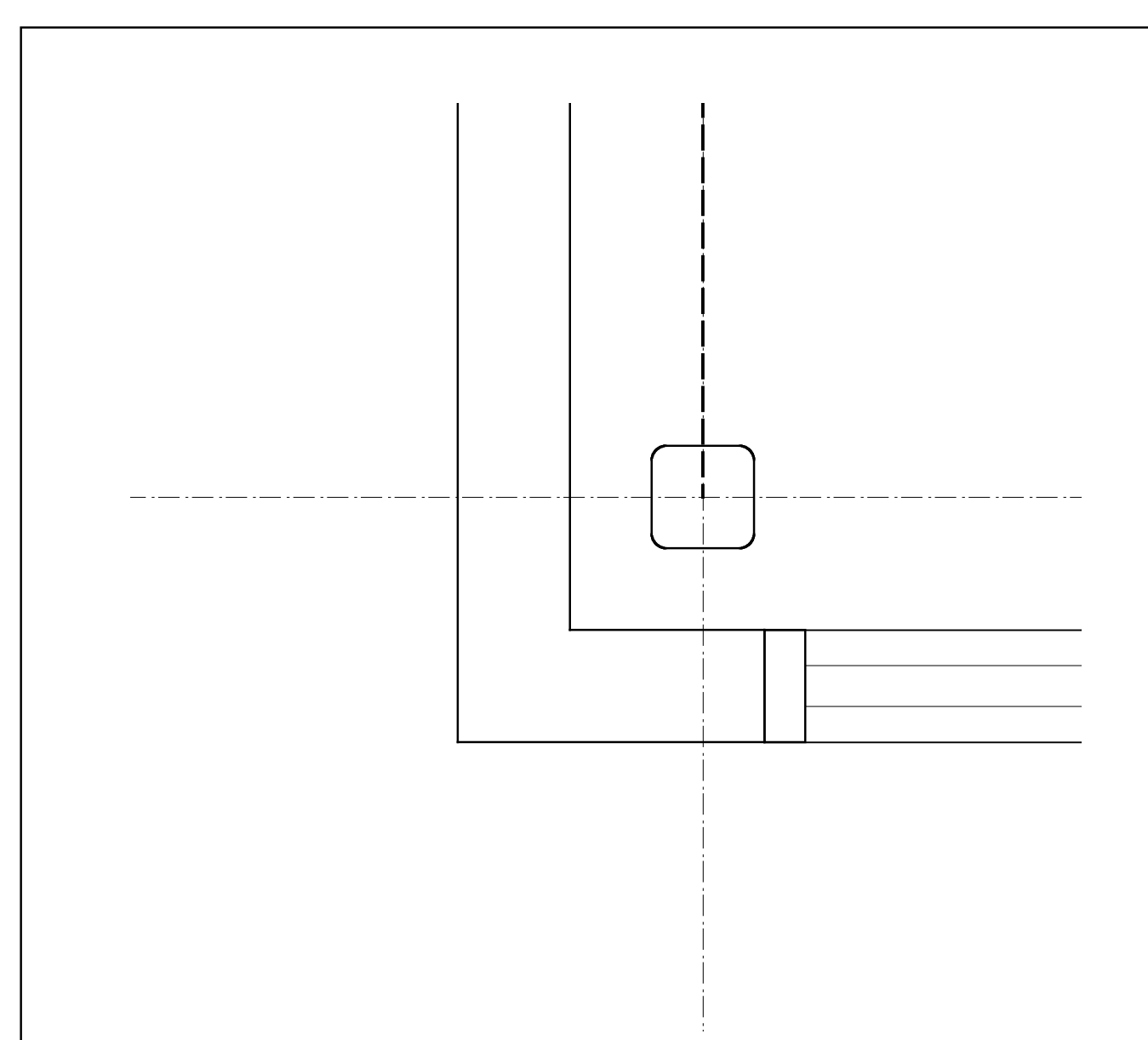
Walter Vorfeld & Associates
10 Uluia Street
Makawao, Maui, HI 96768
808.572.3535 tel
808.573.3616 fax

MECHANICAL ENGINEERING

Hakalau Engineering
PO Box 252
Hakalau, Hawaii 96710
808.961.6206 tel

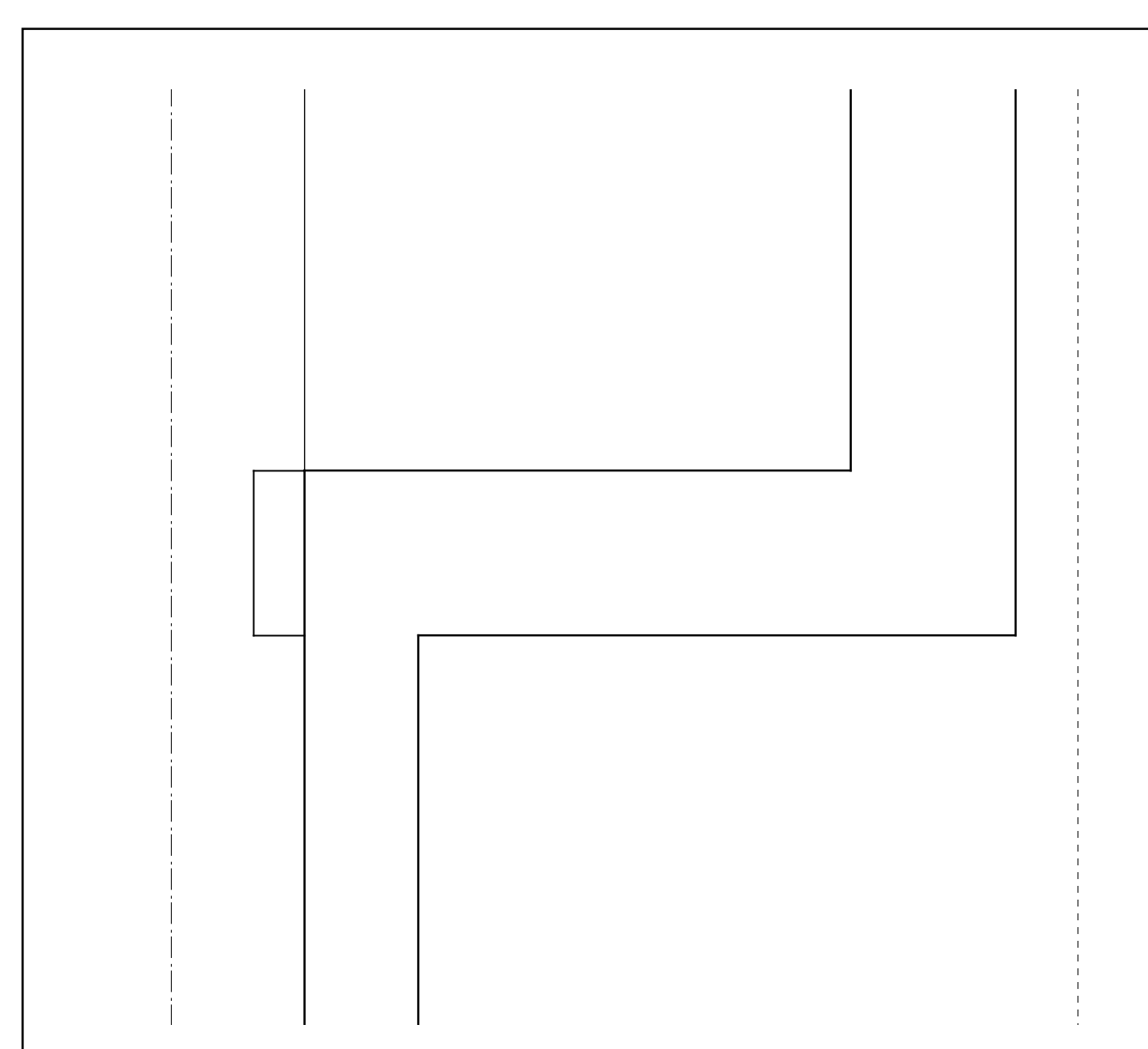
ELECTRICAL ENGINEERING

Wallace T. Oki, PE, Inc.
808.961.9666 x22



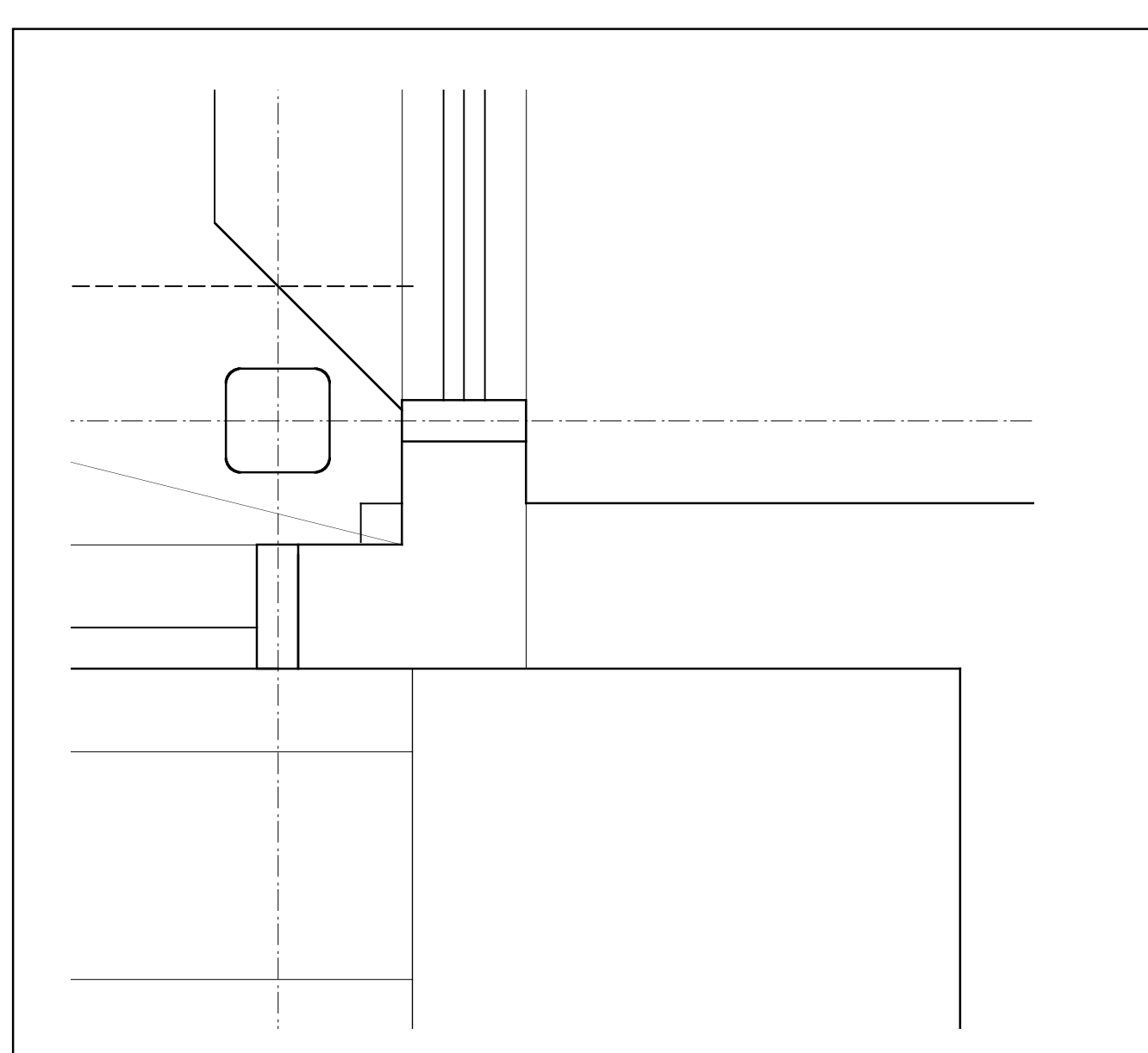
TYPICAL CORNER DETAIL

1



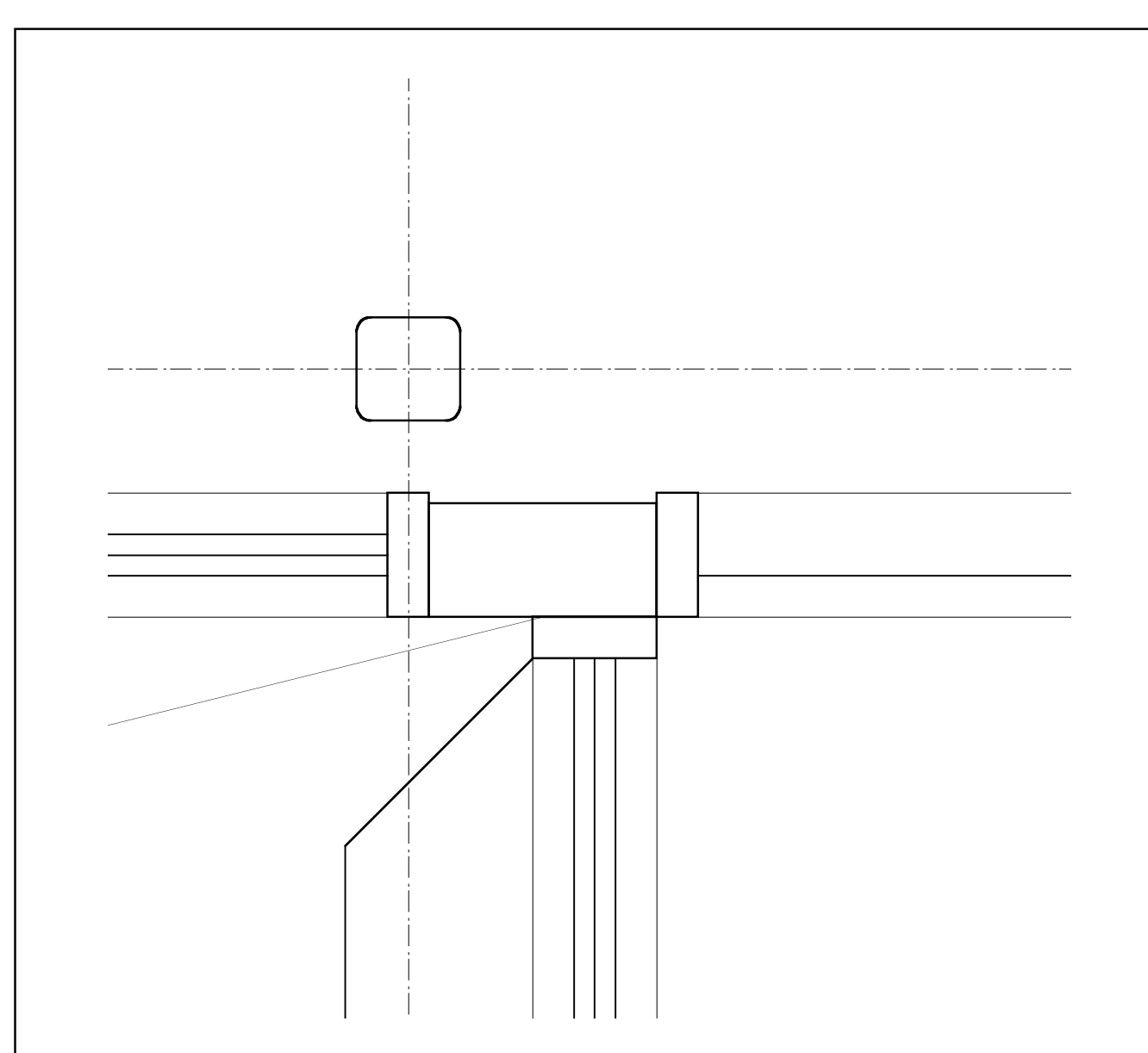
DETAIL AT STORAGE CLOSET

2



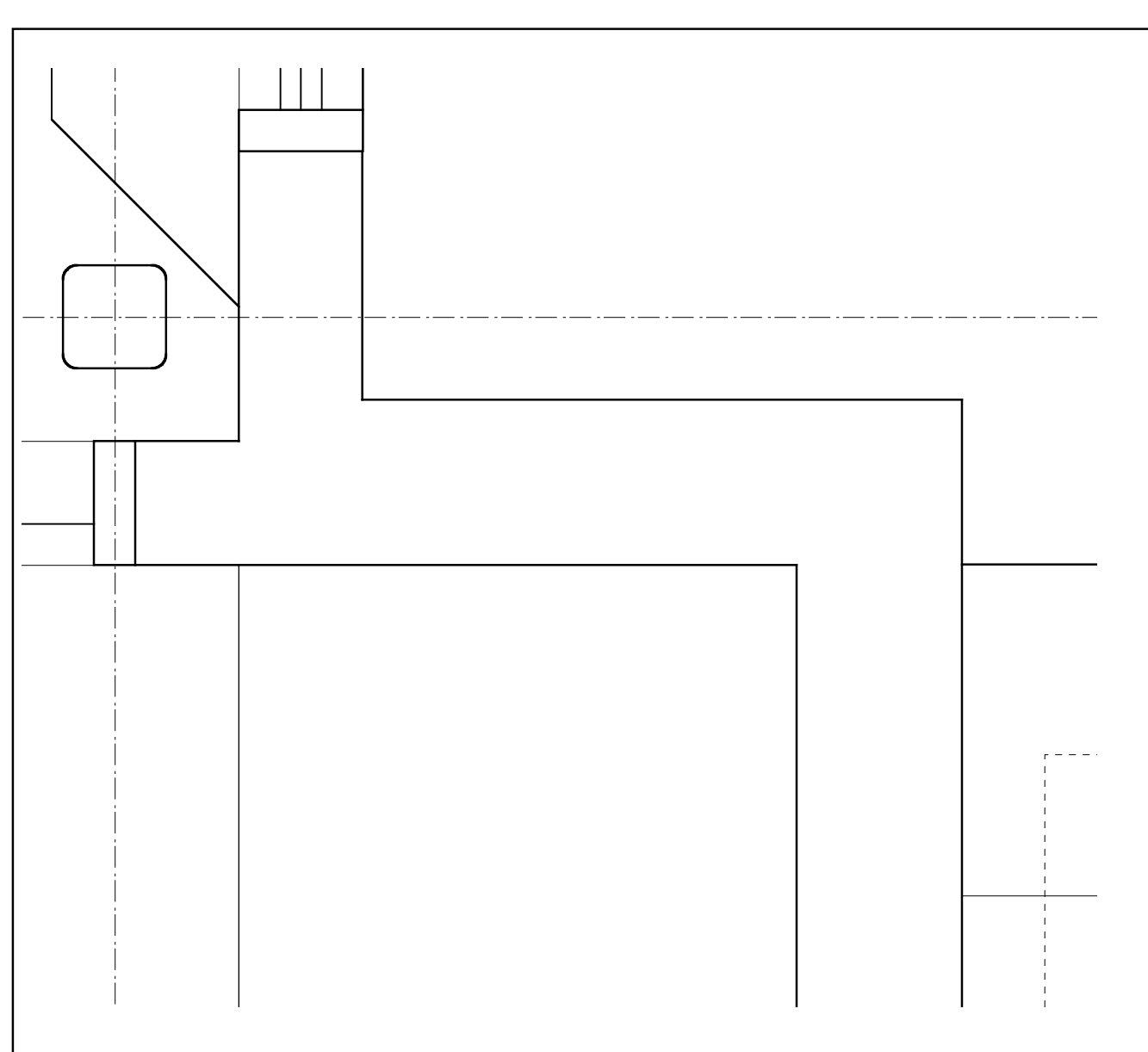
DETAIL AT STORAGE CLOSET

3



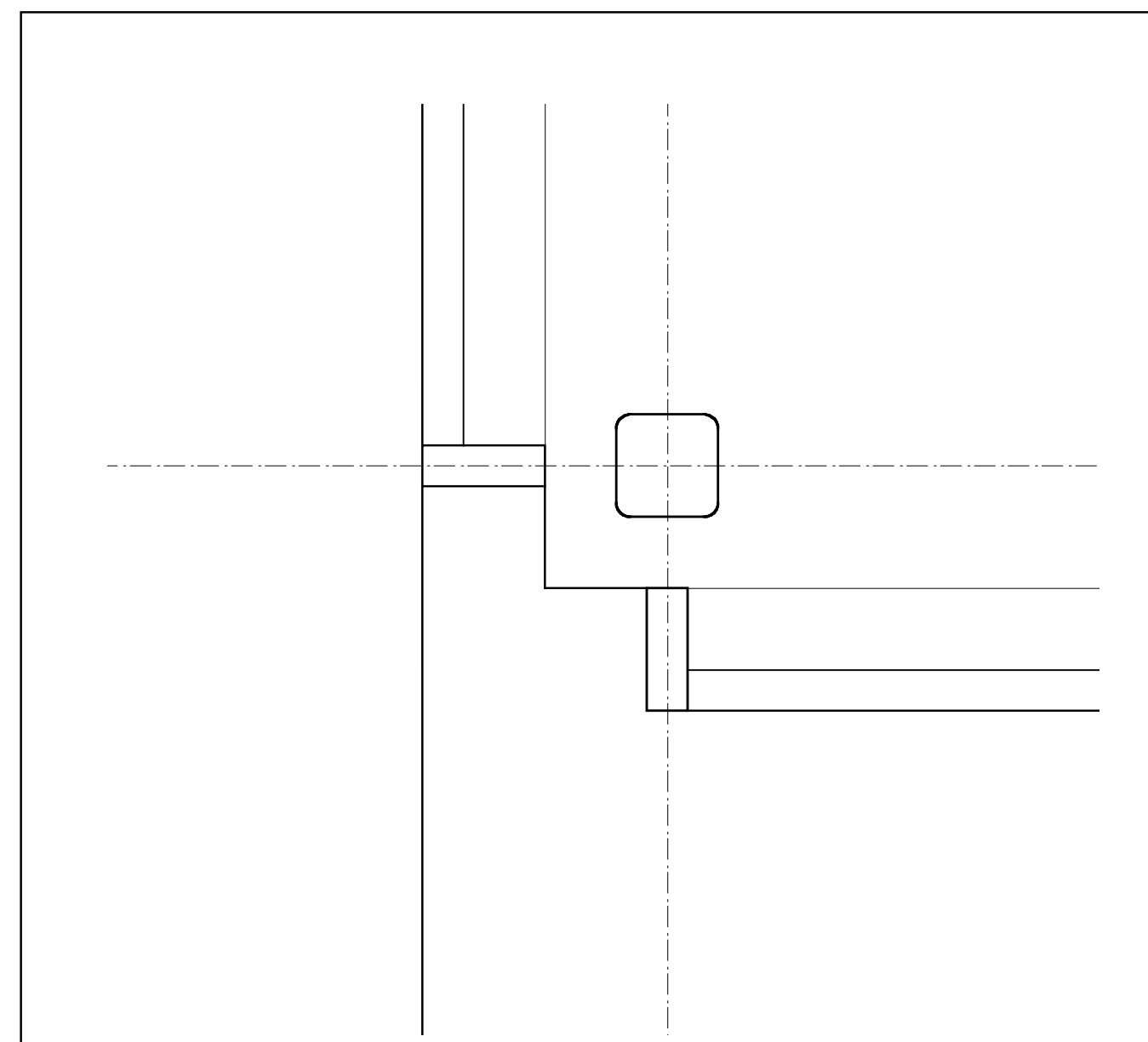
CORNER DETAIL AT WINDOW

3



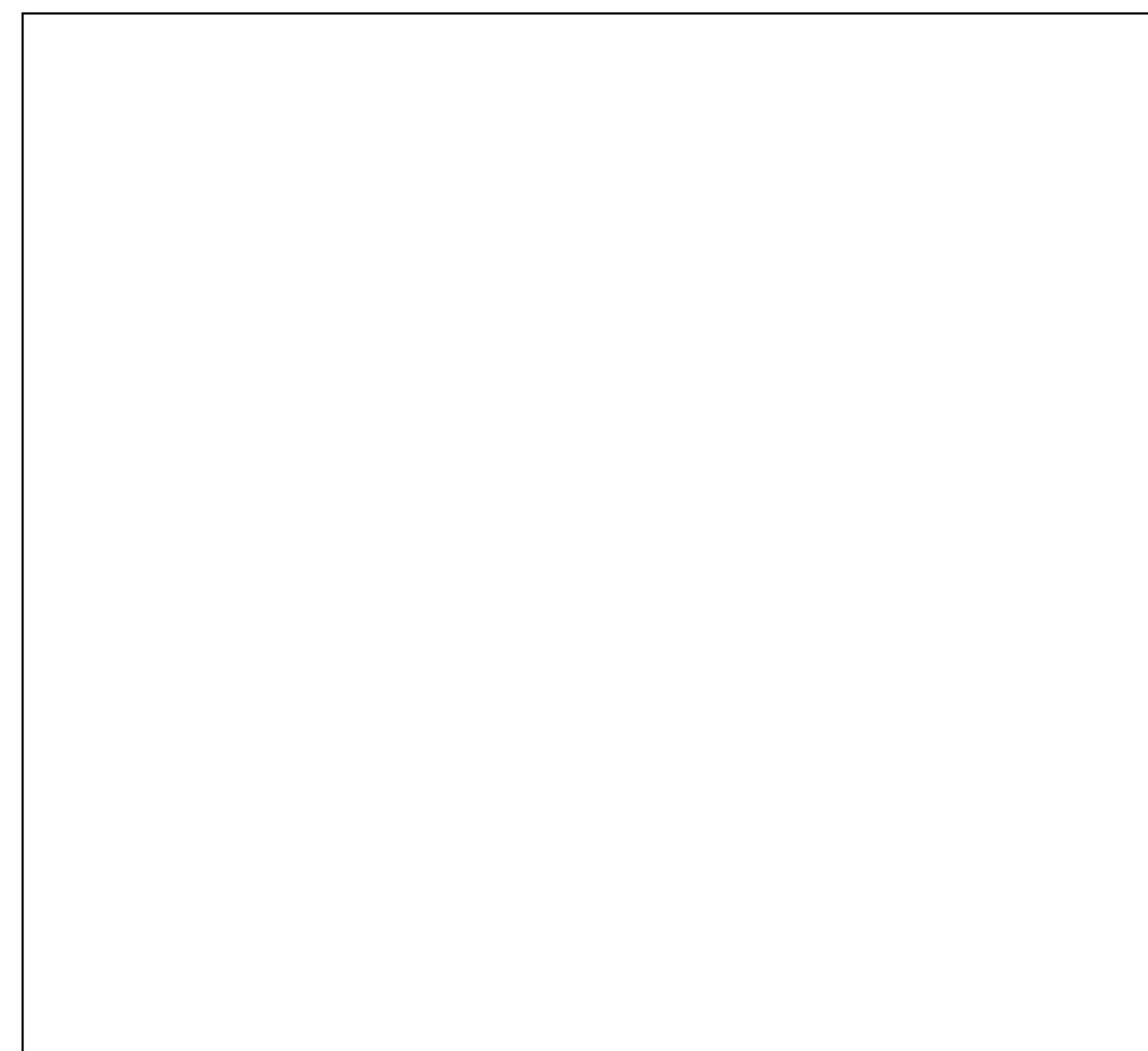
CORNER DETAIL AT STORAGE & WINDOW

5



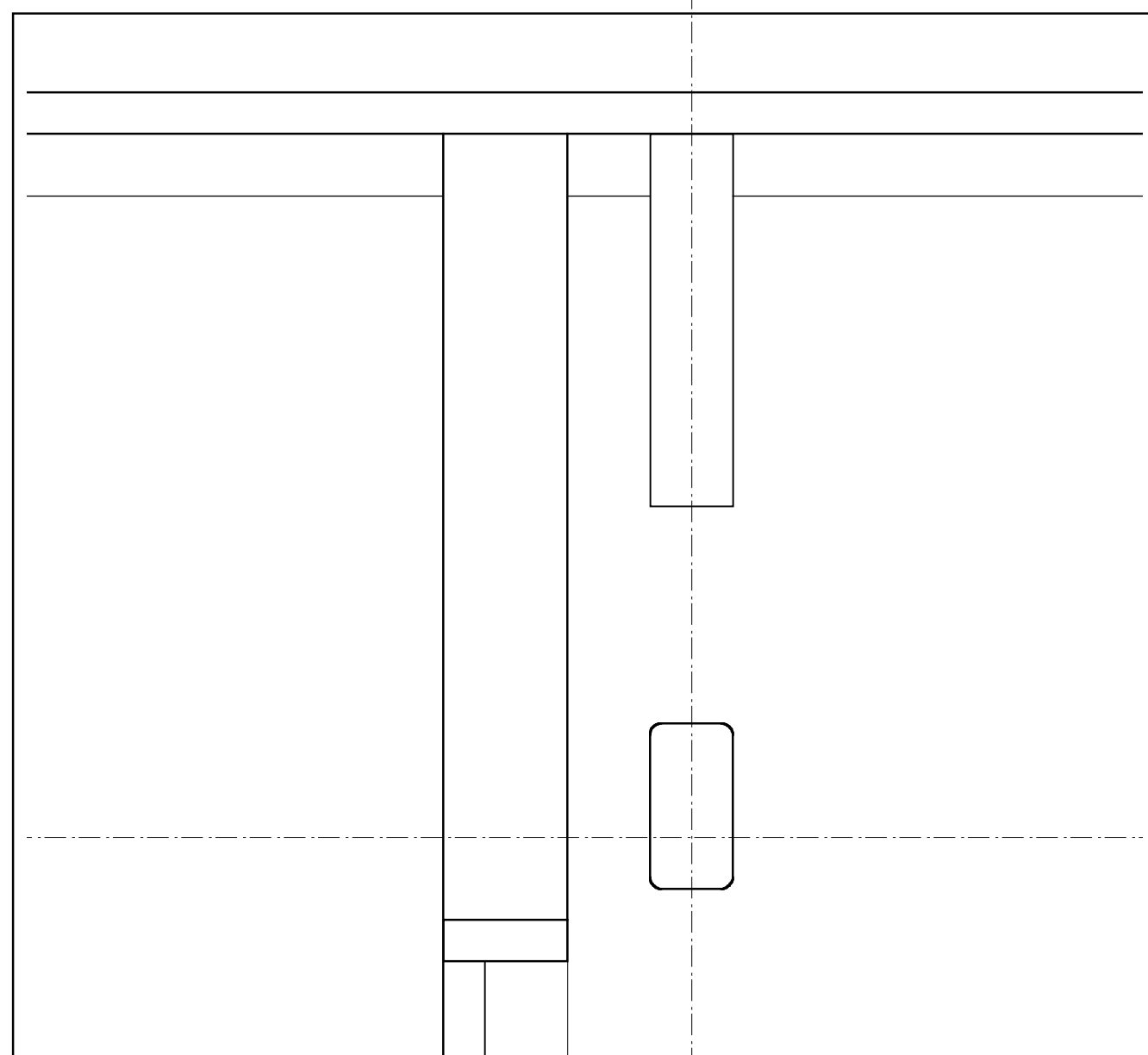
CORNER DETAIL

6



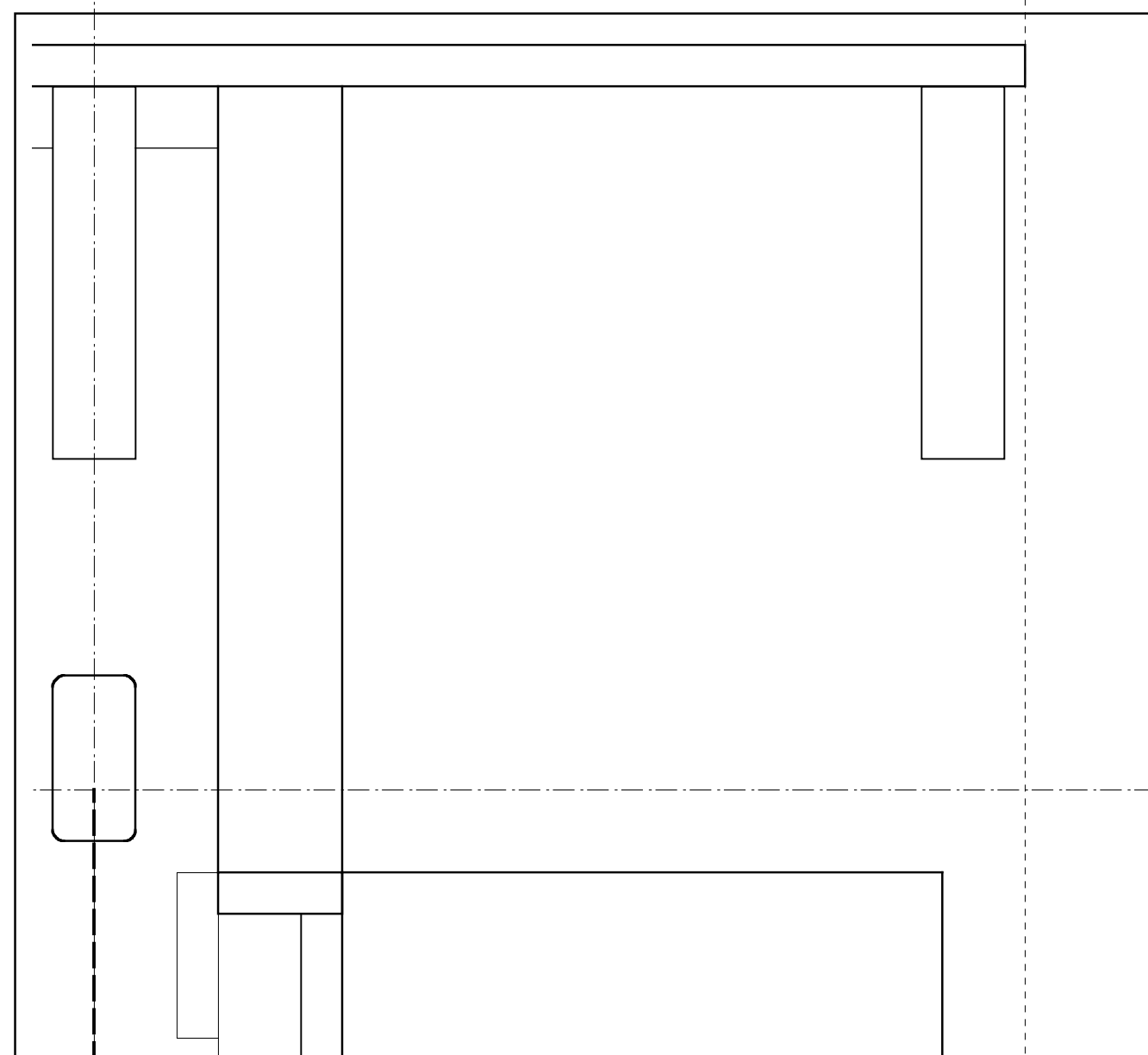
NOT USED

7



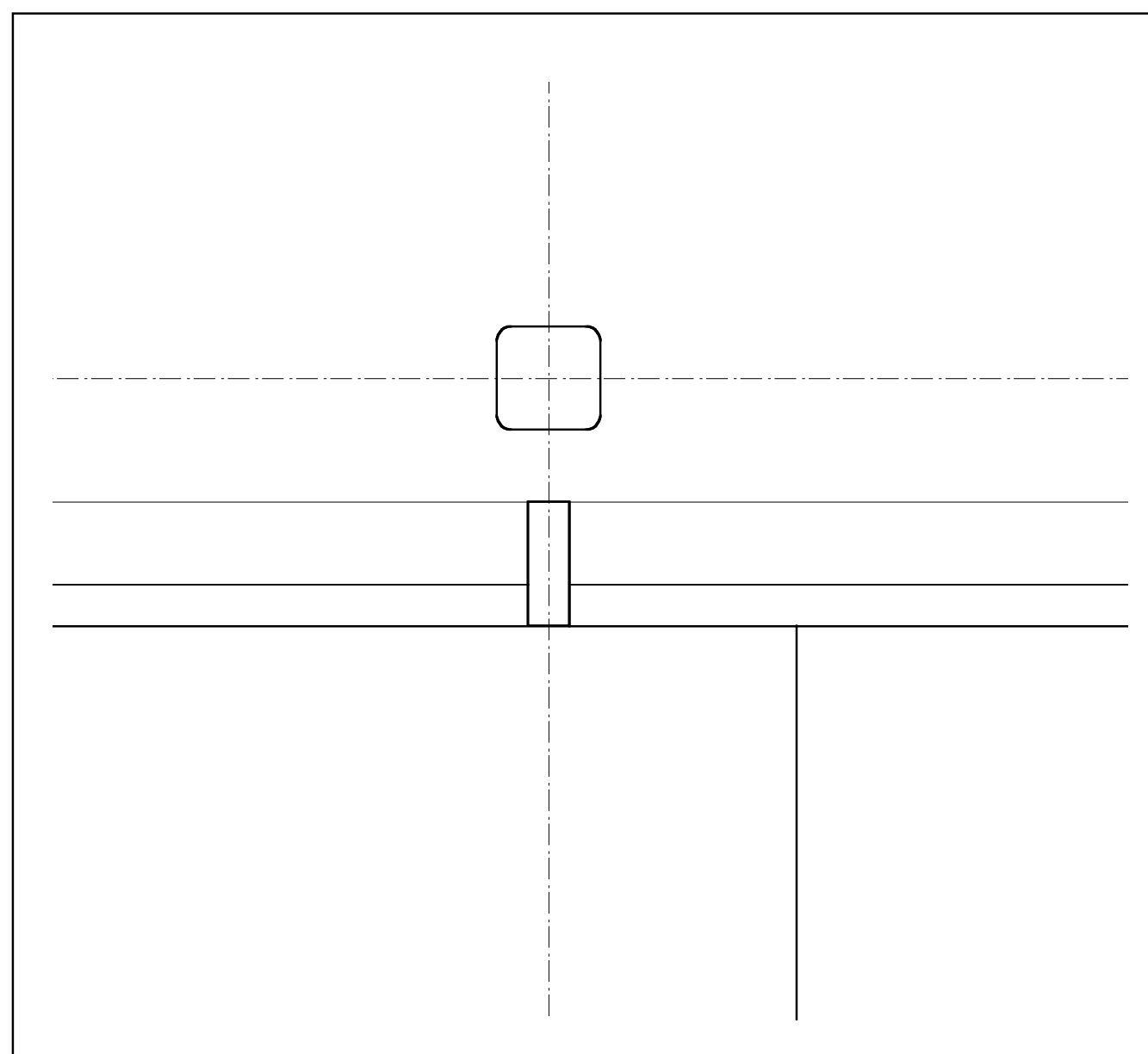
WINDOW DETAIL AT ROOF

8



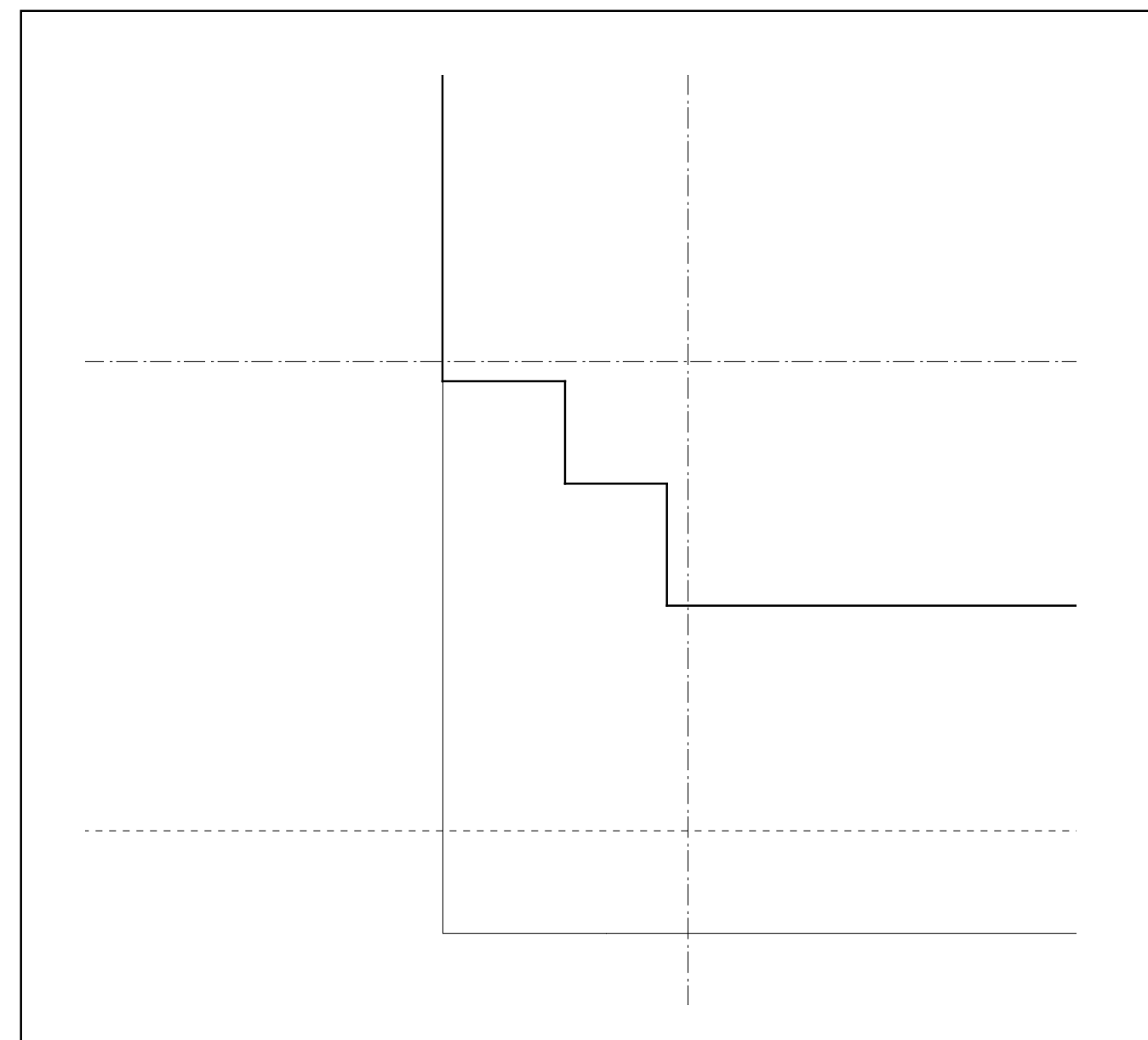
WINDOW DETAIL AT ROOF

9



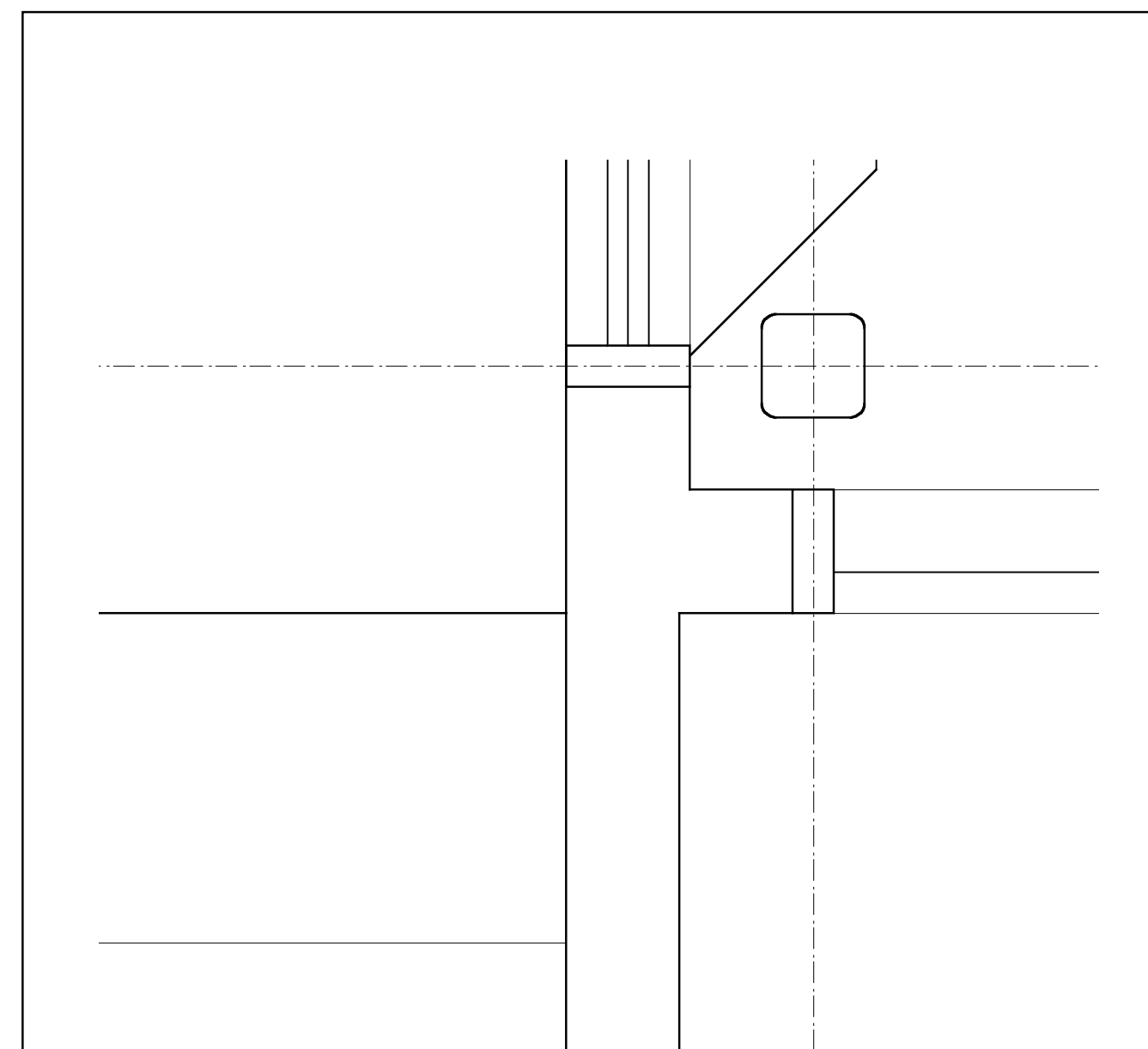
CORNER DETAIL AT WINDOW

10



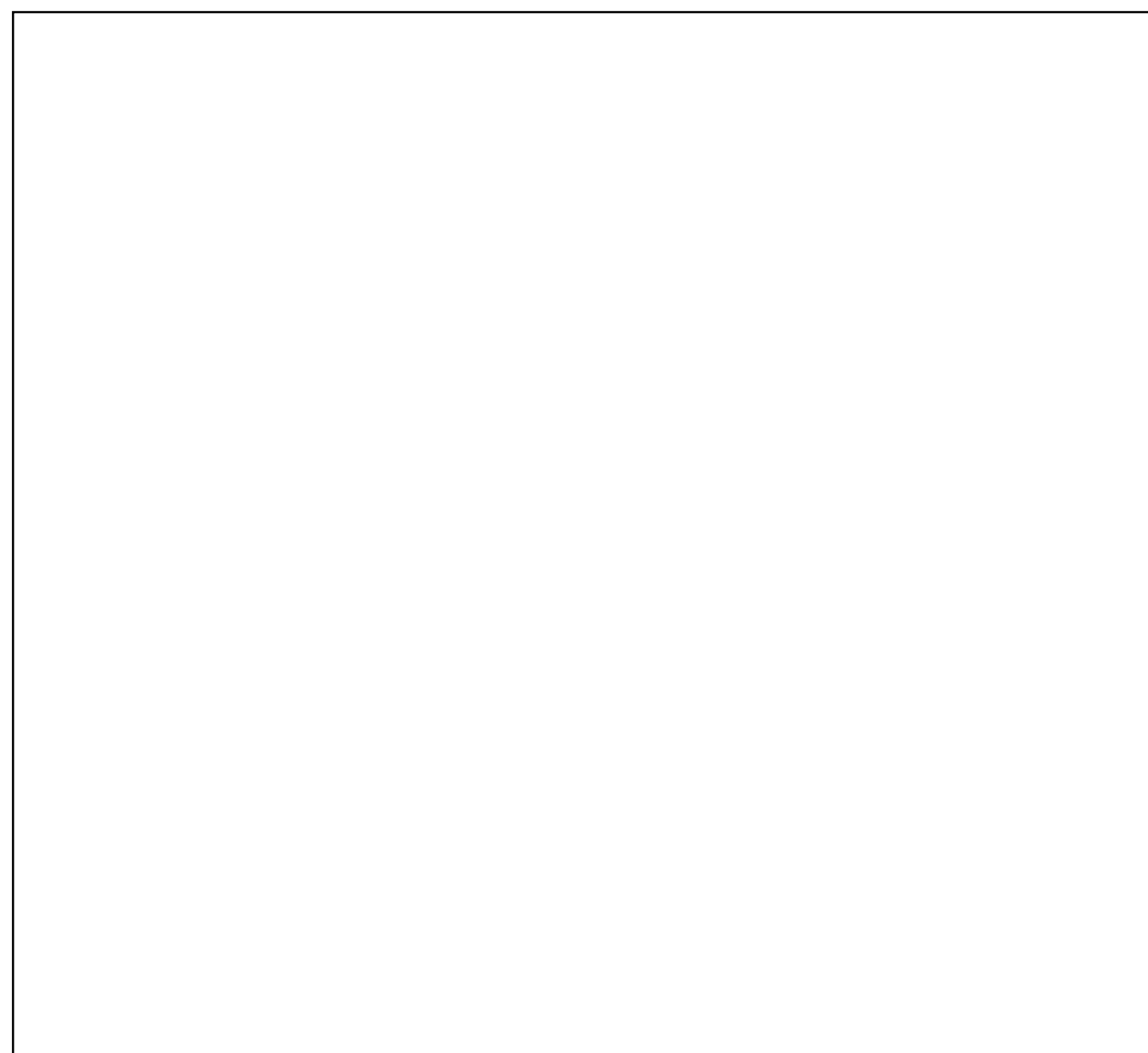
CORNER DETAIL AT OUTDOOR CABINET

11



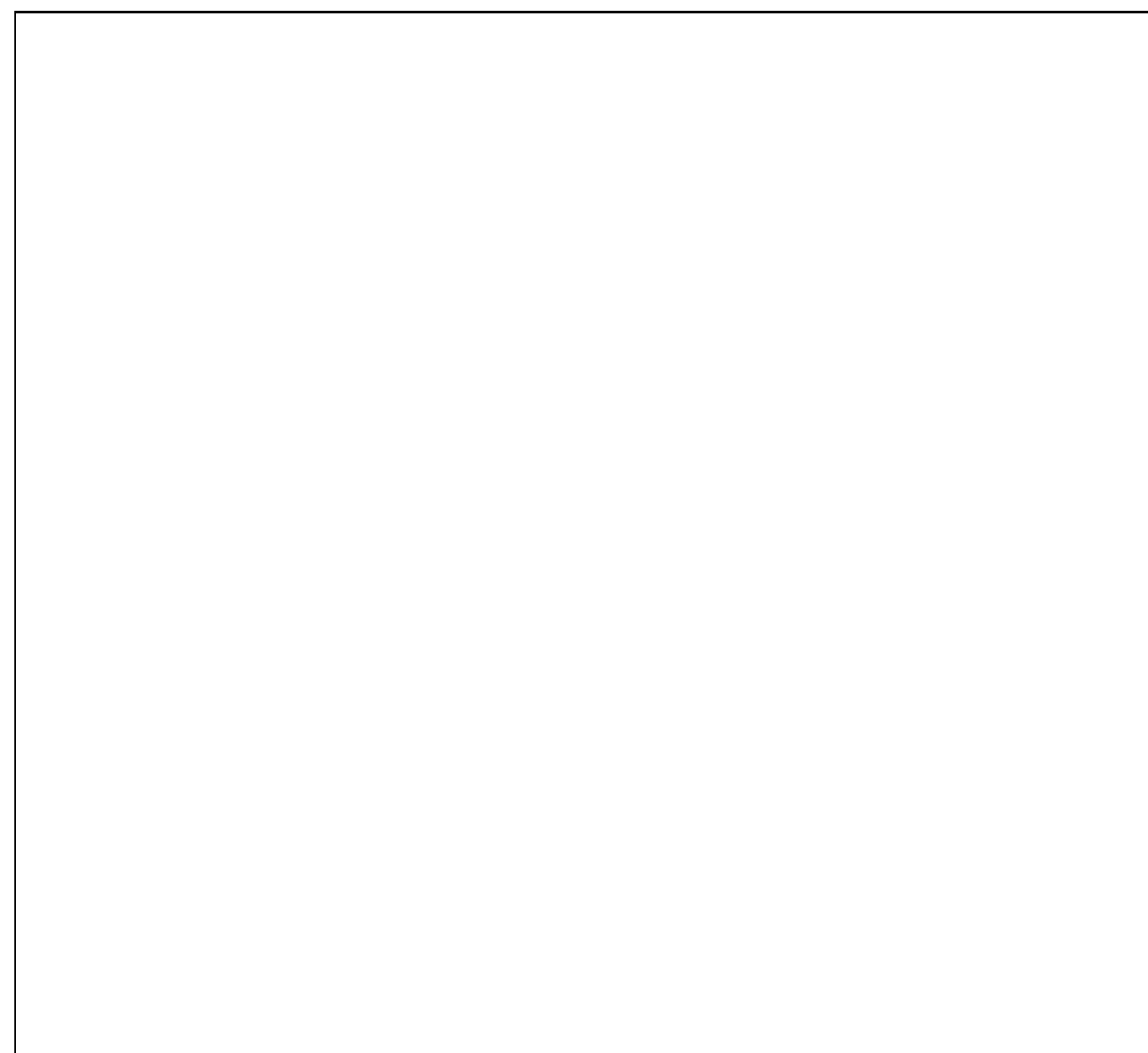
CORNER DETAIL

12



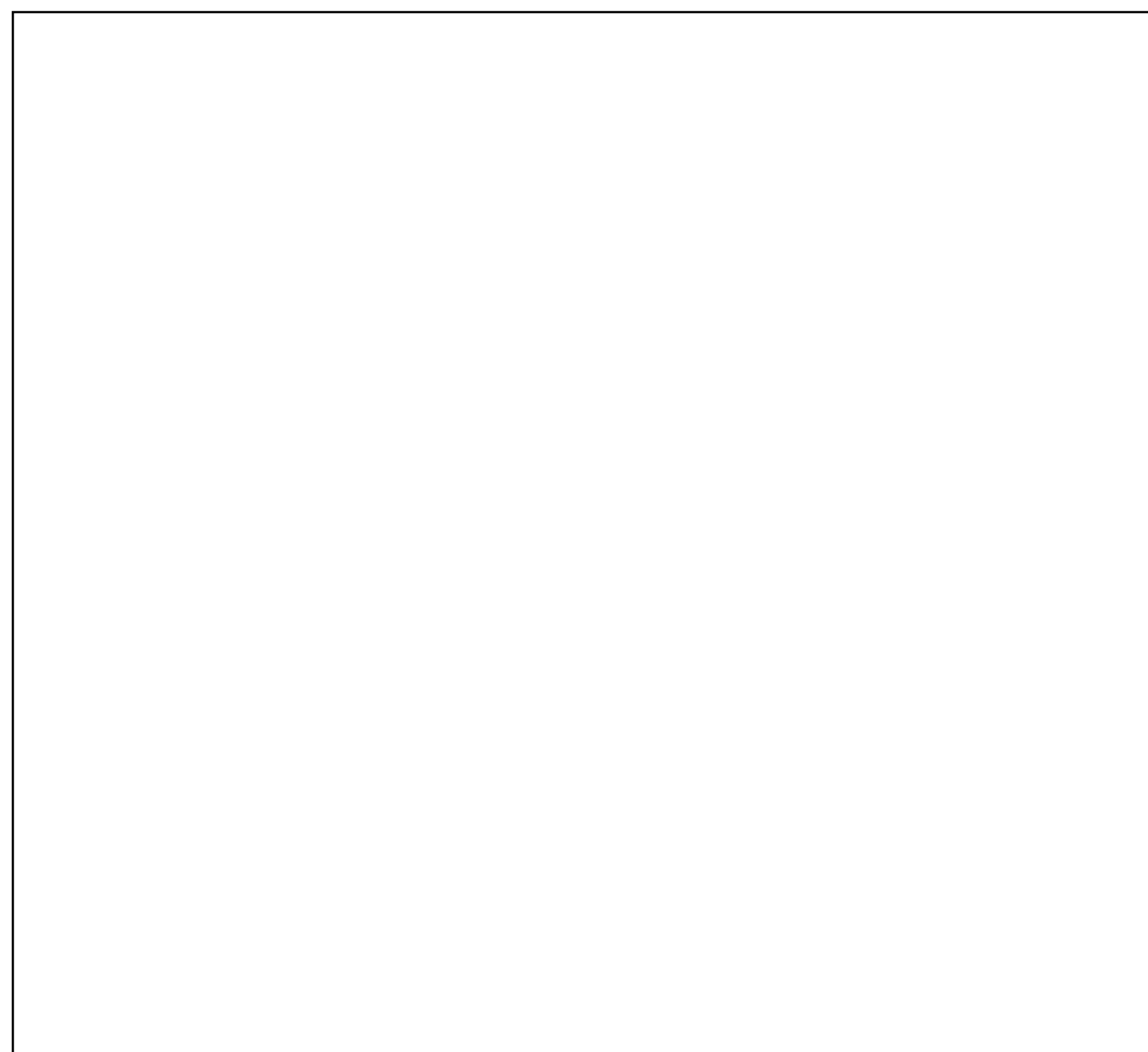
NOT USED

13



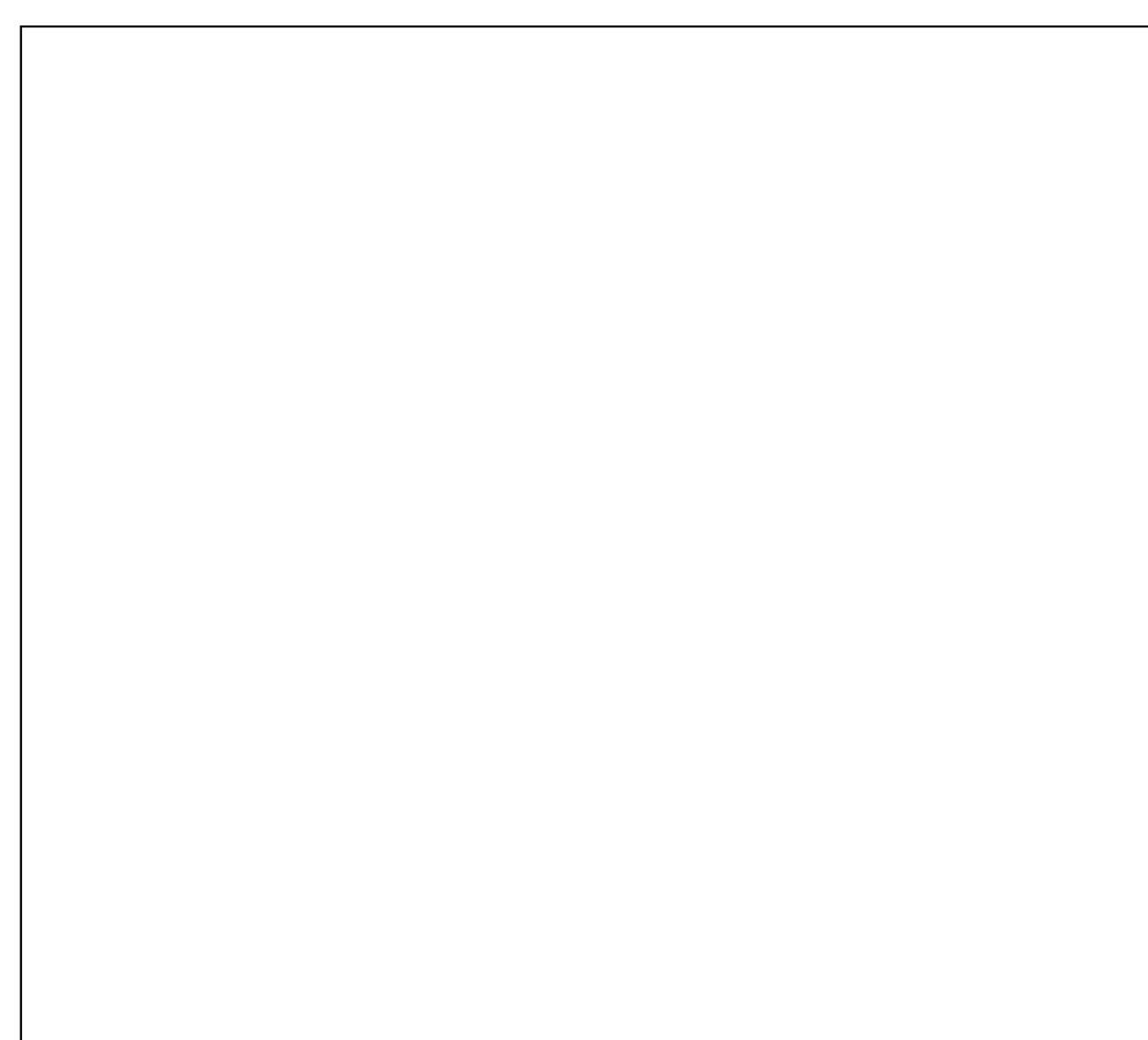
NOT USED

14



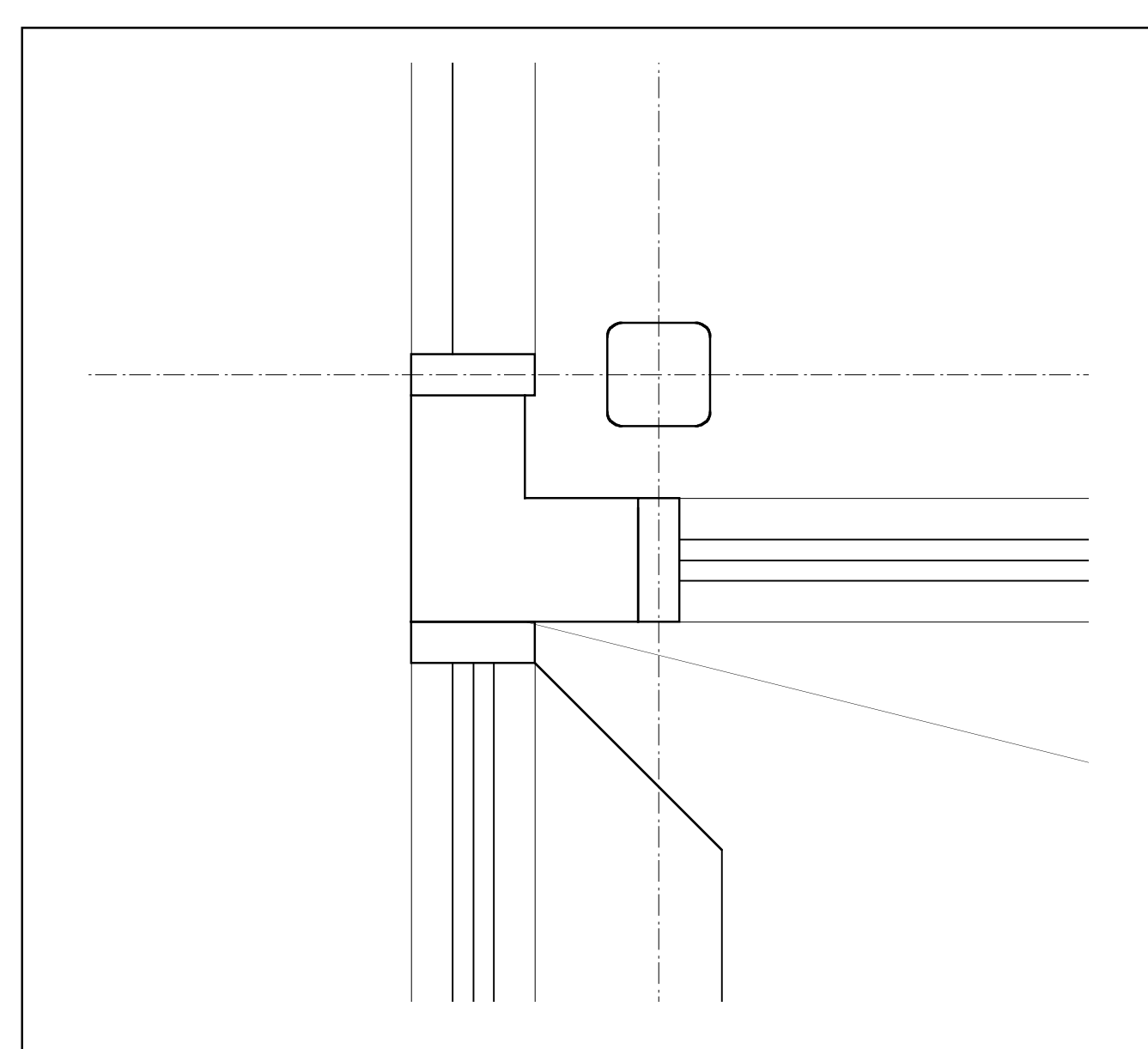
NOT USED

15



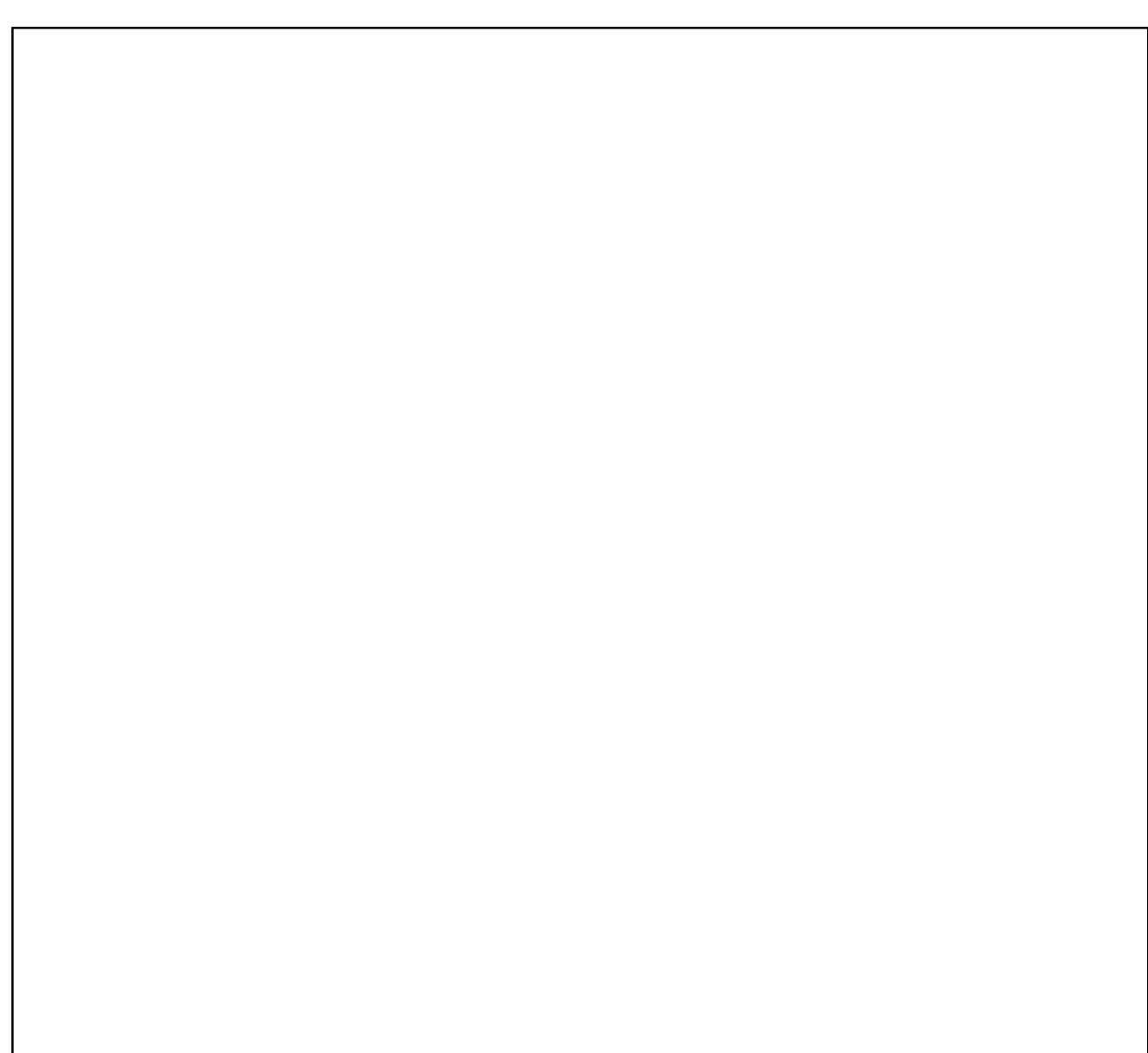
NOT USED

16



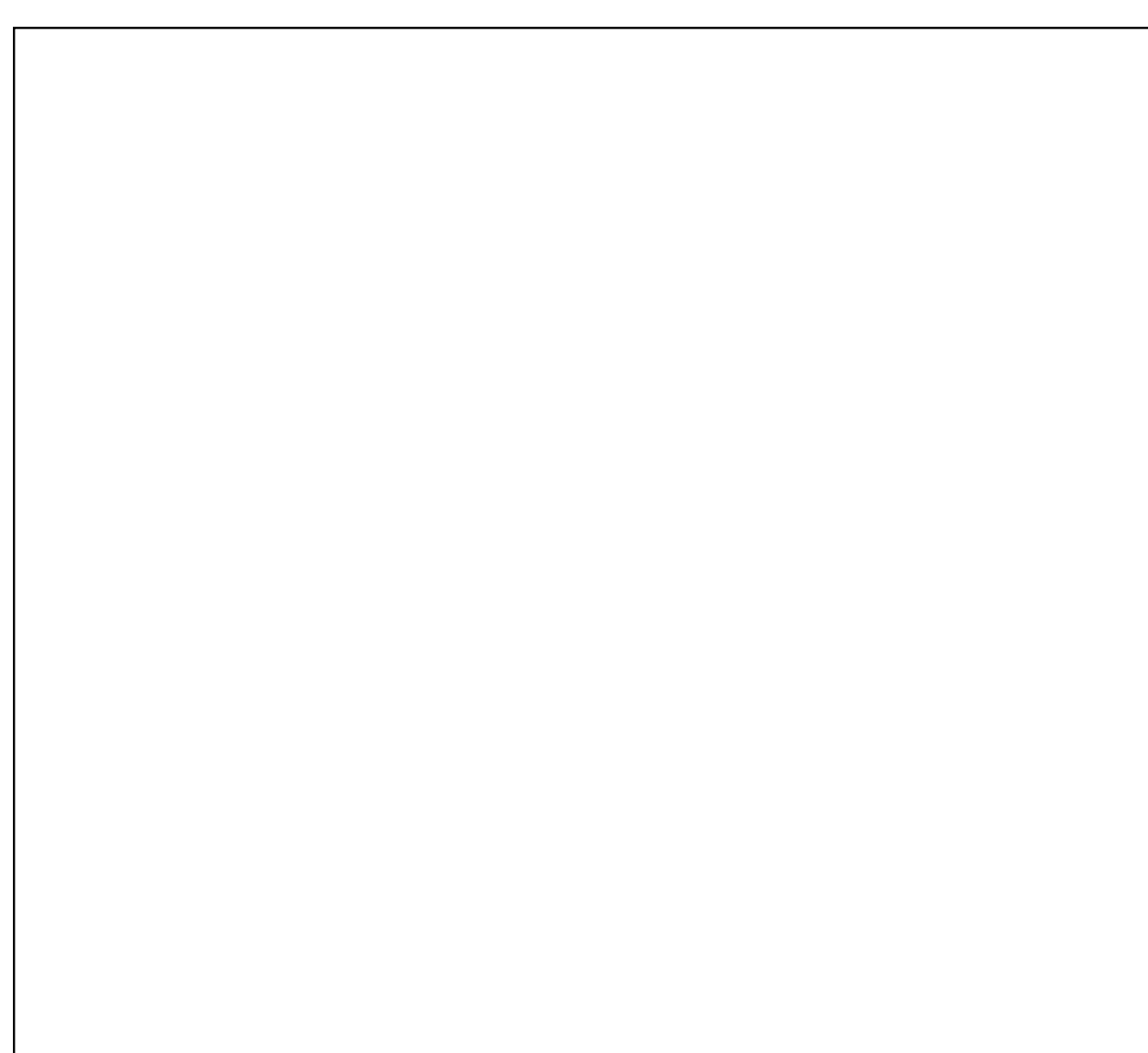
CORNER DETAIL AT COLUMN

17



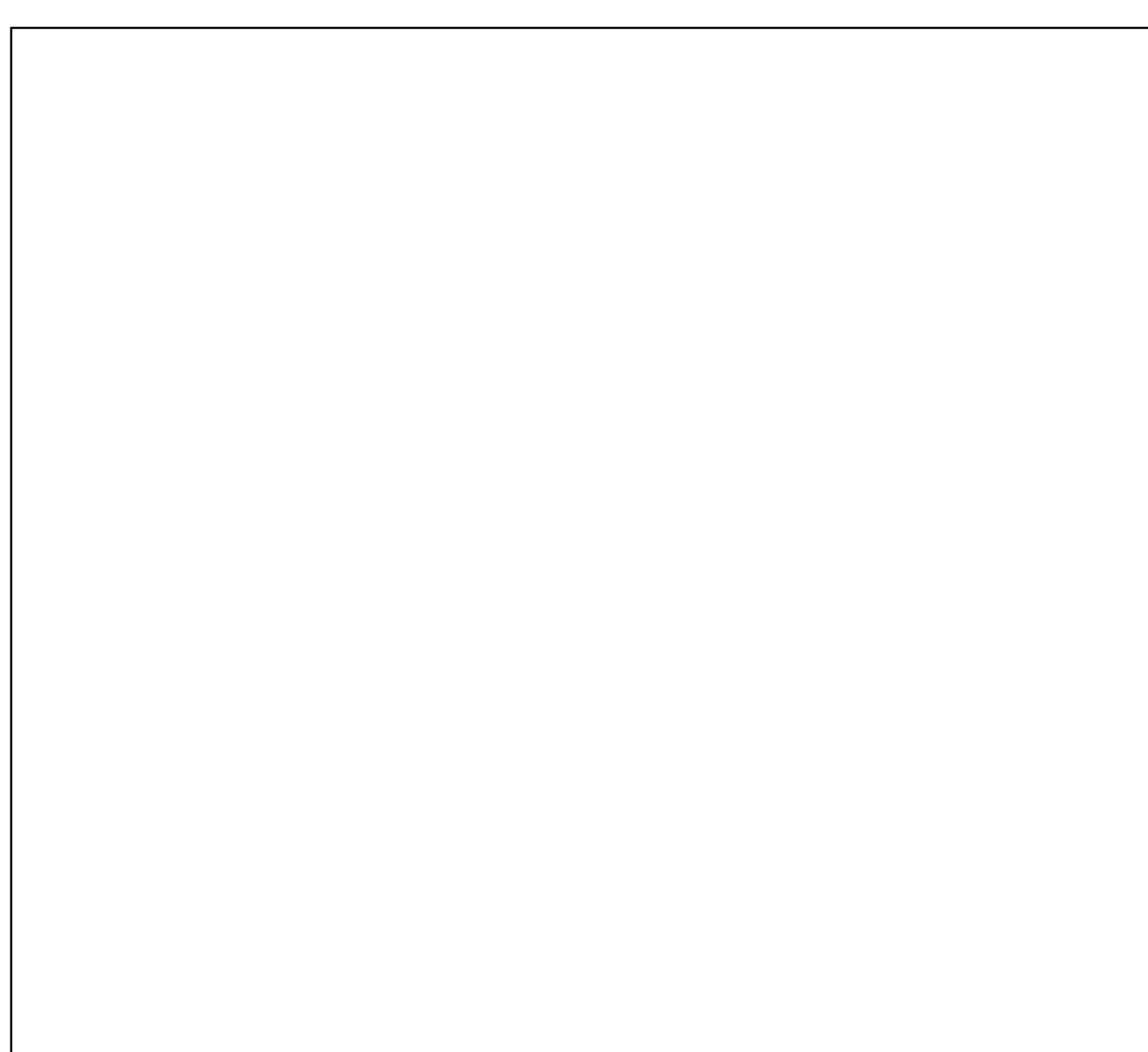
NOT USED

18



NOT USED

19



NOT USED

20

PLAN DETAILS AT CLEARSTORY LEVEL

Drawn by: BF Job Number: 2804.00
Checked by: Scale: 1-1/2" = 1'-0"
Plot Date: Issue Date: 11 AUG 08

A
5.4