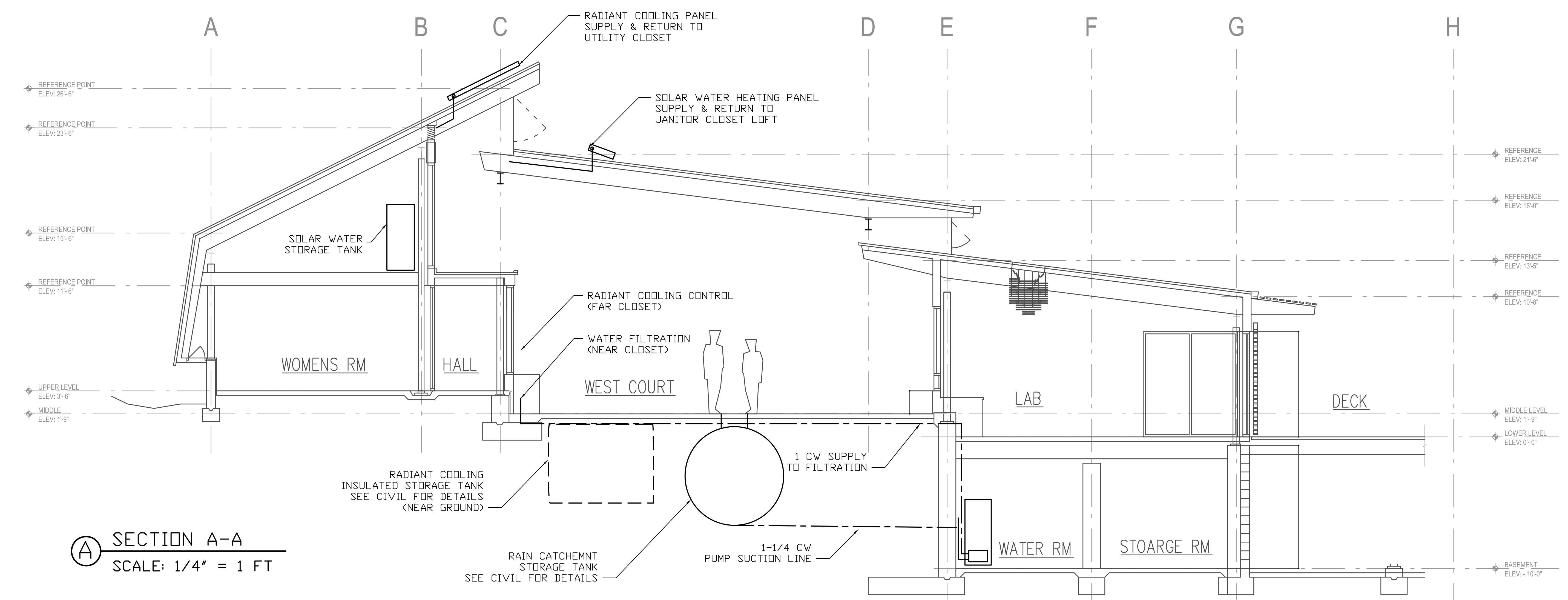
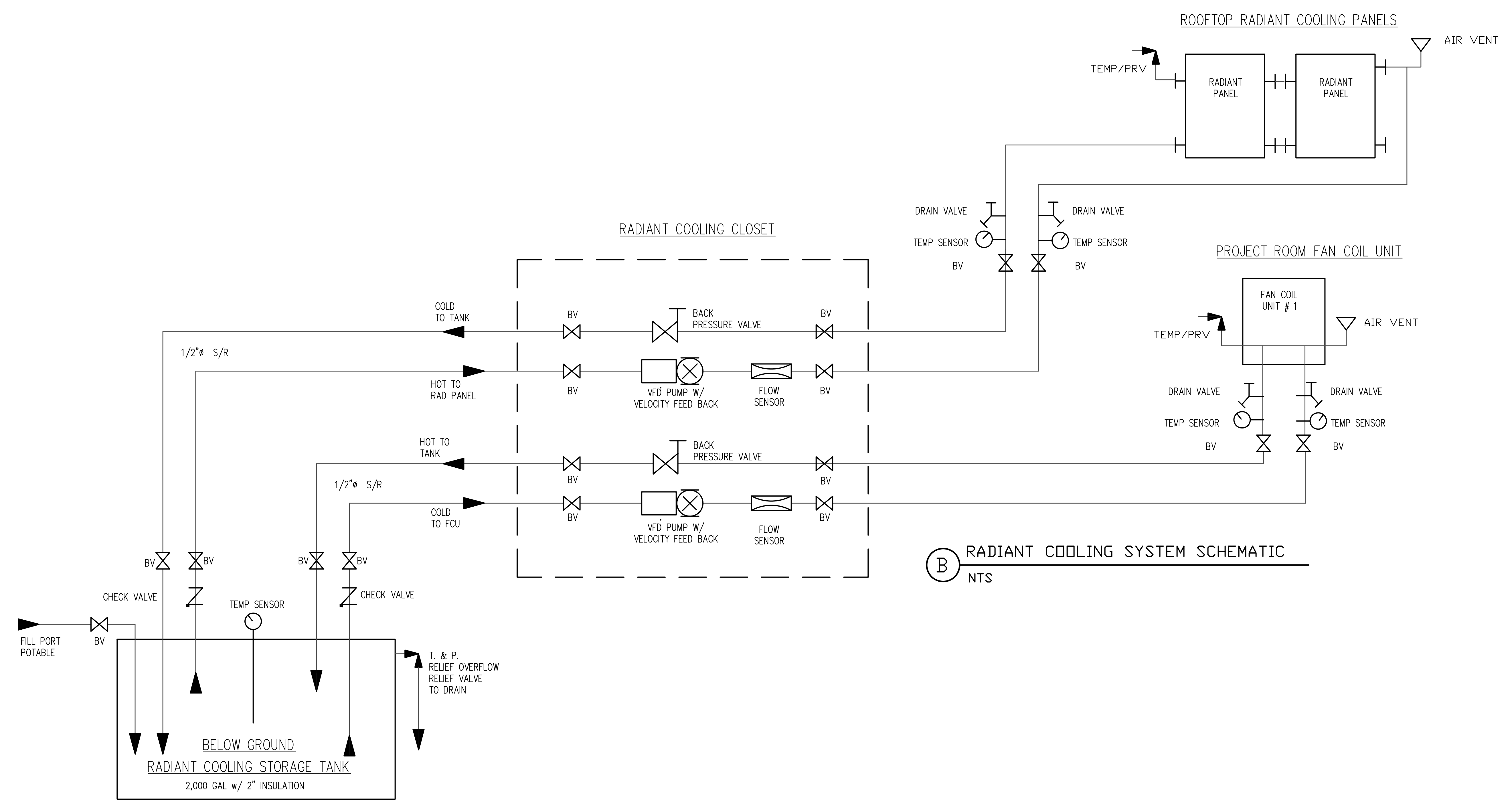


AUGUST 11, 2008  
COORDINATION  
SUBMITTAL



**(A)** SECTION A-A  
SCALE: 1/4" = 1 FT



THIS WORK WAS PREPARED BY ME OR UNDER MY SUPERVISION AND CONSTRUCTION OF THIS PROJECT WILL BE UNDER MY OBSERVATION.

SIGNATURE: \_\_\_\_\_

**HAKALAU ENGINEERING, LLC.**  
PO BOX 252  
HAKALAU, HI 96710  
(808) 961-6202

PROPOSED NEW BUILDING:  
**ENERGY LAB**  
**HAWAII PREPARATORY ACADEMY**  
KAMUELA, HAWAII 96720

THESE DRAWINGS ARE PROPERTY AND COPY-RIGHT OF ENGINEER CHAS CAVEDONI. THE RECIPIENT IS NOT TO COPY, DUPLICATE OR DISCLOSE THE CONTENTS TO ANY PERSON OR ENTITY EXCEPT AS EXPRESSLY AUTHORIZED BY WRITTEN AGREEMENT WITH THE ENGINEER.

DATE ISSUED: XX/XX/XX

DRAWN BY: RH

SHEET NO. **P1.3**

4 OF 6 SHEET